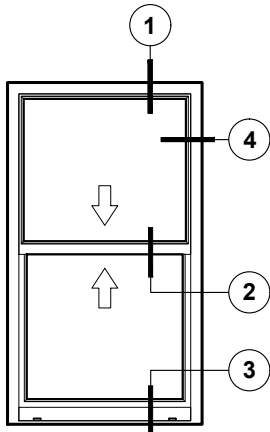
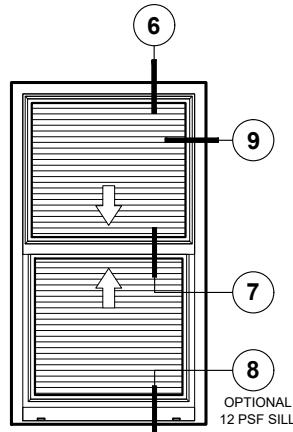


Details shown reflect the most commonly used configurations.
 Contact AWM for additional details and/or assistance.

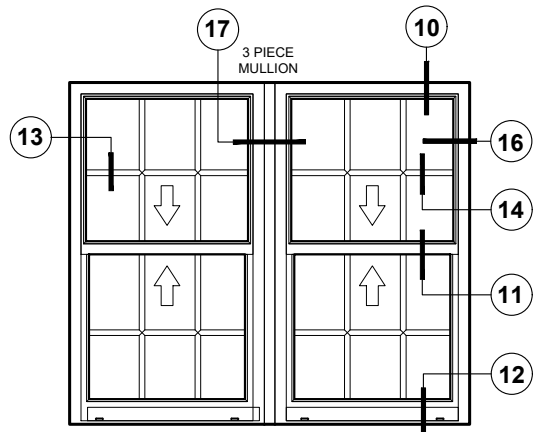
01/07/24



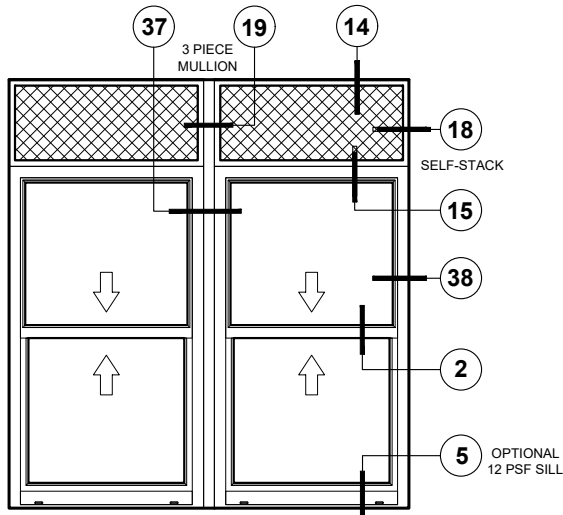
INSULATED GLASS



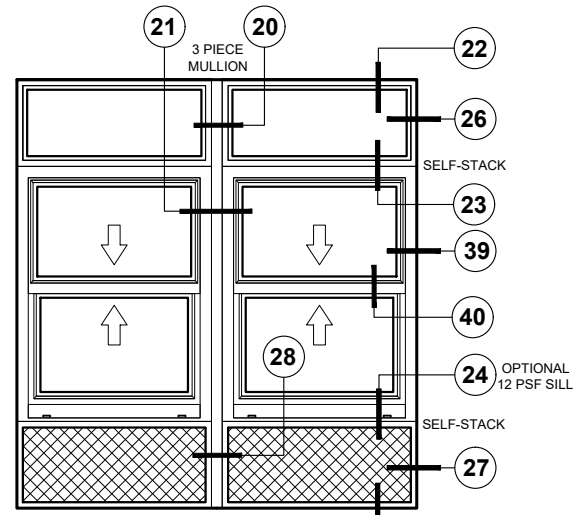
DUAL GLAZING
 5/8" INTEGRAL BLINDS



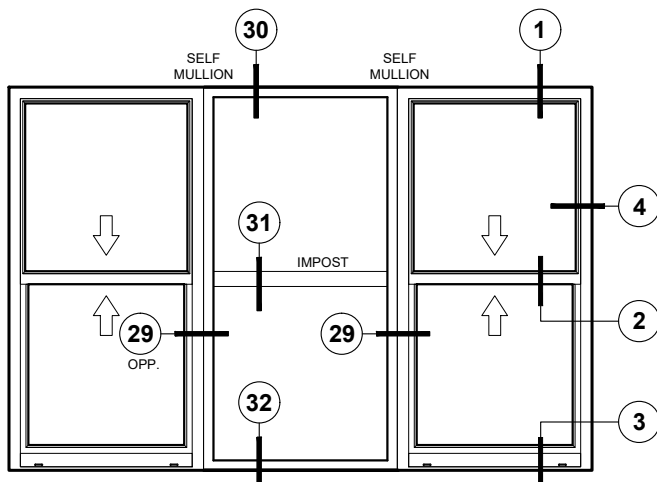
INSULATED GLASS
 EXTERIOR APPLIED COLONIAL MUNTINS



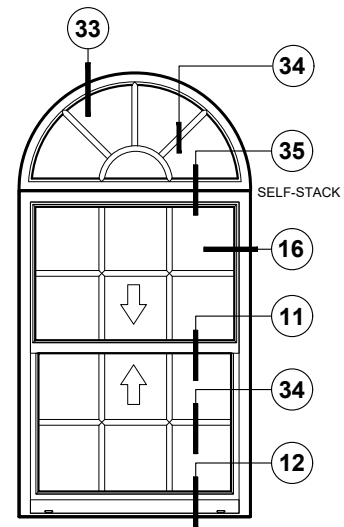
INSULATED GLASS
 UPPER INTERIOR GLAZED 1" TRANSM PANEL



DUAL GLAZED
 UPPER INTERIOR GLAZED TRANSM
 LOWER EXTERIOR GLAZED 2" TRANSM PANELS



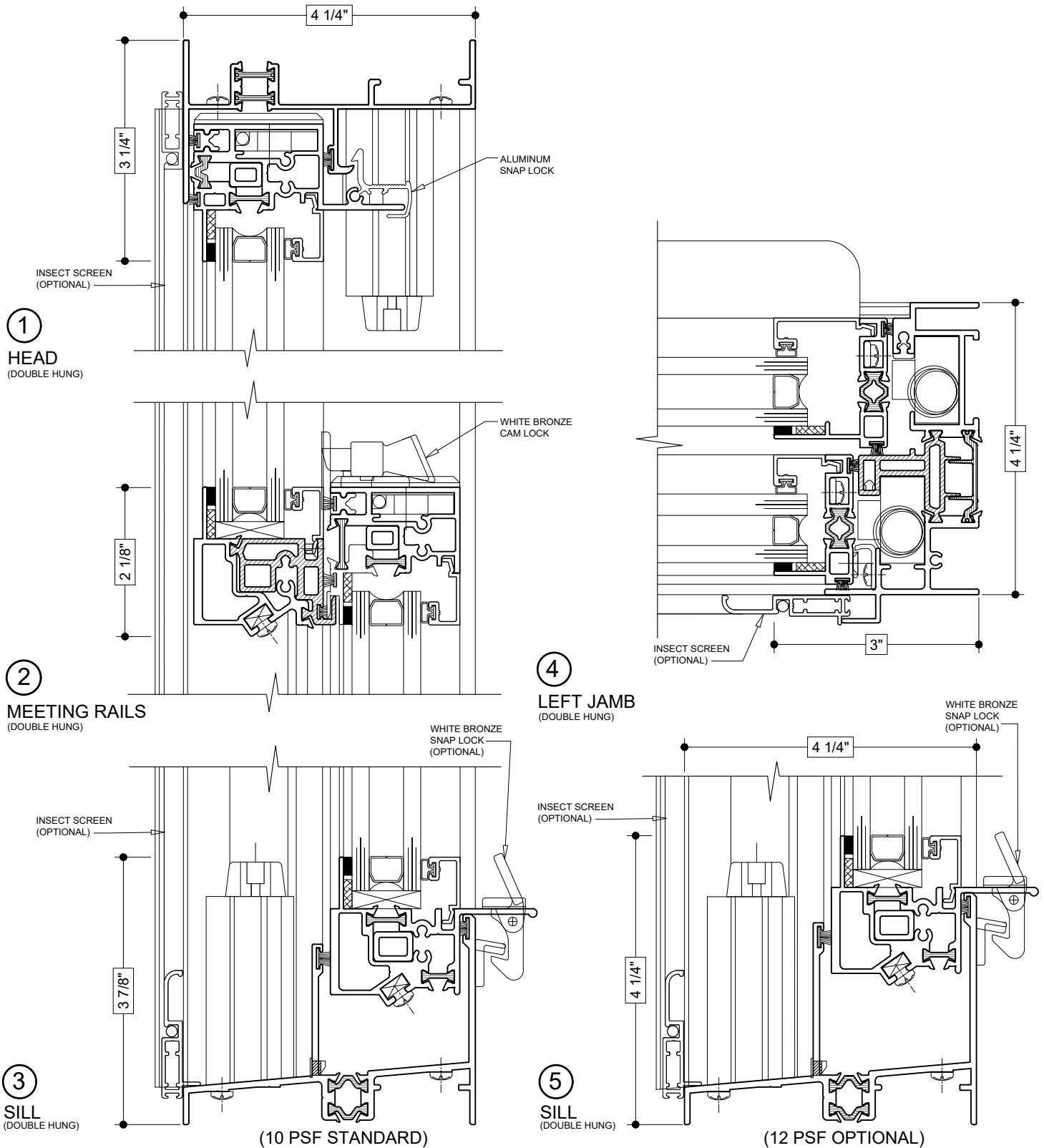
INSULATED GLASS
 DOUBLE HUNG & FIXED LITES



INSULATED GLASS
 EXTERIOR APPLIED TRAPEZOIDAL MUNTINS

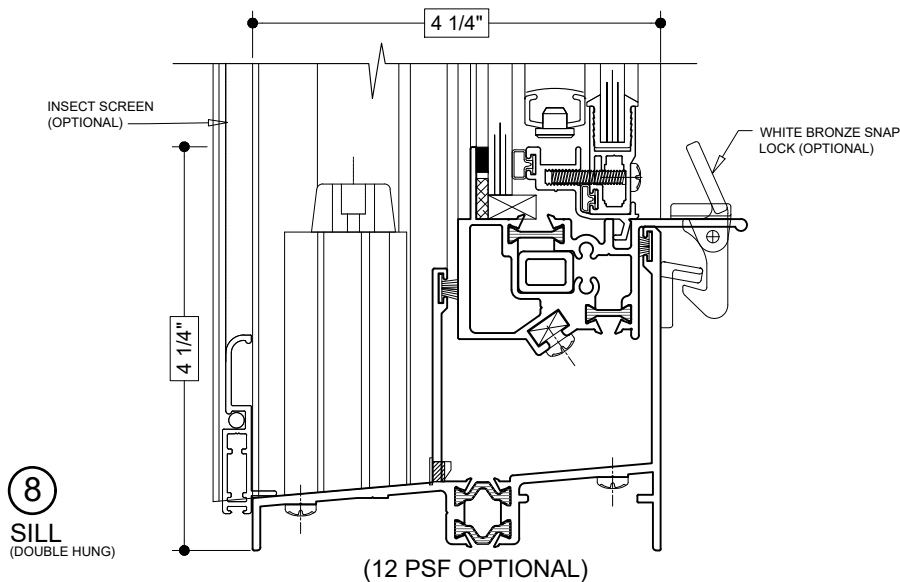
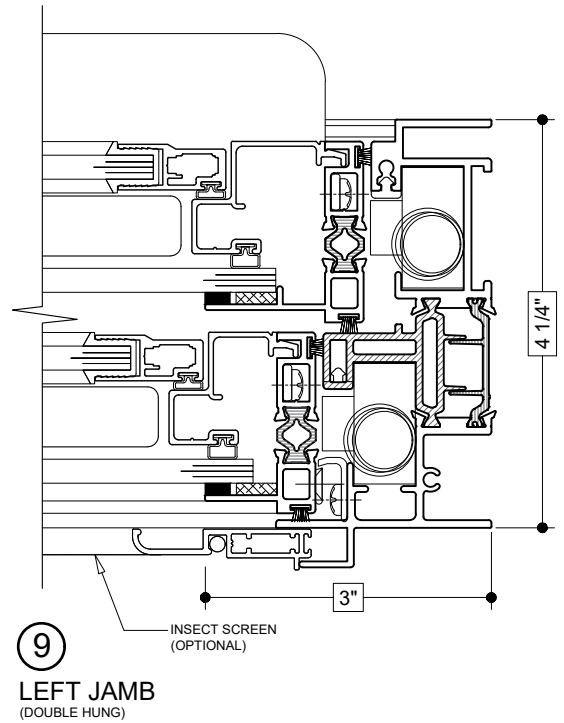
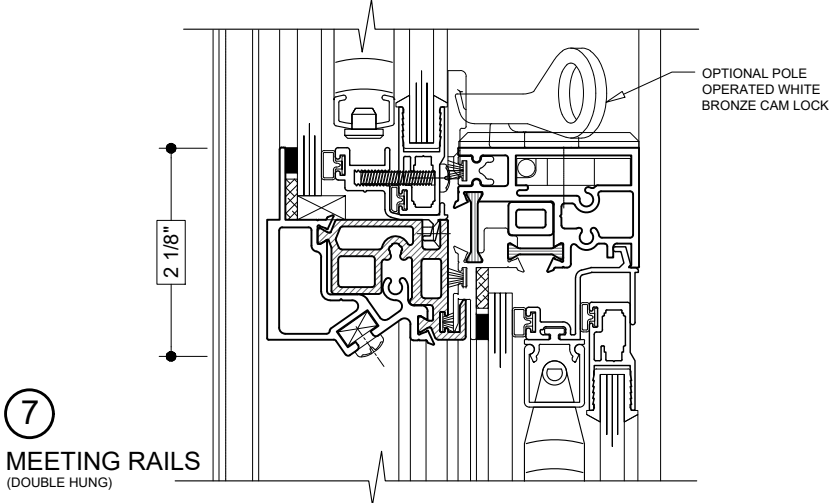
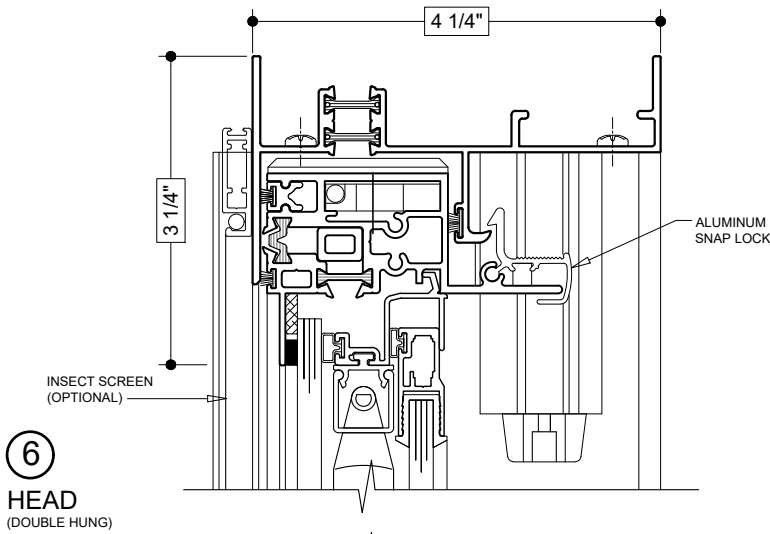
Details shown reflect the most commonly used configurations.
Contact AWM for additional details and/or assistance.

01/07/24



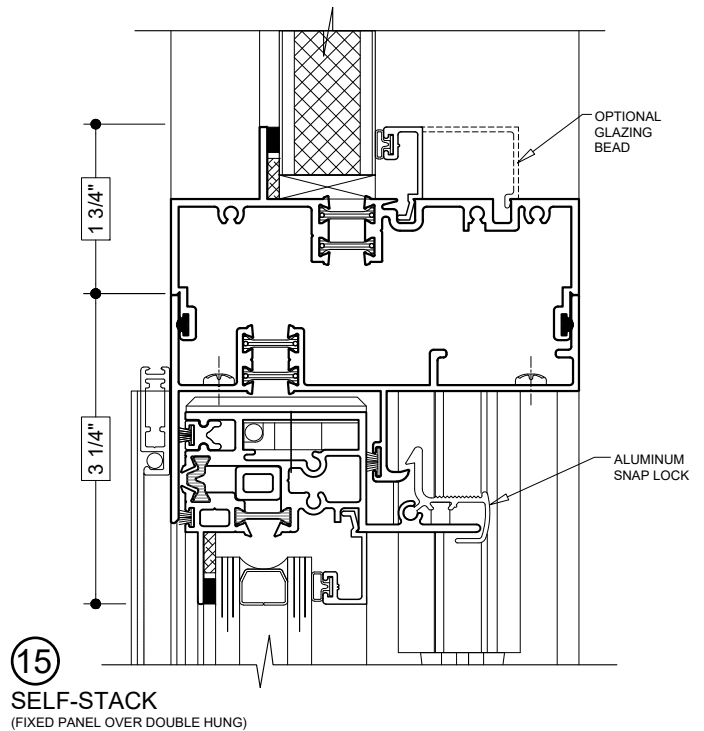
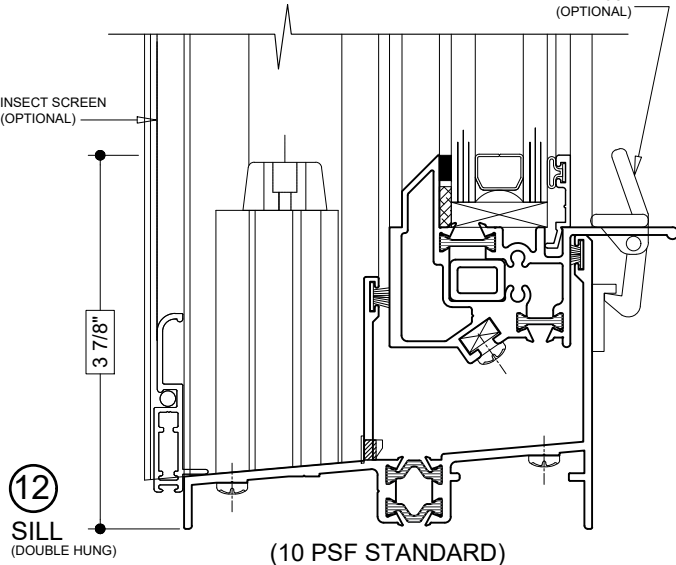
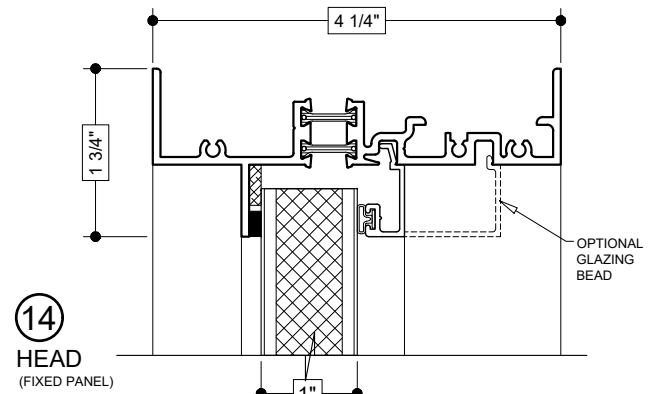
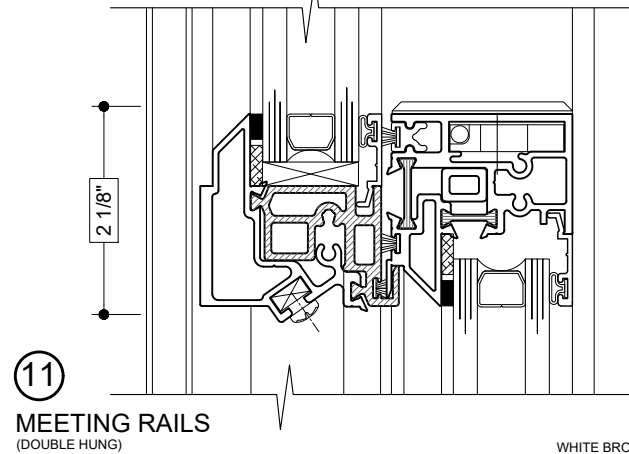
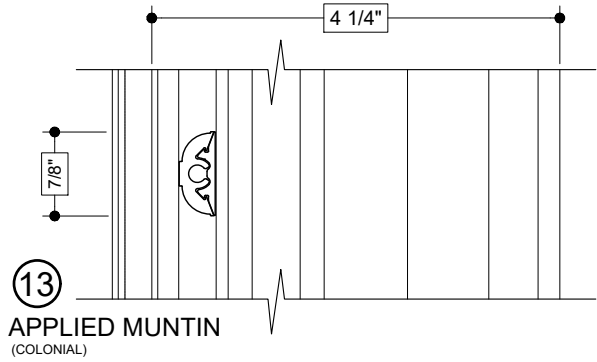
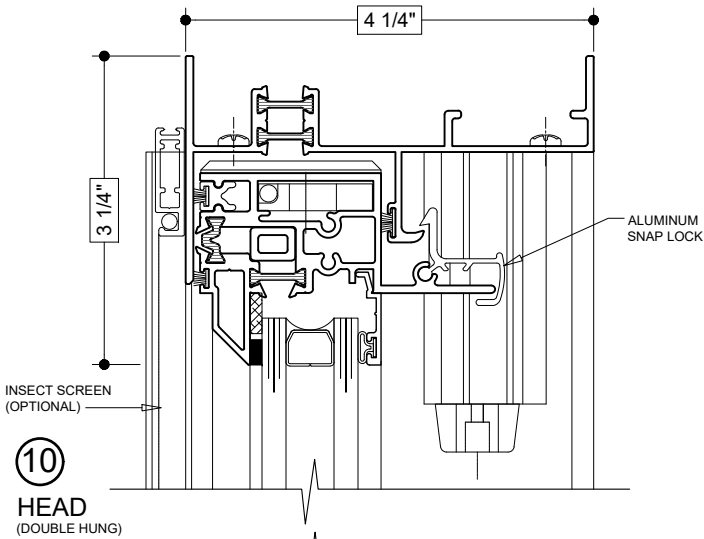
Details shown reflect the most commonly used configurations.
 Contact AWM for additional details and/or assistance.

01/07/24



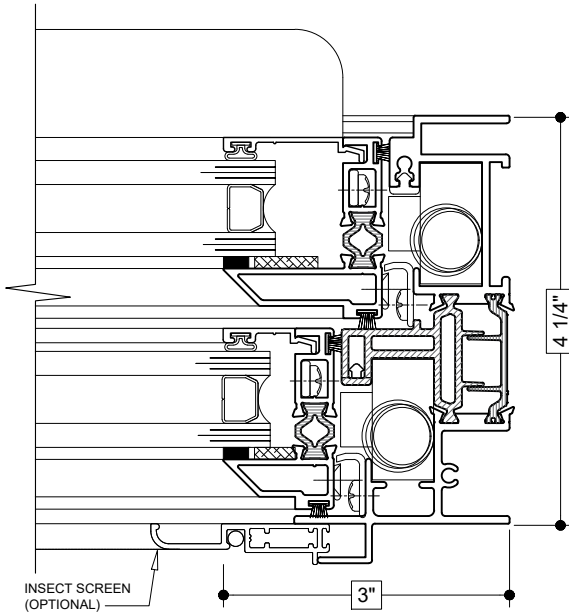
Details shown reflect the most commonly used configurations.
 Contact AWM for additional details and/or assistance.

01/07/24

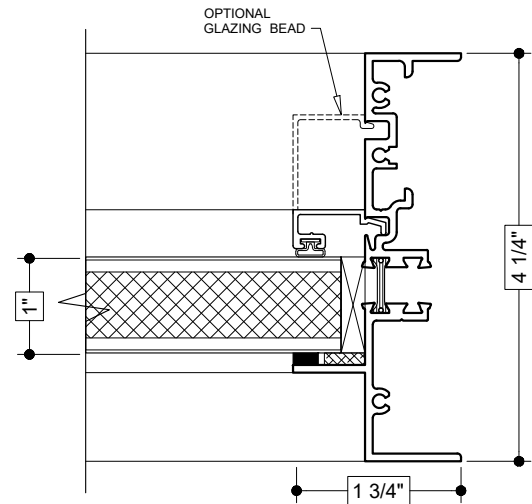


Details shown reflect the most commonly used configurations.
 Contact AWM for additional details and/or assistance.

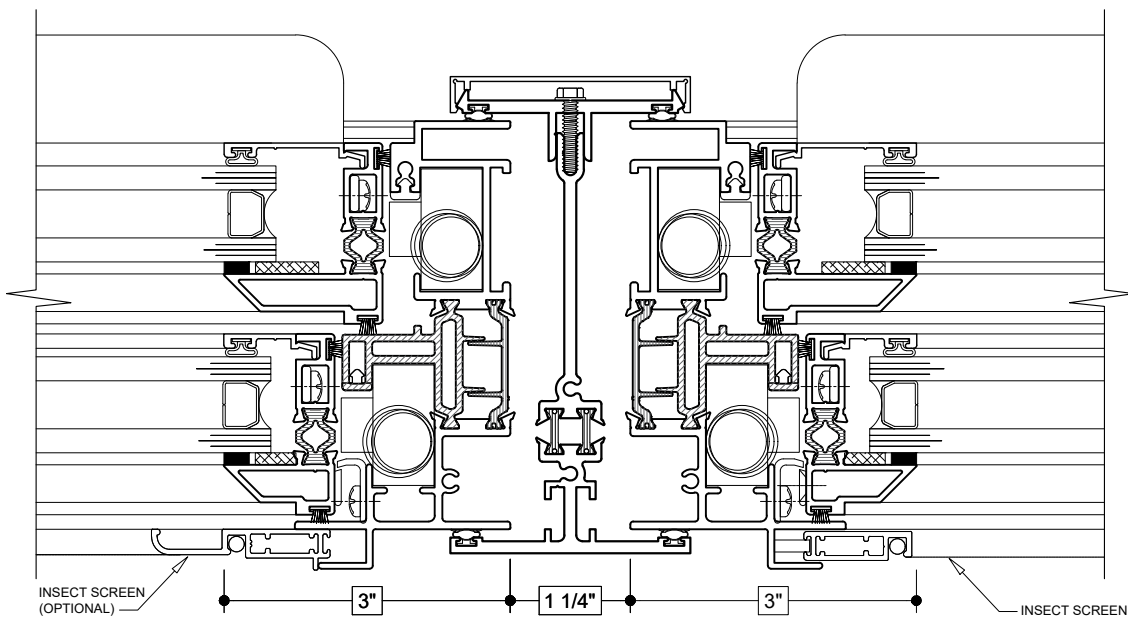
01/07/24



16
RIGHT JAMB
 (DOUBLE HUNG)



18
RIGHT JAMB
 (FIXED PANEL)

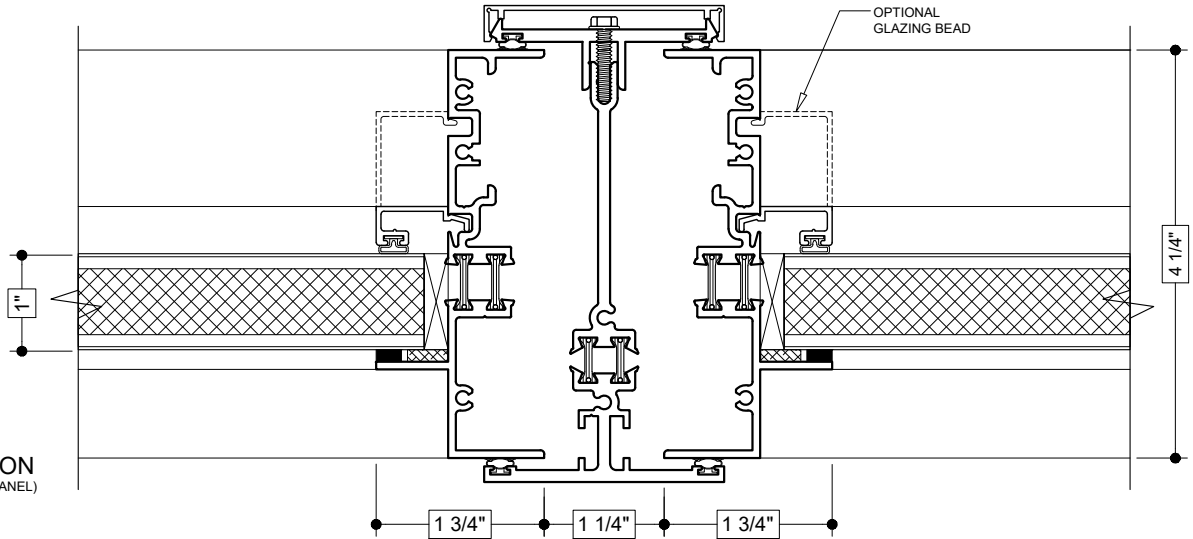


17
3-PIECE MULLION
 (DOUBLE HUNG TO DOUBLE HUNG)

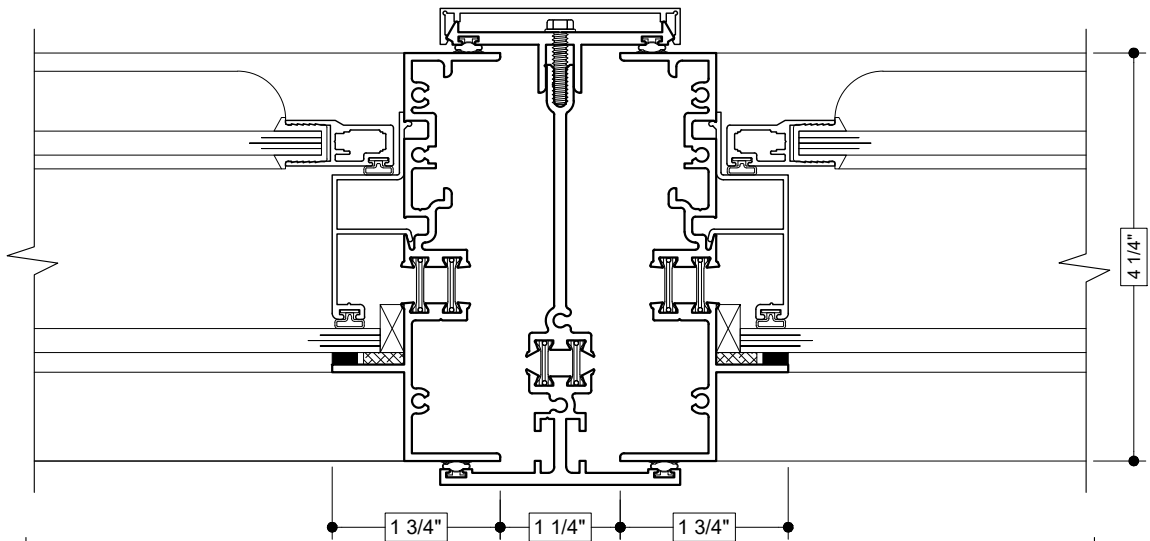
Details shown reflect the most commonly used configurations.
Contact AWM for additional details and/or assistance.

01/07/24

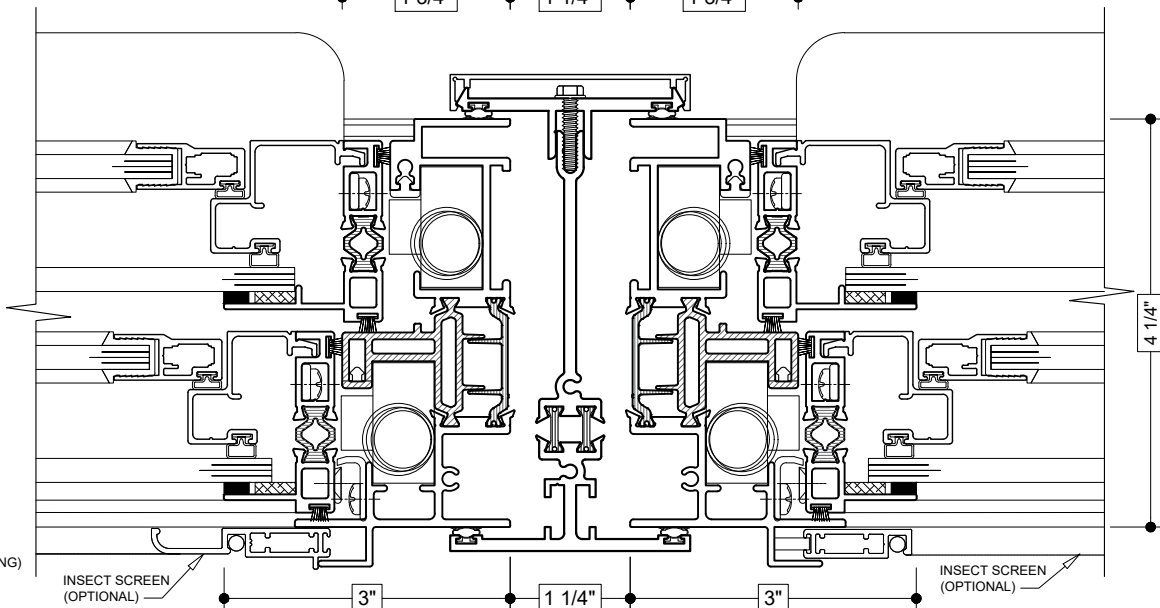
19
3-PIECE MULLION
(FIXED PANEL TO FIXED PANEL)



20
3-PIECE MULLION
(FIXED TO FIXED)

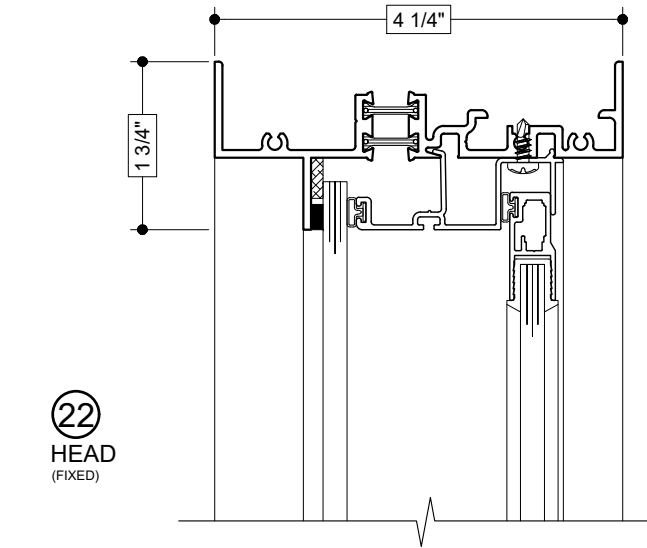


21
3-PIECE MULLION
(DOUBLE HUNG TO DOUBLE HUNG)

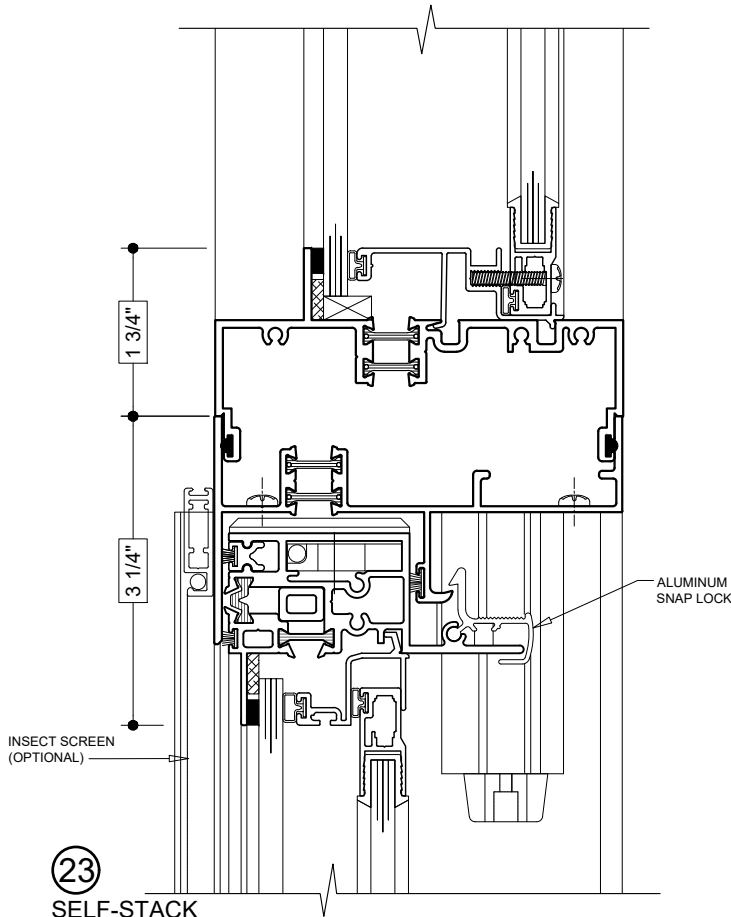


Details shown reflect the most commonly used configurations.
 Contact AWM for additional details and/or assistance.

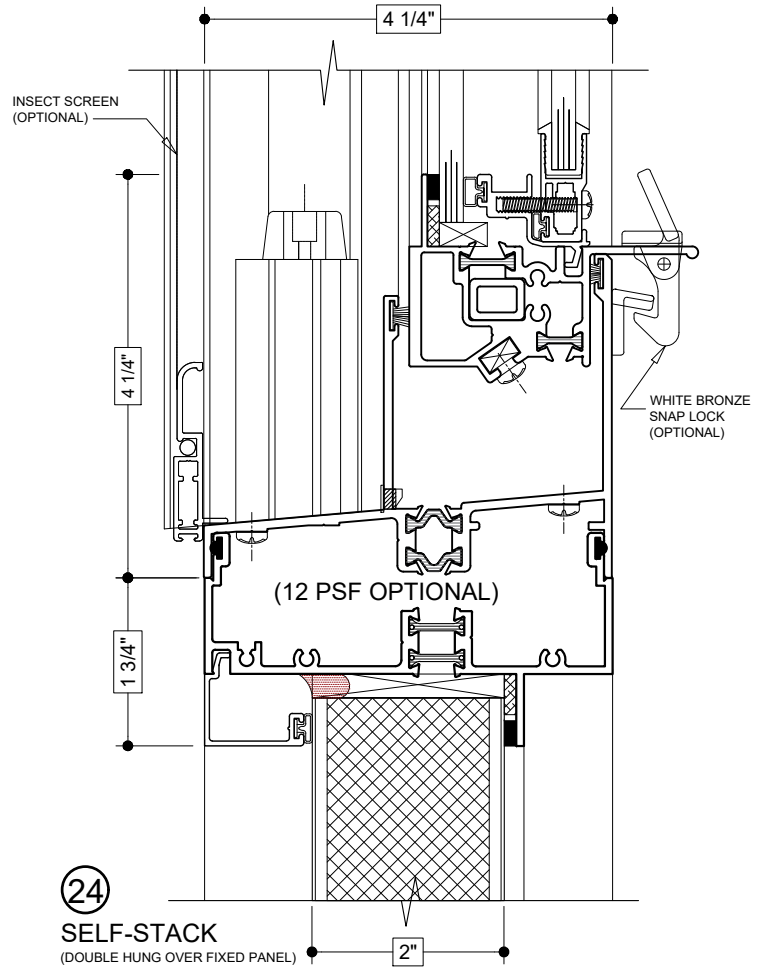
01/07/24



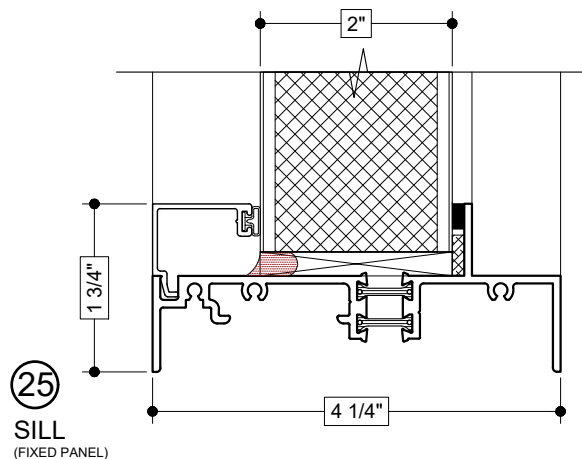
22
HEAD
 (FIXED)



23
SELF-STACK
 (FIXED PANEL OVER DOUBLE HUNG)



24
SELF-STACK
 (DOUBLE HUNG OVER FIXED PANEL)

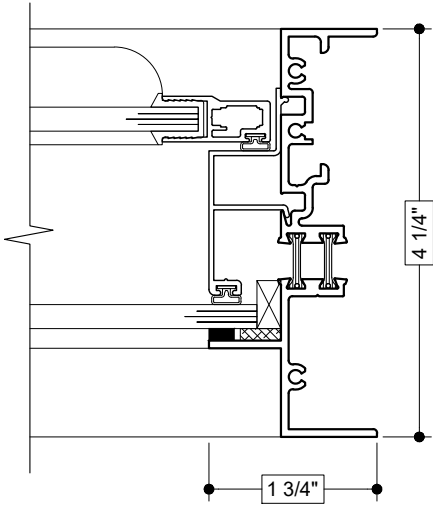


25
SILL
 (FIXED PANEL)

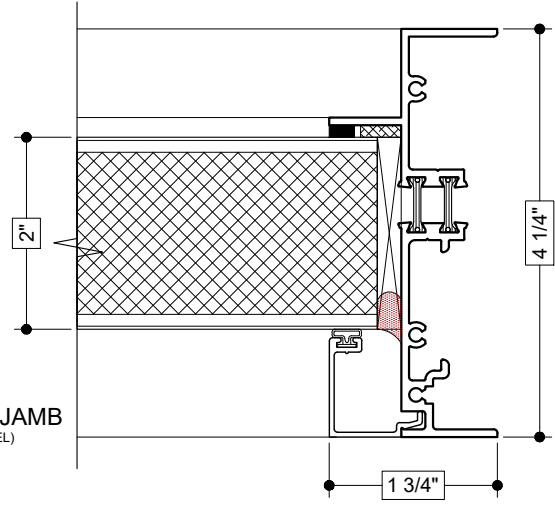
Details shown reflect the most commonly used configurations.
Contact AWM for additional details and/or assistance.

01/07/24

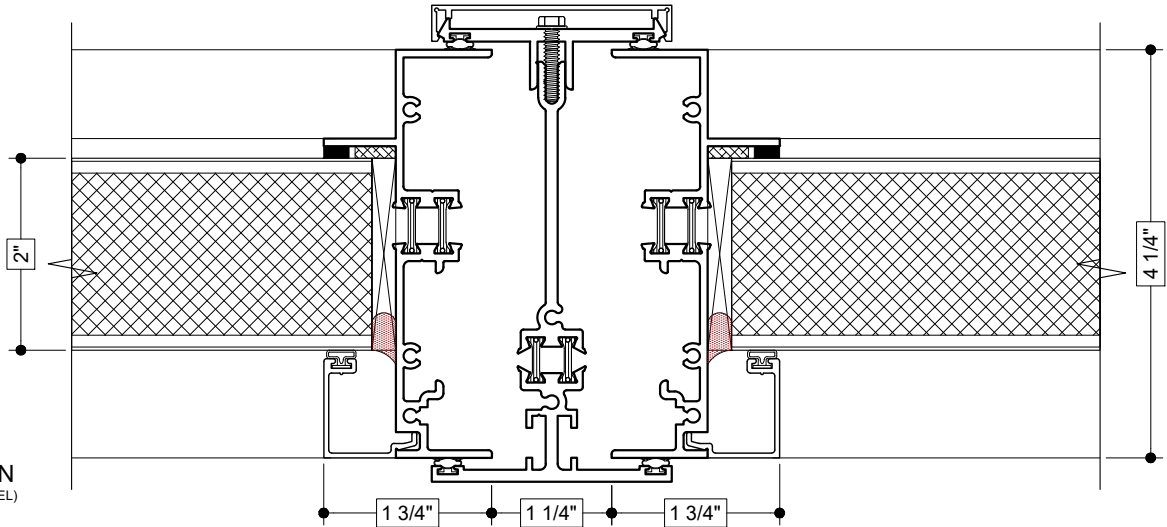
26
RIGHT JAMB
(FIXED)



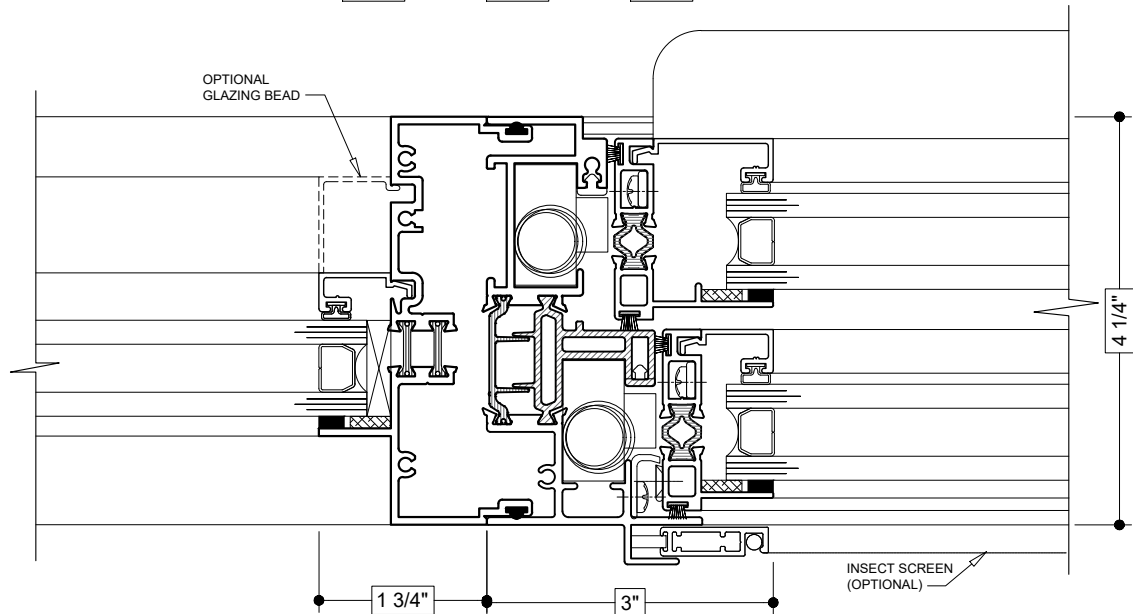
27
RIGHT JAMB
(FIXED PANEL)



28
3-PIECE MULLION
(FIXED PANEL TO FIXED PANEL)

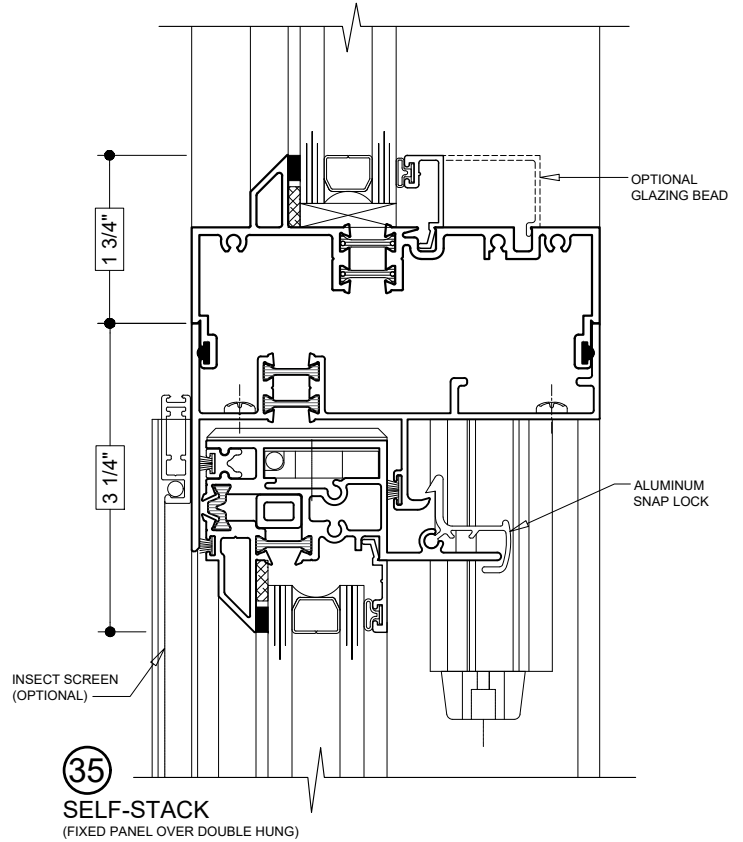
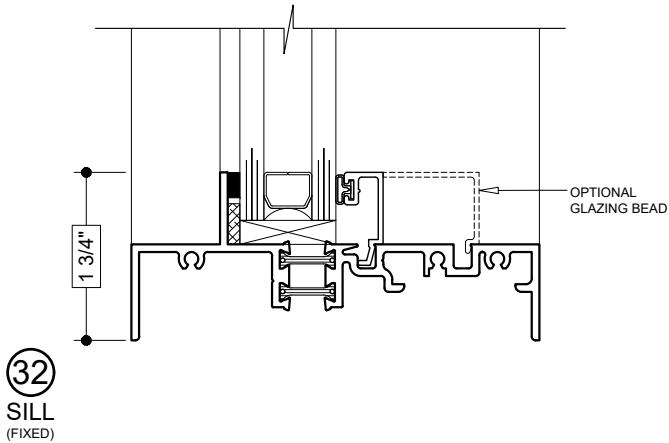
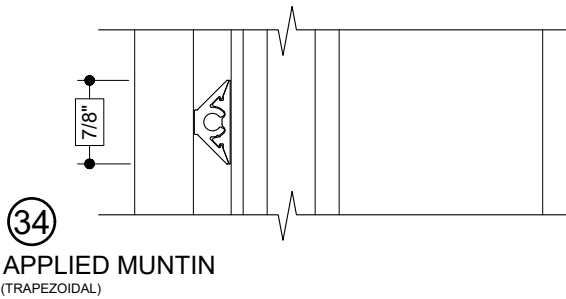
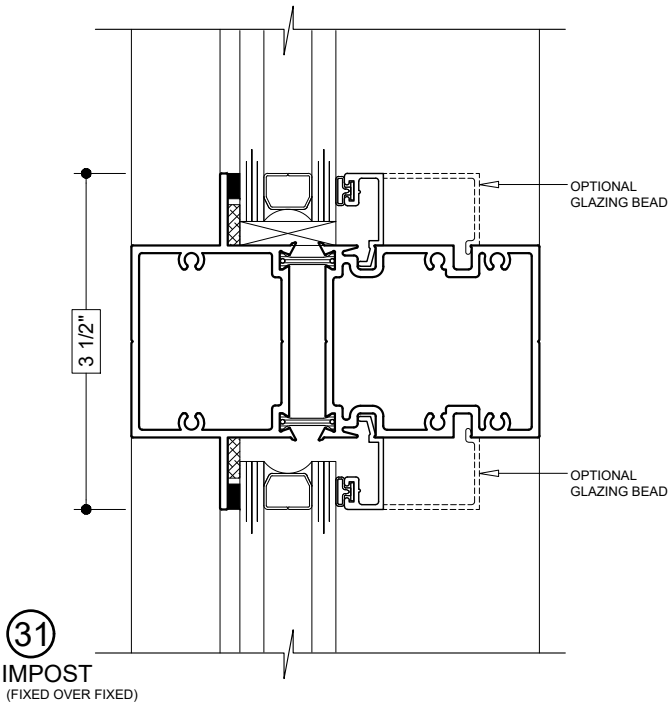
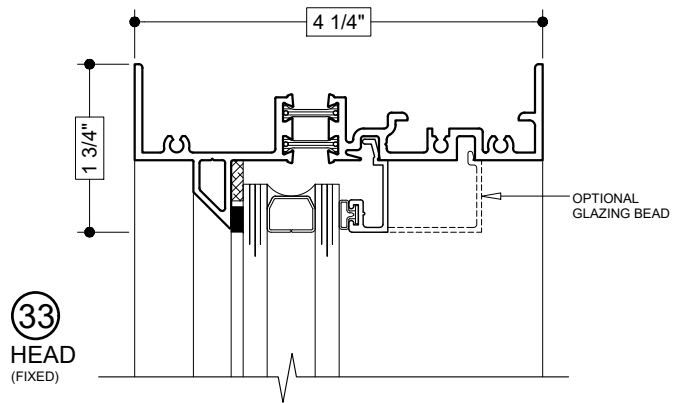
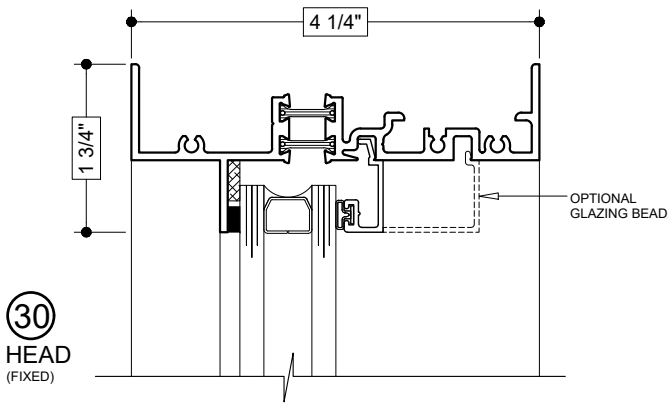


29
SELF-MULLION
(FIXED TO DOUBLE HUNG)



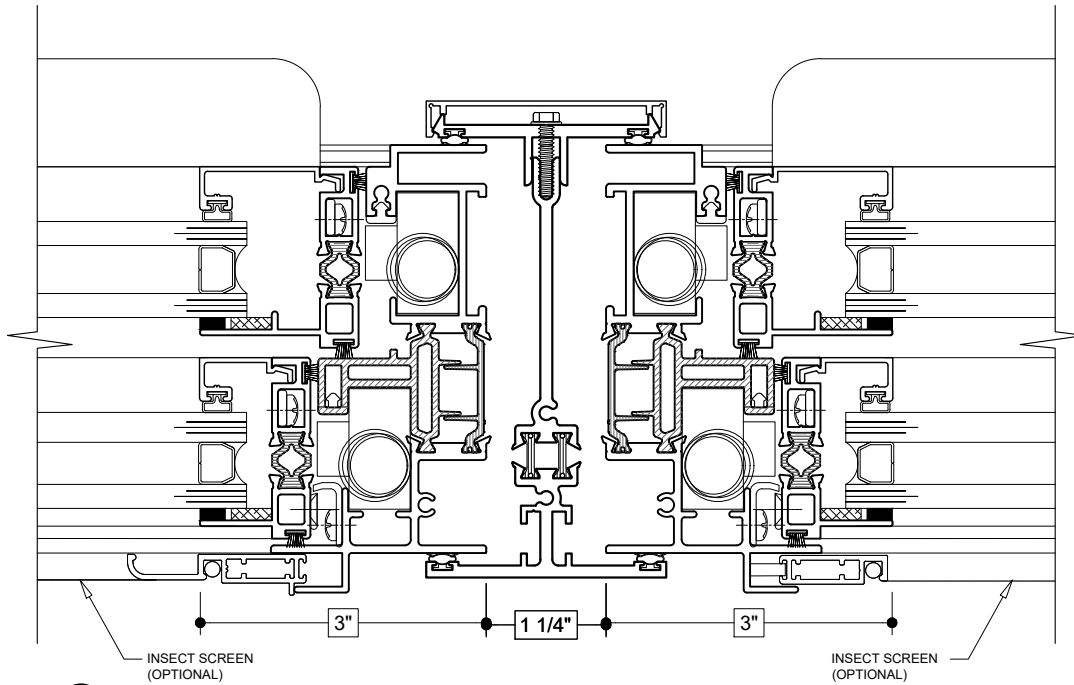
Details shown reflect the most commonly used configurations.
 Contact AWM for additional details and/or assistance.

01/07/24

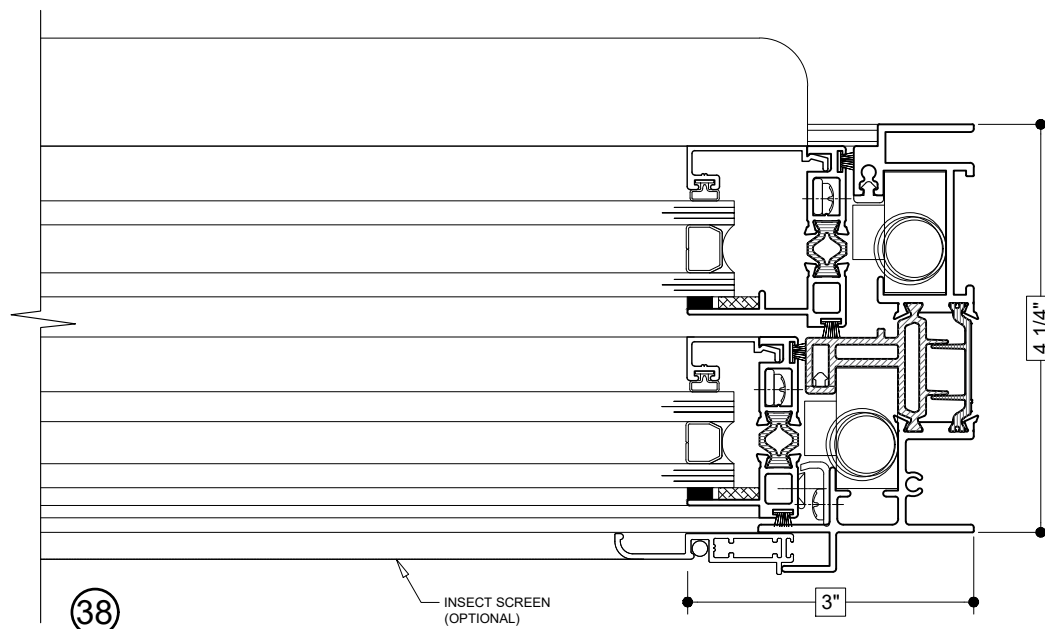


Details shown reflect the most commonly used configurations.
 Contact AWM for additional details and/or assistance.

01/07/24



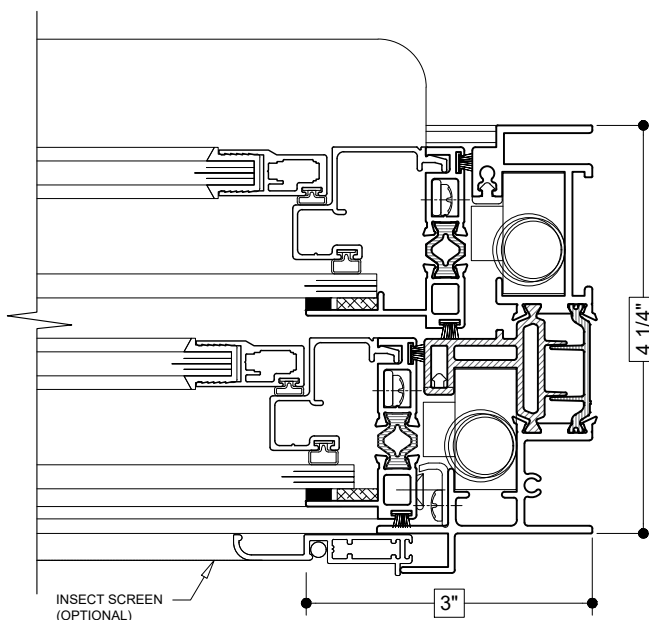
37
3-PIECE MULLION
 (DOUBLE HUNG TO DOUBLE HUNG)



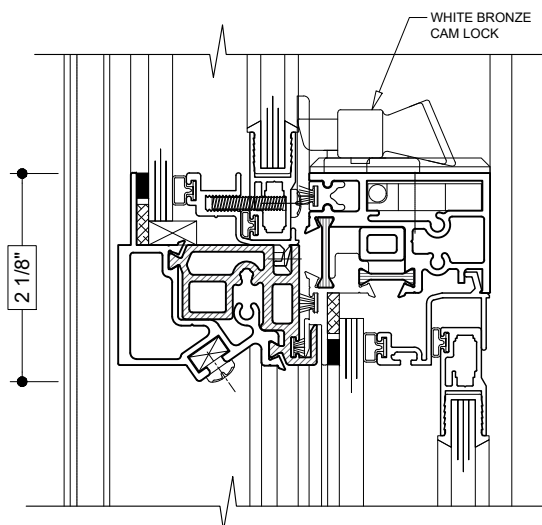
38
RIGHT JAMB
 (DOUBLE HUNG)

Details shown reflect the most commonly used configurations.
 Contact AWM for additional details and/or assistance.

01/07/24



39
LEFT JAMB
 (DOUBLE HUNG)



40
MEETING RAILS
 (DOUBLE HUNG)

Details shown reflect the most commonly used configurations.
 Contact AWM for additional details and/or assistance.

01/07/24

