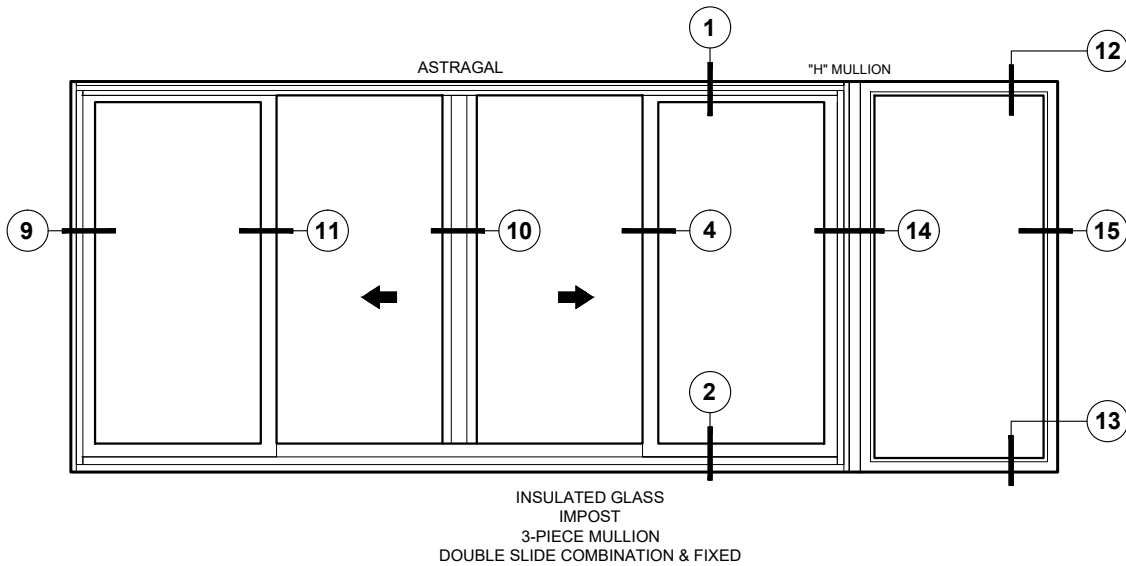
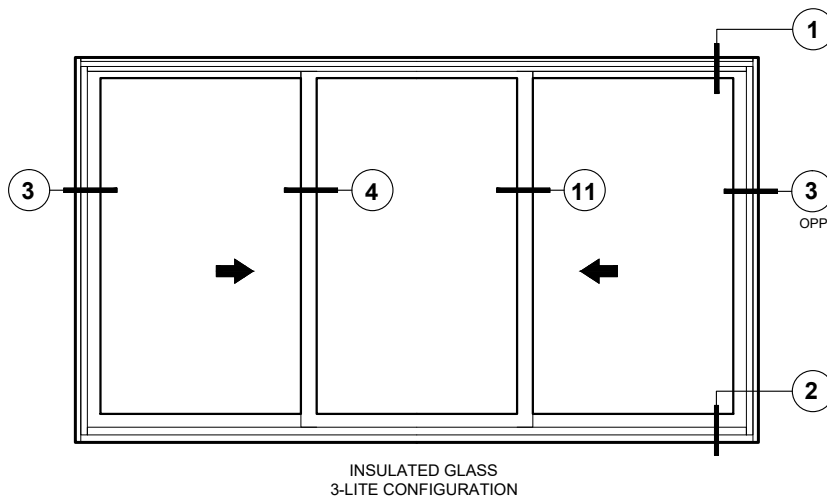
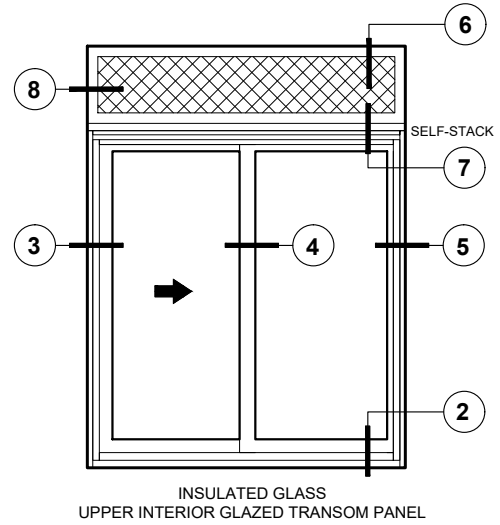
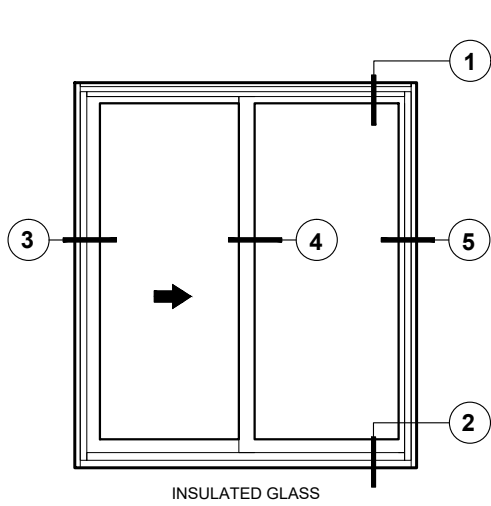


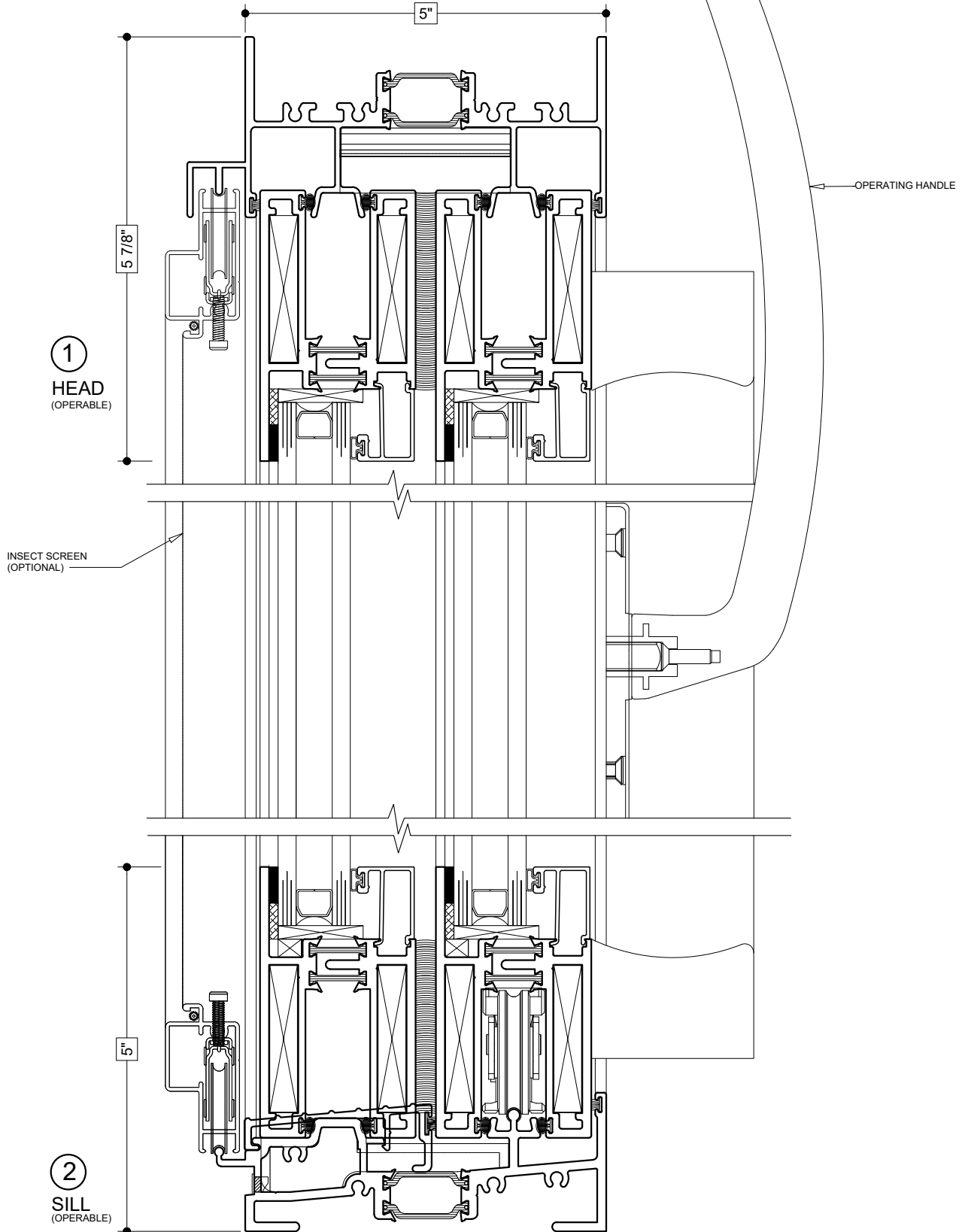
Details shown reflect the most commonly used configurations.
 Contact AWM for additional details and/or assistance.

03/21/19



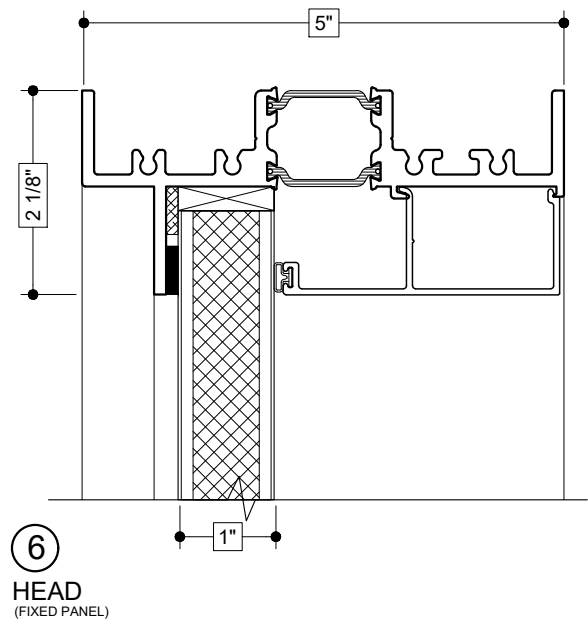
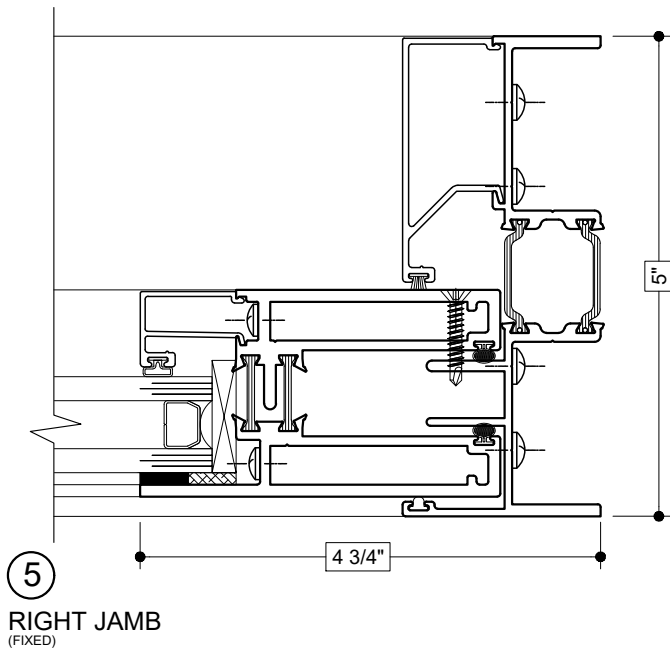
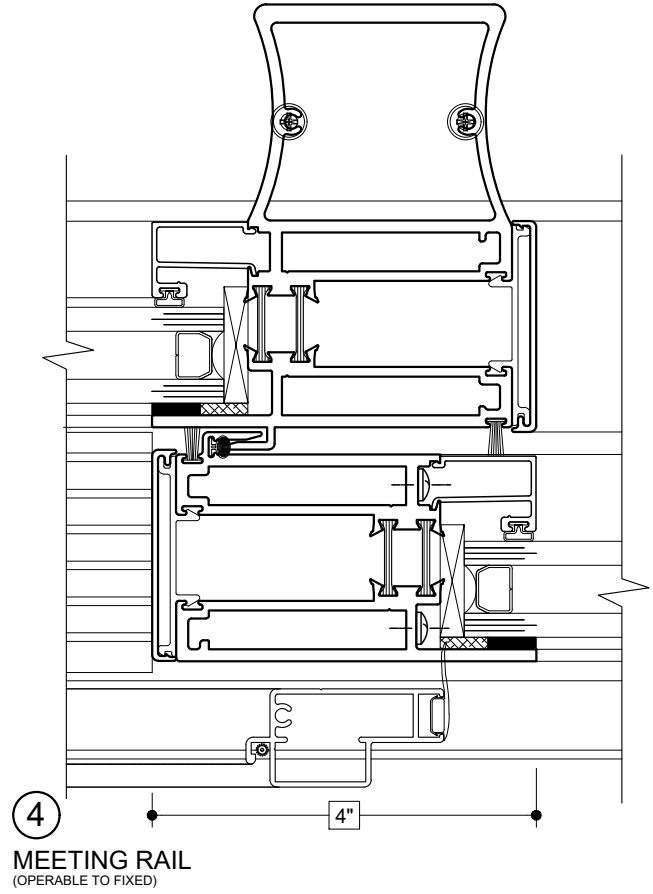
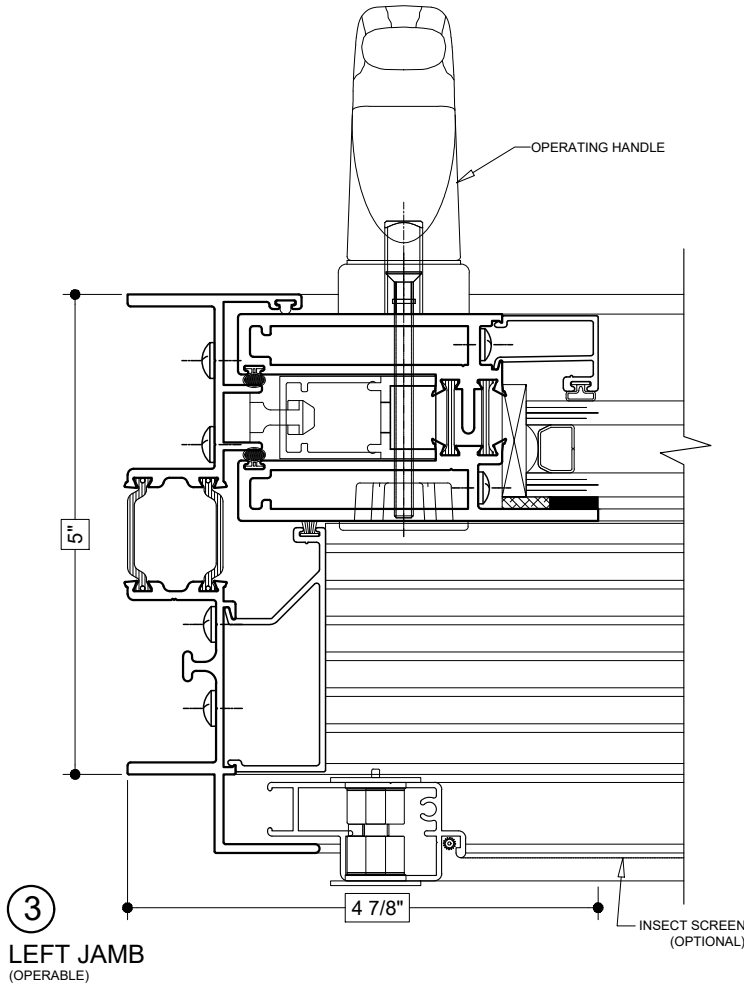
Details shown reflect the most commonly used configurations.
 Contact AWM for additional details and/or assistance.

03/21/19



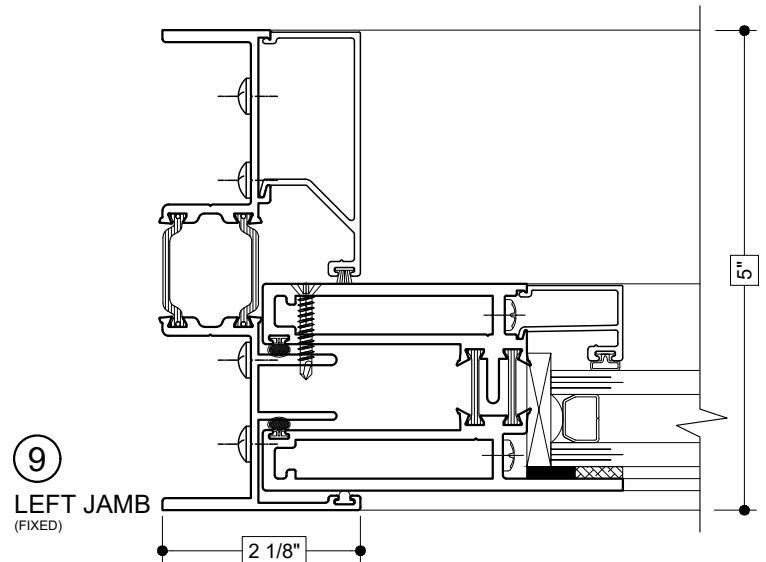
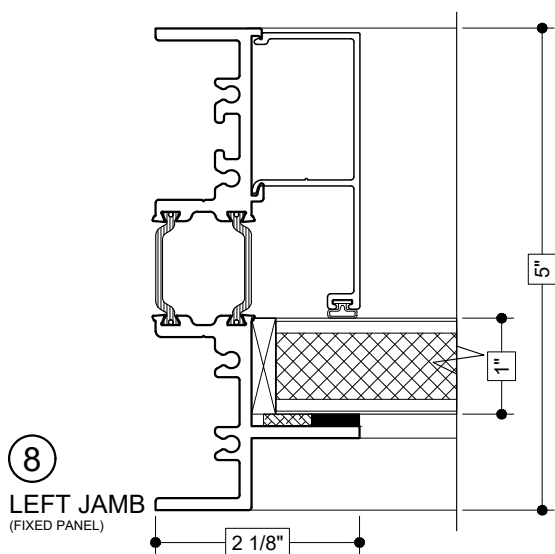
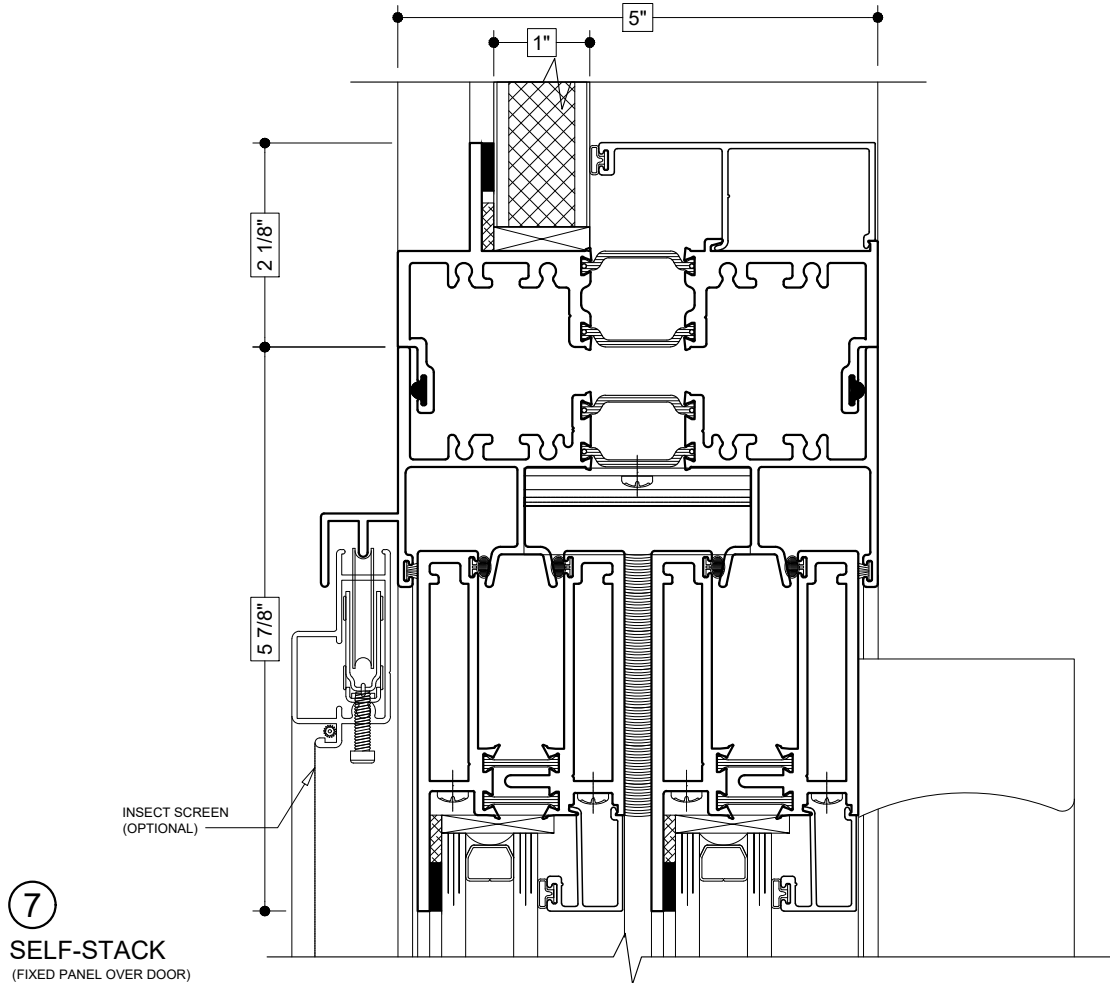
Details shown reflect the most commonly used configurations.
 Contact AWM for additional details and/or assistance.

03/21/19



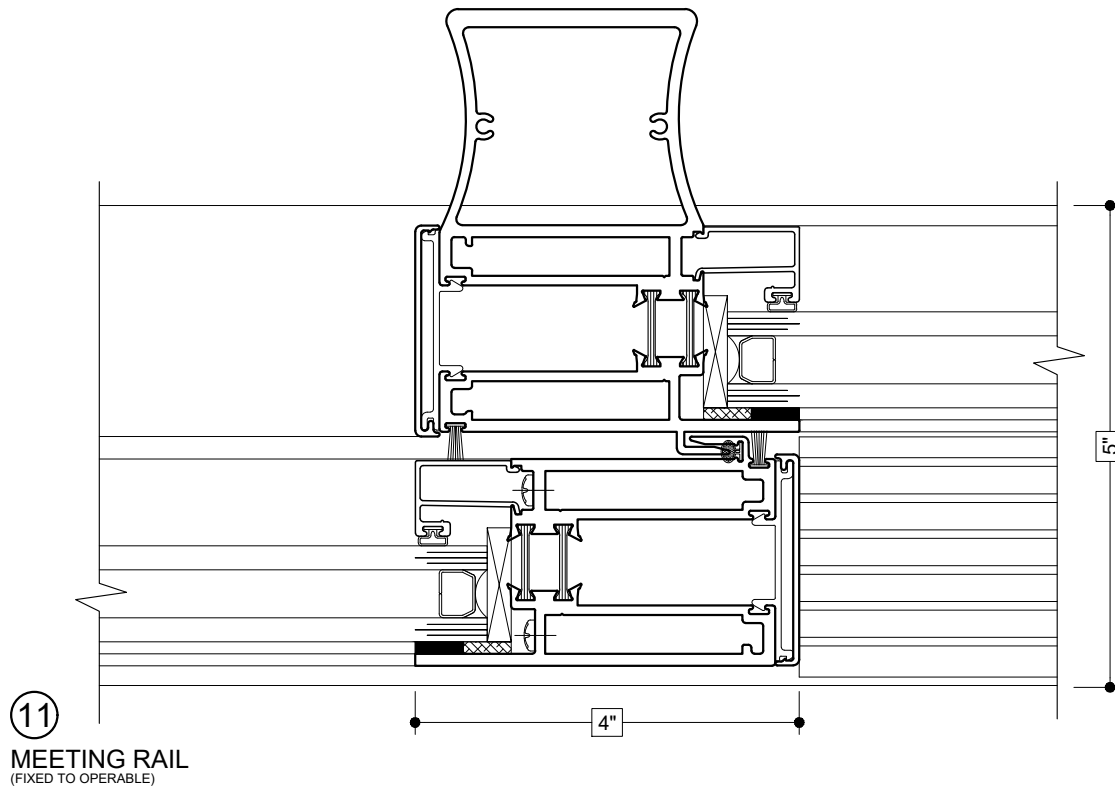
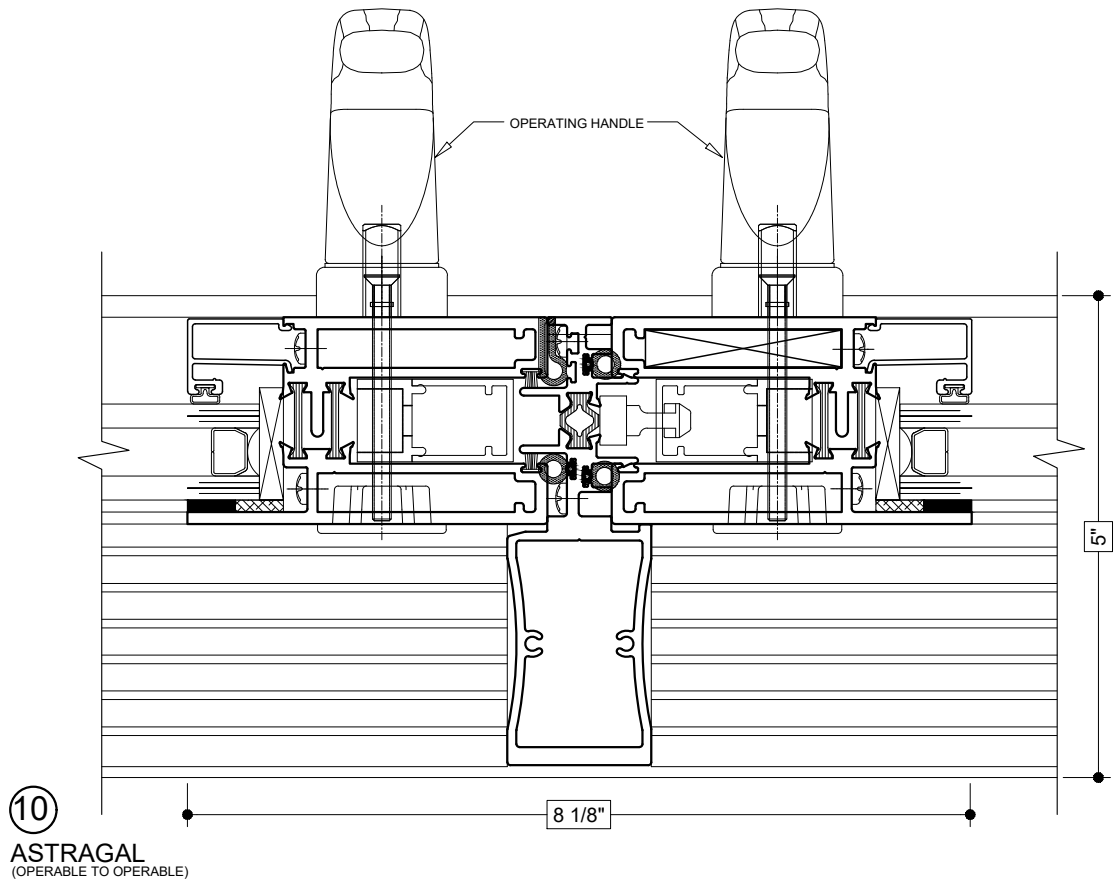
Details shown reflect the most commonly used configurations.
 Contact AWM for additional details and/or assistance.

03/21/19



Details shown reflect the most commonly used configurations.
 Contact AWM for additional details and/or assistance.

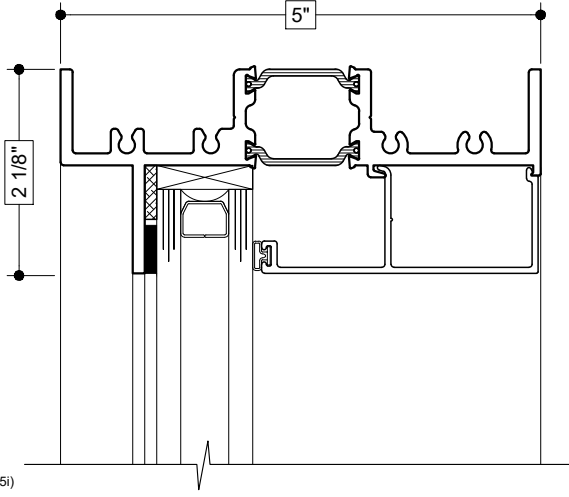
03/21/19



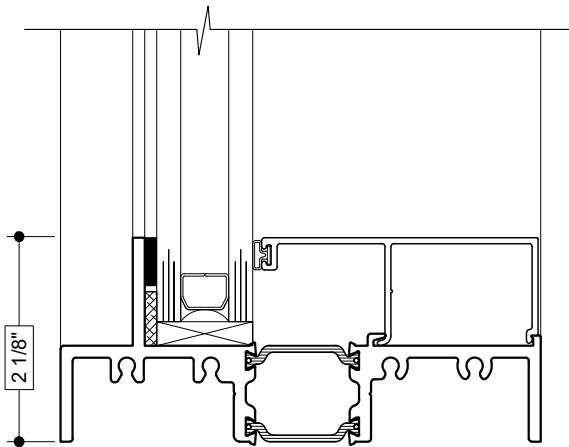
Details shown reflect the most commonly used configurations.
 Contact AWM for additional details and/or assistance.

03/21/19

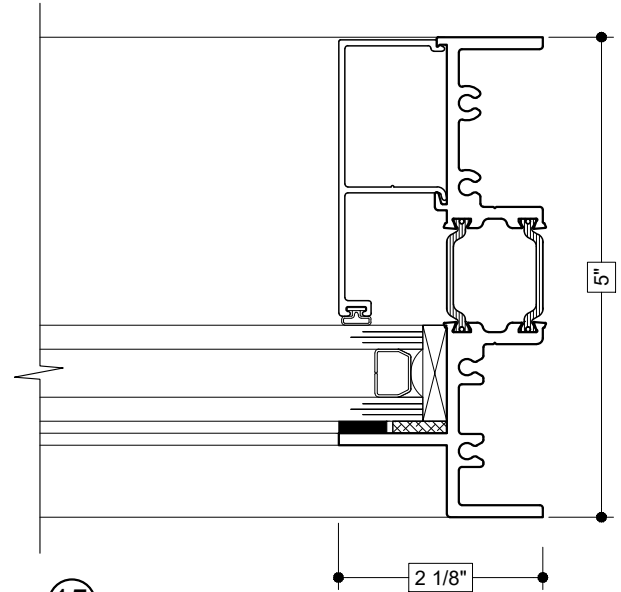
12
HEAD
 (FIXED)
 (REFER TO SERIES 8975i)



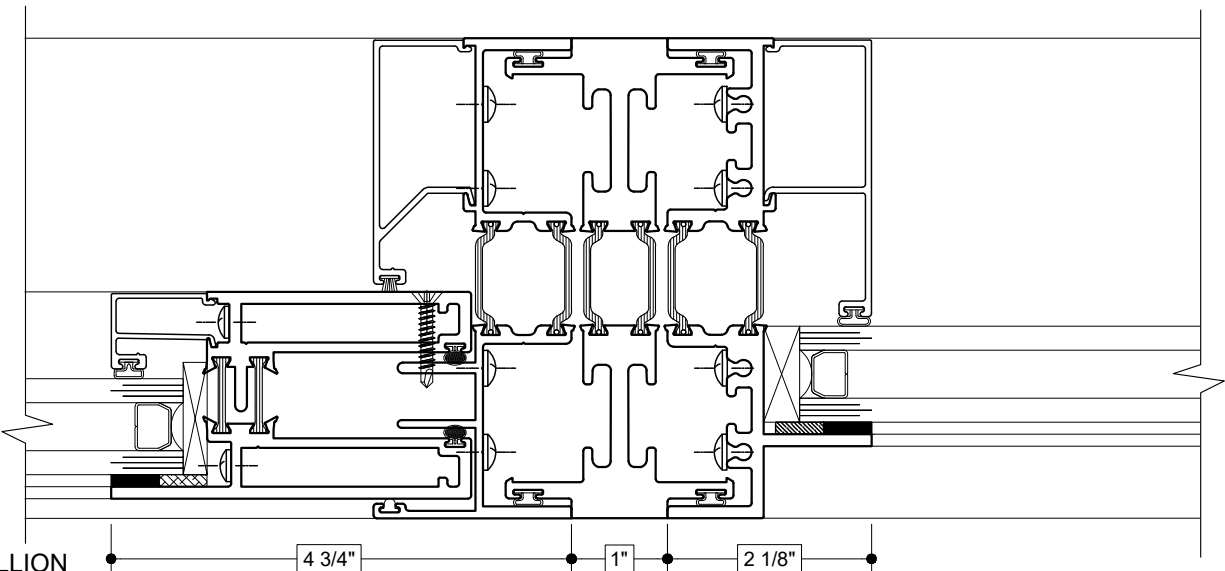
13
SILL
 (FIXED)
 (REFER TO SERIES 8975i)



15
RIGHT JAMB
 (FIXED)
 (REFER TO SERIES 8975i)



14
2 PIECE MULLION
 (FIXED TO FIXED)



Details shown reflect the most commonly used configurations.
 Contact AWM for additional details and/or assistance.

03/21/19

OPTIONAL RETURN LEG FRAME

