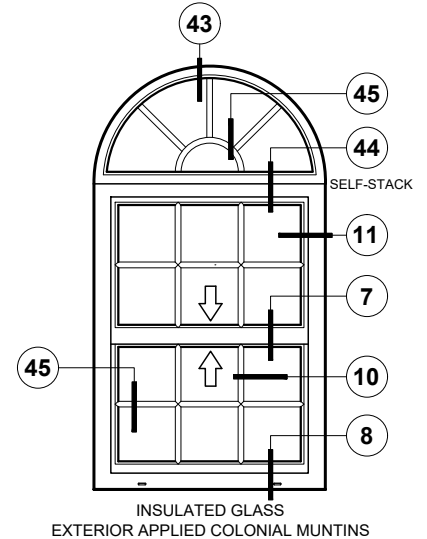
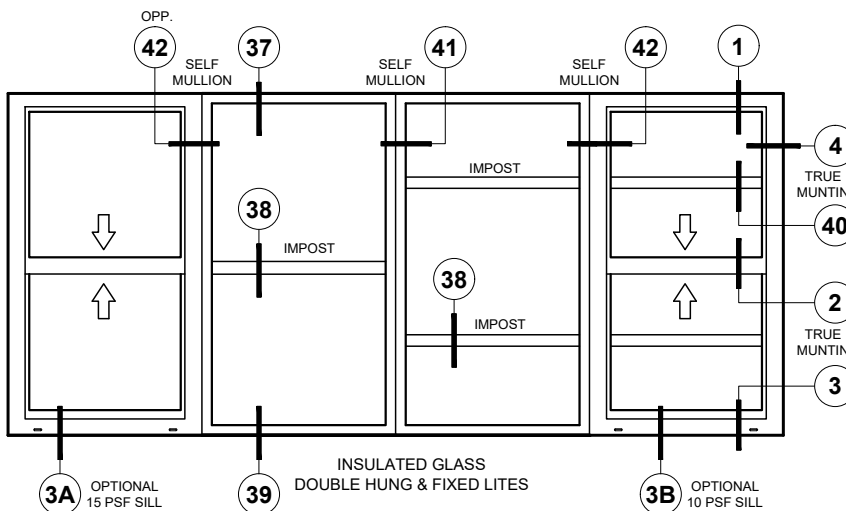
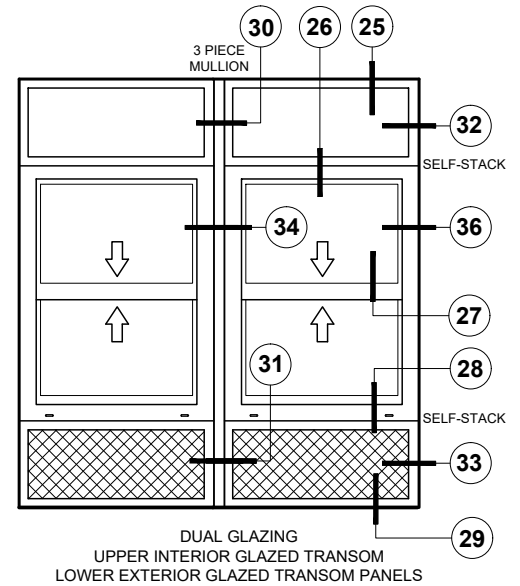
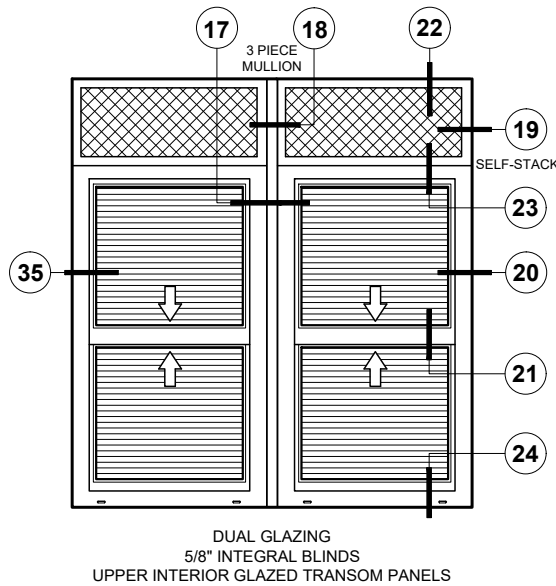
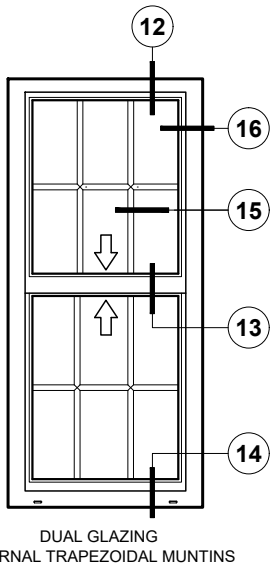
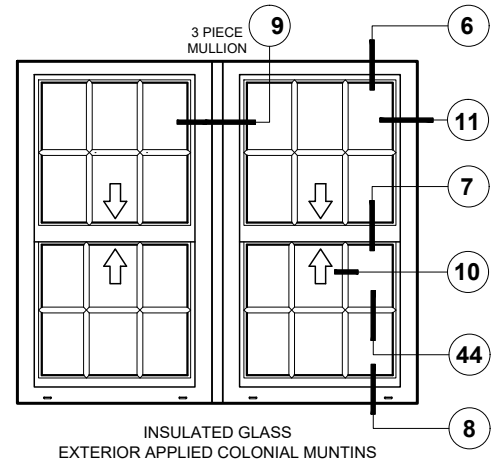
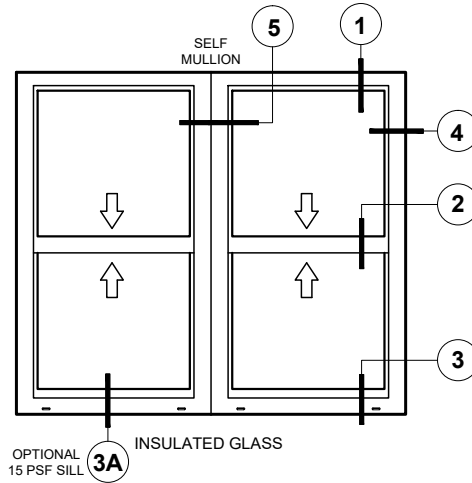
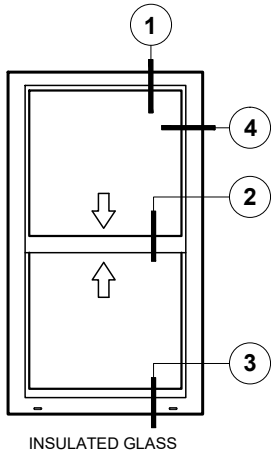


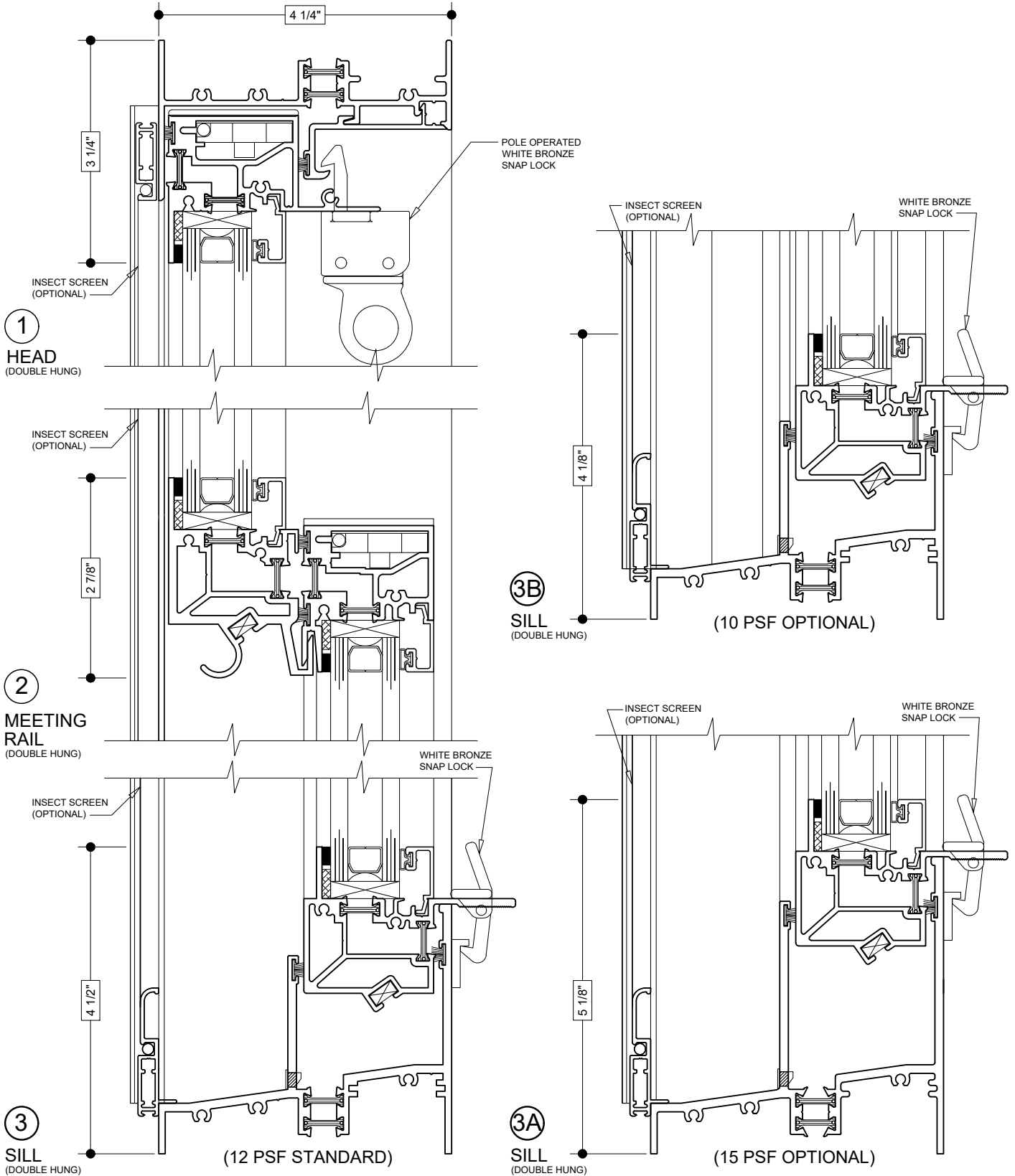
Details shown reflect the most commonly used configurations.
Contact AWM for additional details and/or assistance.

03/28/19



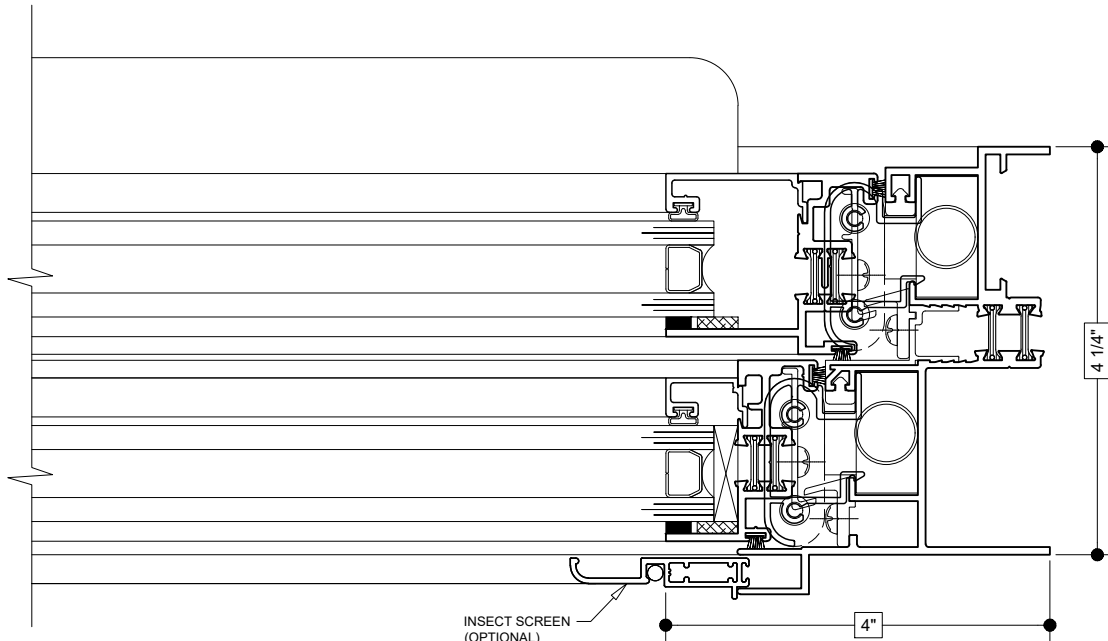
Details shown reflect the most commonly used configurations.
Contact AWM for additional details and/or assistance.

03/28/19

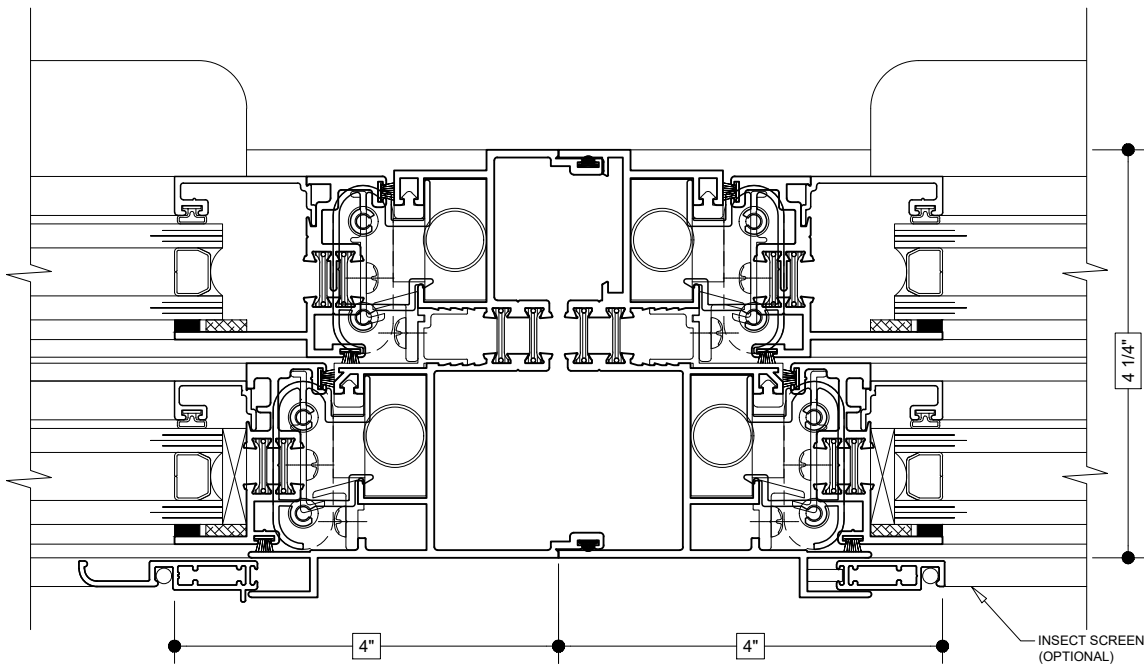


Details shown reflect the most commonly used configurations.
 Contact AWM for additional details and/or assistance.

03/28/19



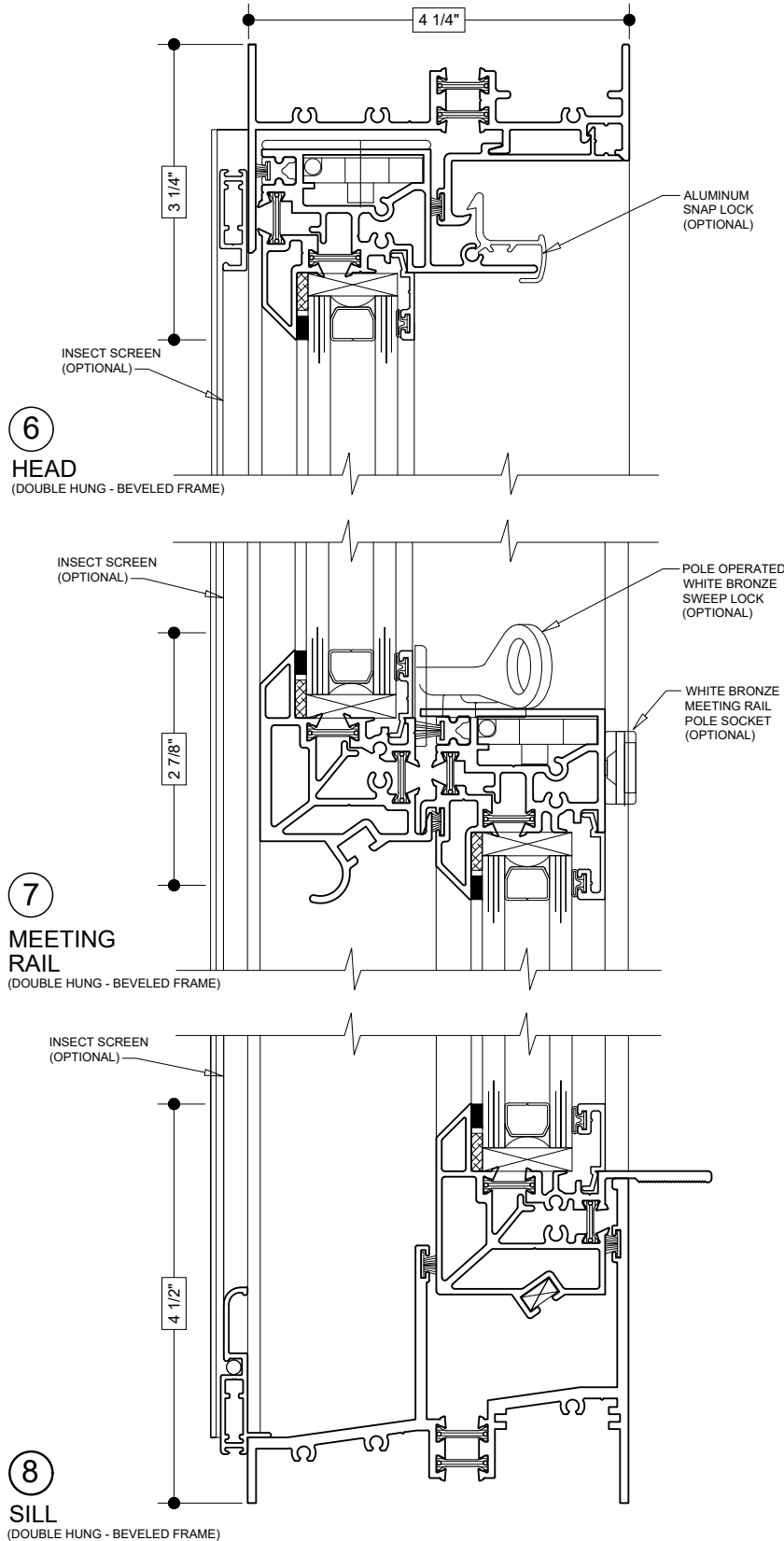
4
RIGHT JAMB
 (DOUBLE HUNG)



5
SELF-MULLION
 (DOUBLE HUNG TO DOUBLE HUNG)

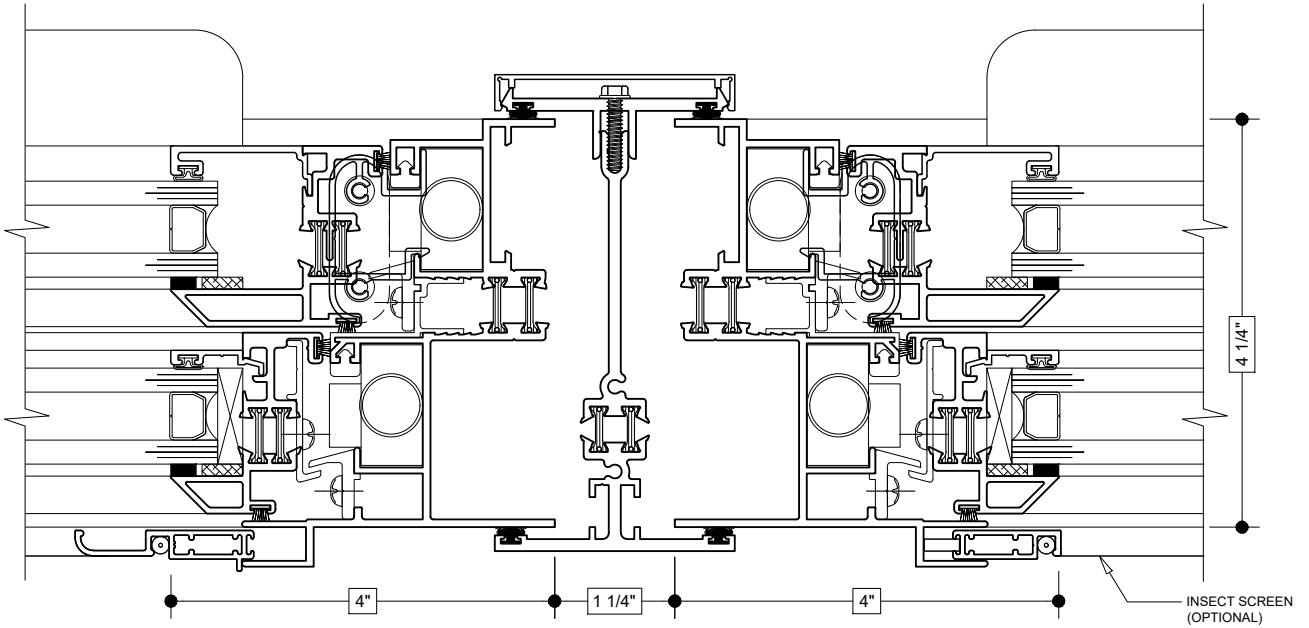
Details shown reflect the most commonly used configurations.
 Contact AWM for additional details and/or assistance.

03/28/19

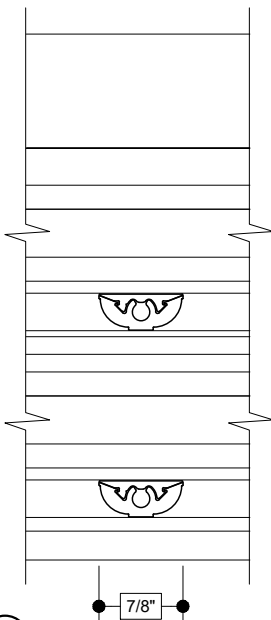


Details shown reflect the most commonly used configurations.
 Contact AWM for additional details and/or assistance.

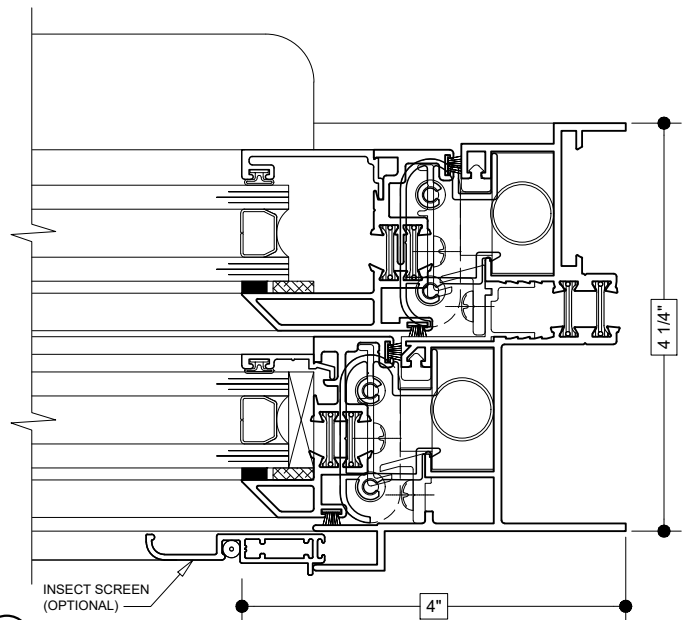
03/28/19



⑨
3-PIECE MULLION
 (DOUBLE HUNG TO DOUBLE HUNG- BEVELED FRAME)



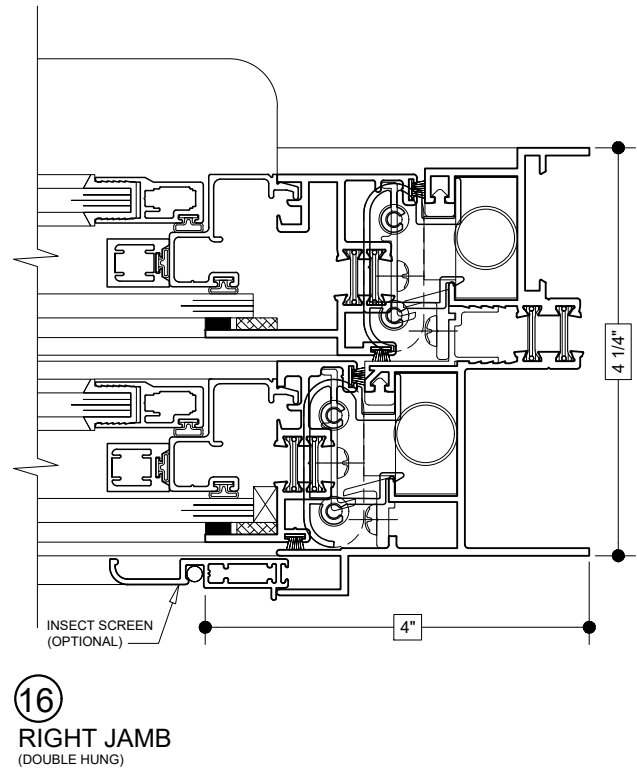
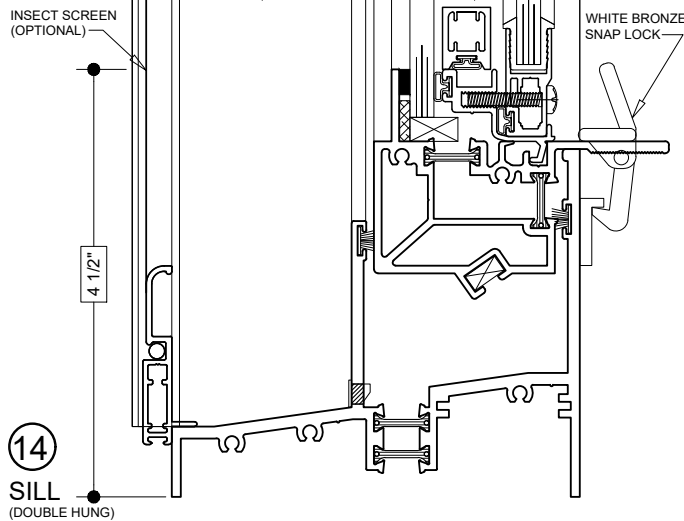
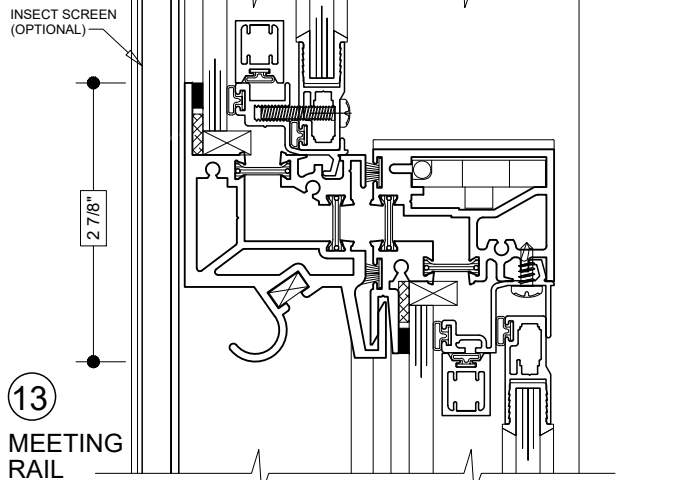
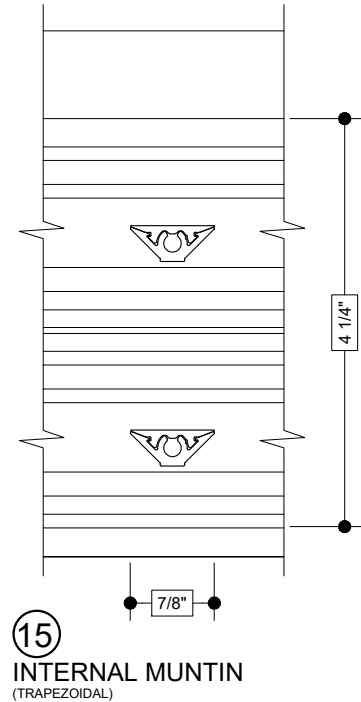
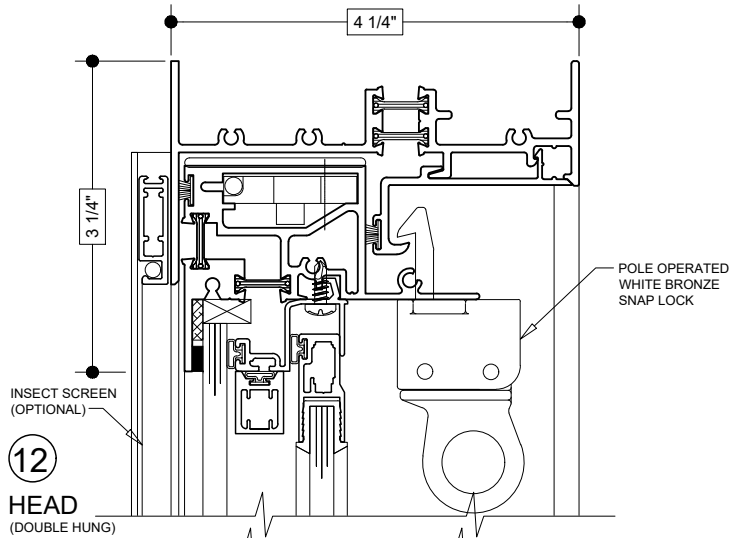
⑩
EXTERNAL MUNTIN
 (COLONIAL)



⑪
RIGHT JAMB
 (DOUBLE HUNG - BEVELED FRAME)

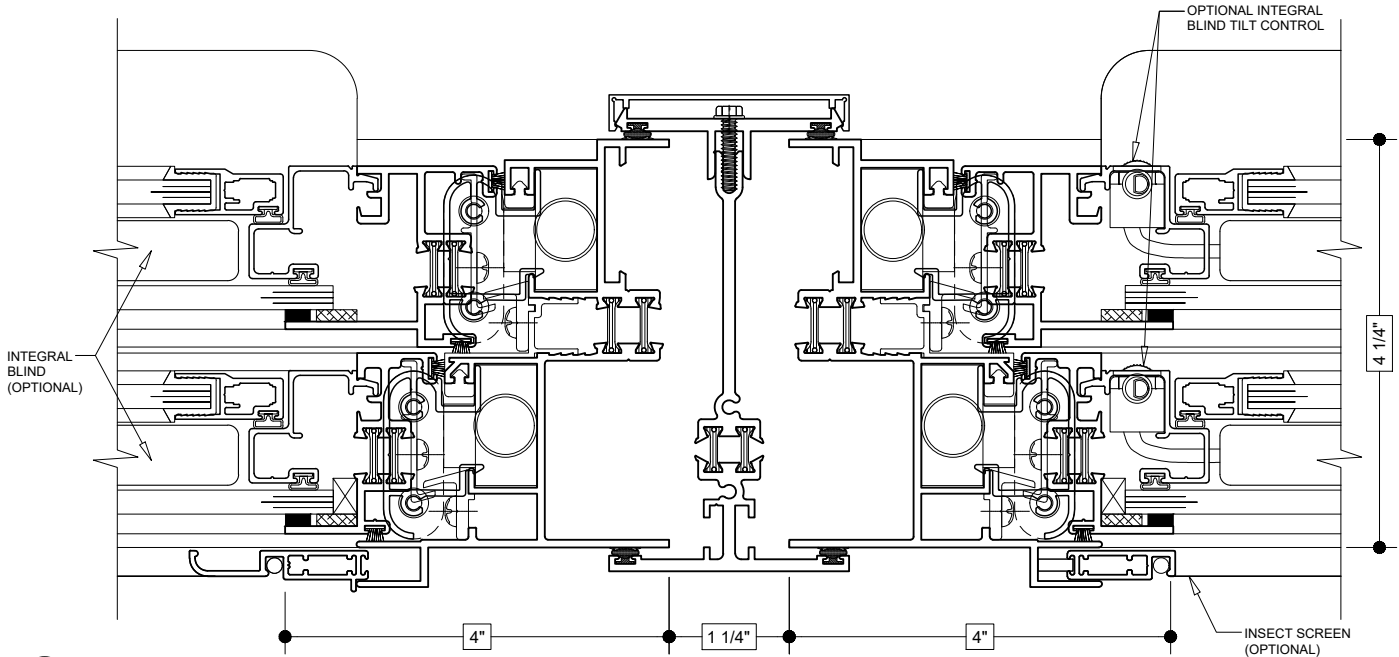
Details shown reflect the most commonly used configurations.
 Contact AWM for additional details and/or assistance.

03/28/19

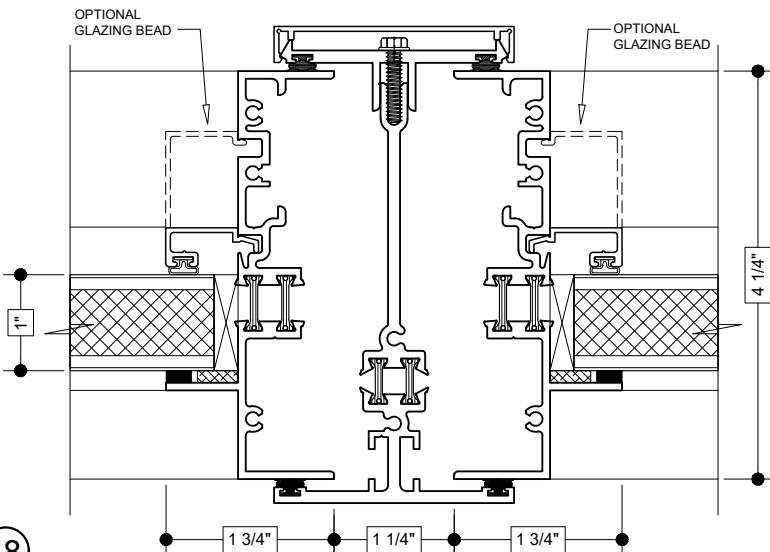


Details shown reflect the most commonly used configurations.
 Contact AWM for additional details and/or assistance.

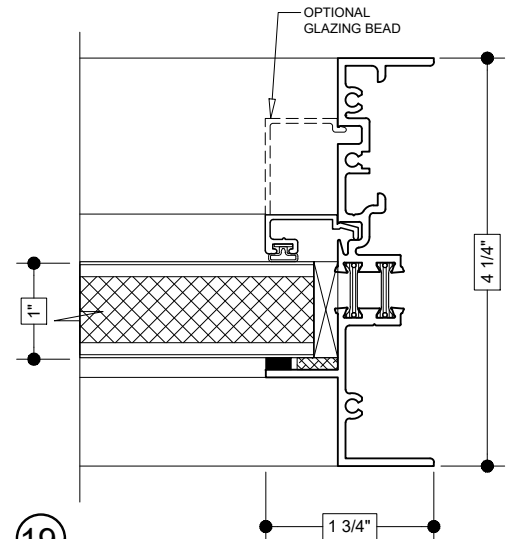
03/28/19



17
3-PIECE MULLION
 (DOUBLE HUNG TO DOUBLE HUNG)



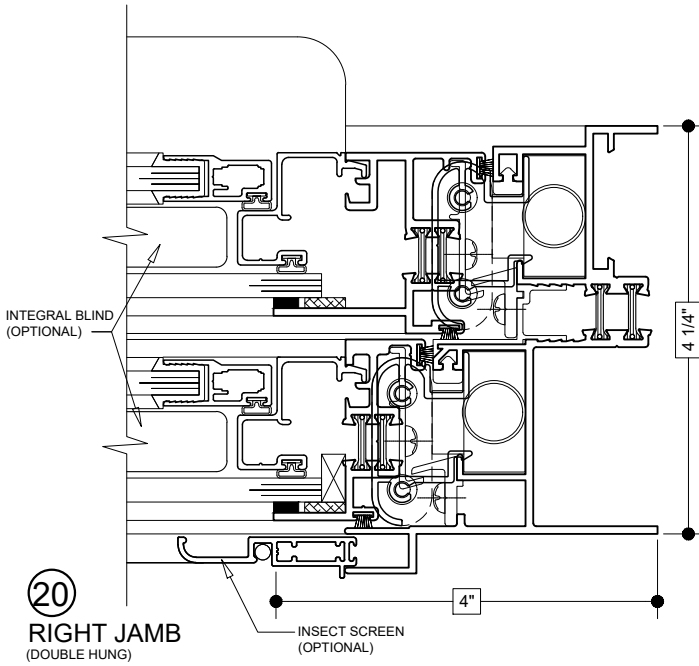
18
3-PIECE MULLION
 (FIXED PANEL TO FIXED PANEL)



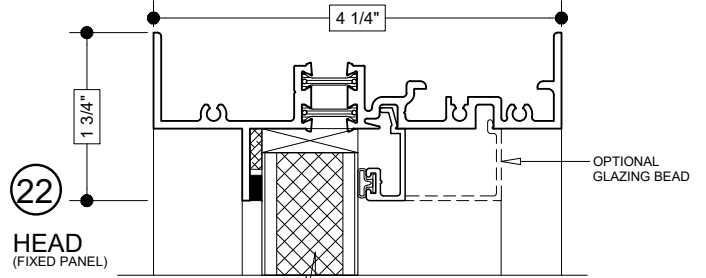
19
RIGHT JAMB
 (FIXED PANEL)

Details shown reflect the most commonly used configurations.
 Contact AWM for additional details and/or assistance.

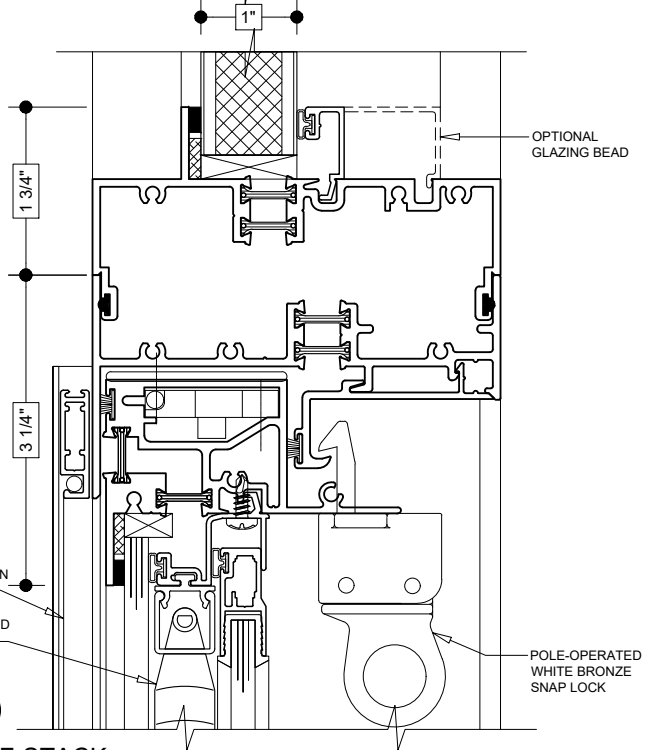
03/28/19



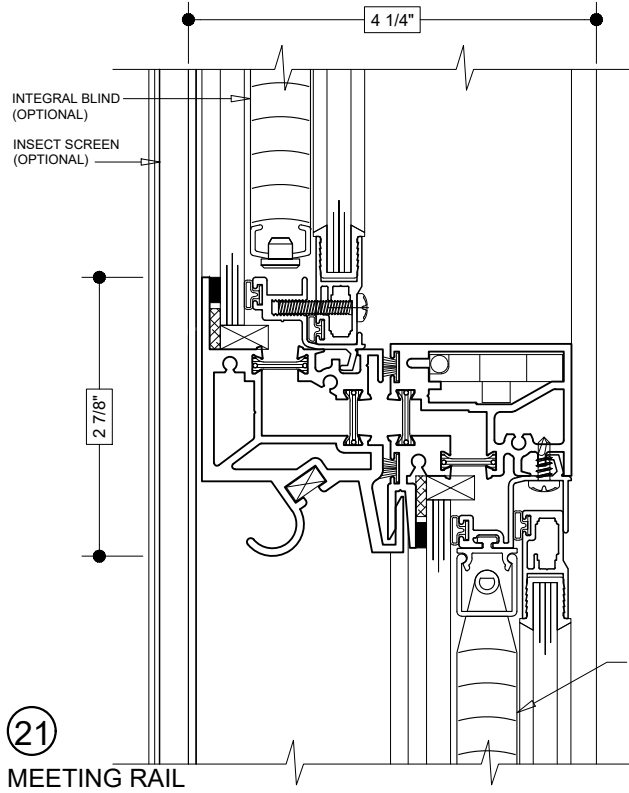
20
RIGHT JAMB
 (DOUBLE HUNG)



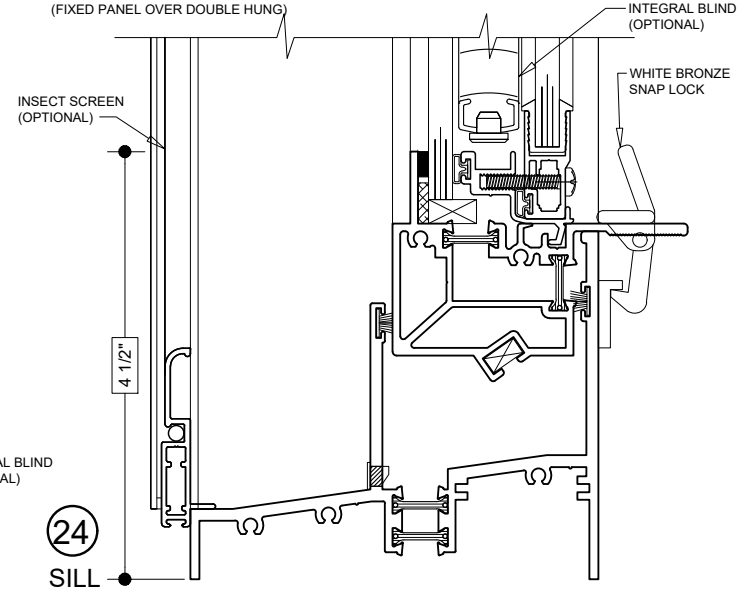
22
HEAD
 (FIXED PANEL)



23
SELF-STACK
 (FIXED PANEL OVER DOUBLE HUNG)



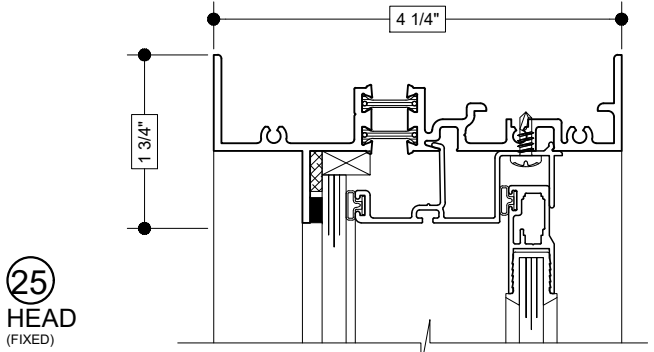
21
MEETING RAIL
 (DOUBLE HUNG)



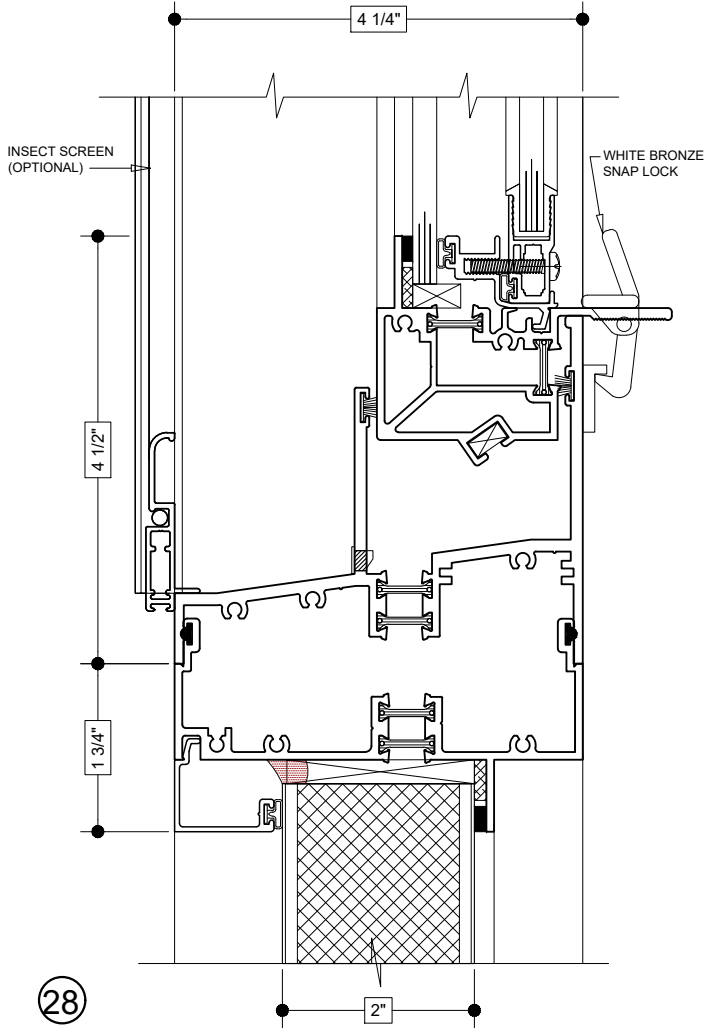
24
SILL
 (DOUBLE HUNG)

Details shown reflect the most commonly used configurations.
 Contact AWM for additional details and/or assistance.

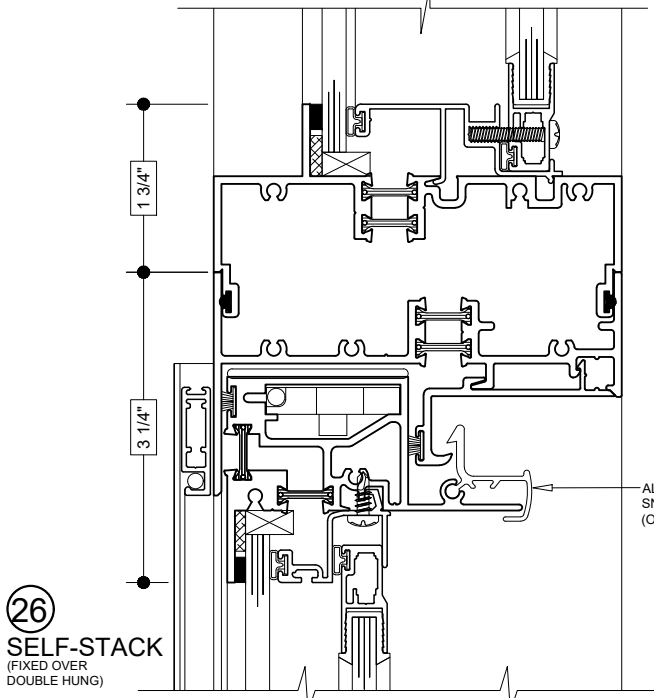
03/28/19



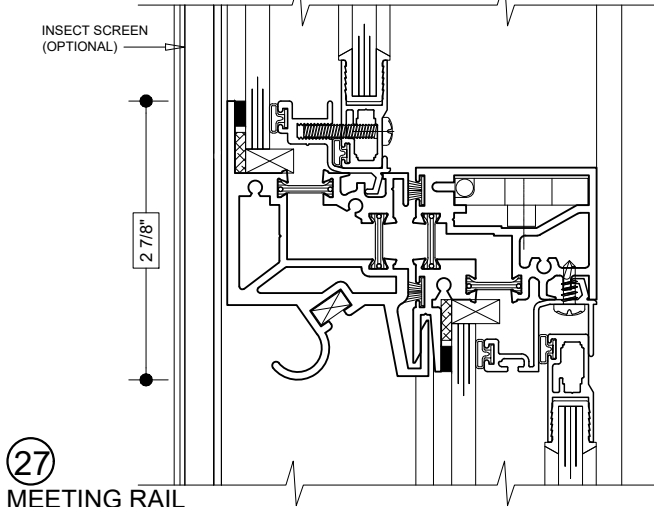
25
HEAD
 (FIXED)



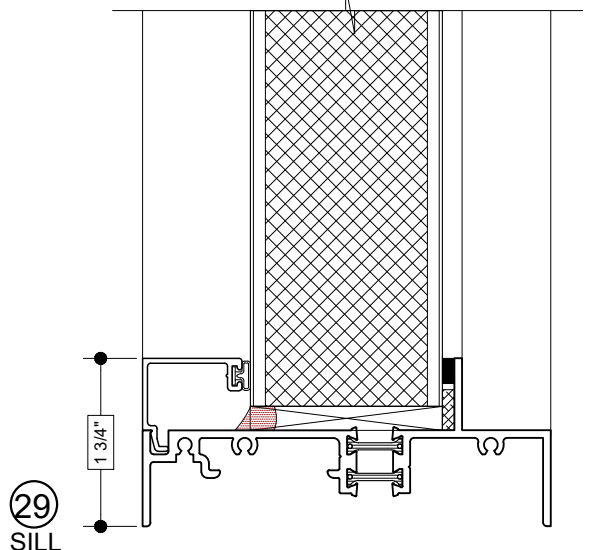
28
SELF-STACK
 (DOUBLE HUNG OVER FIXED PANEL)



26
SELF-STACK
 (FIXED OVER DOUBLE HUNG)



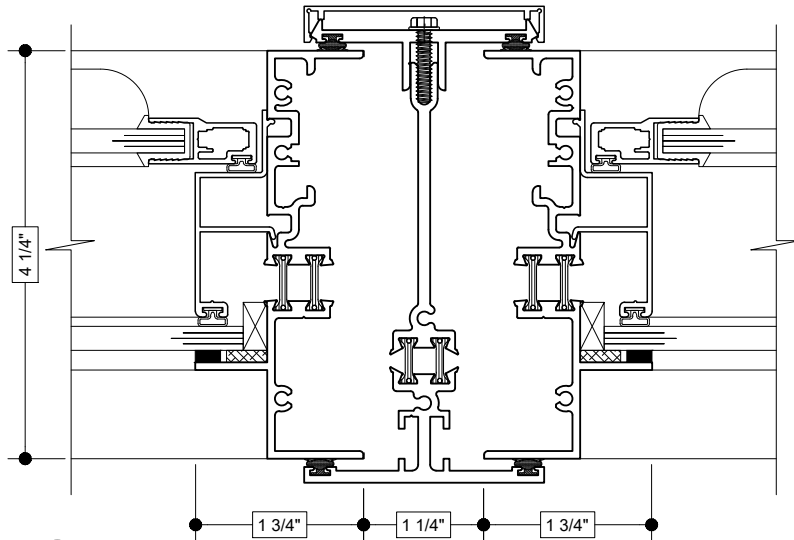
27
MEETING RAIL
 (DOUBLE HUNG)



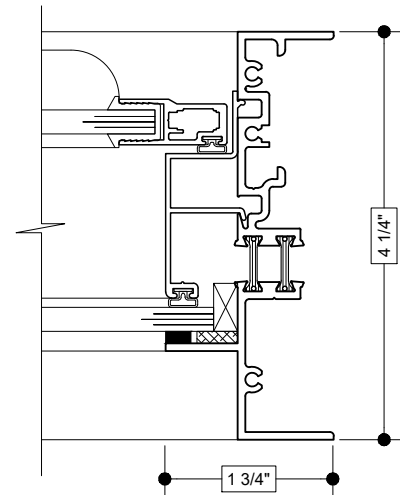
29
SILL
 (FIXED PANEL)

Details shown reflect the most commonly used configurations.
 Contact AWM for additional details and/or assistance.

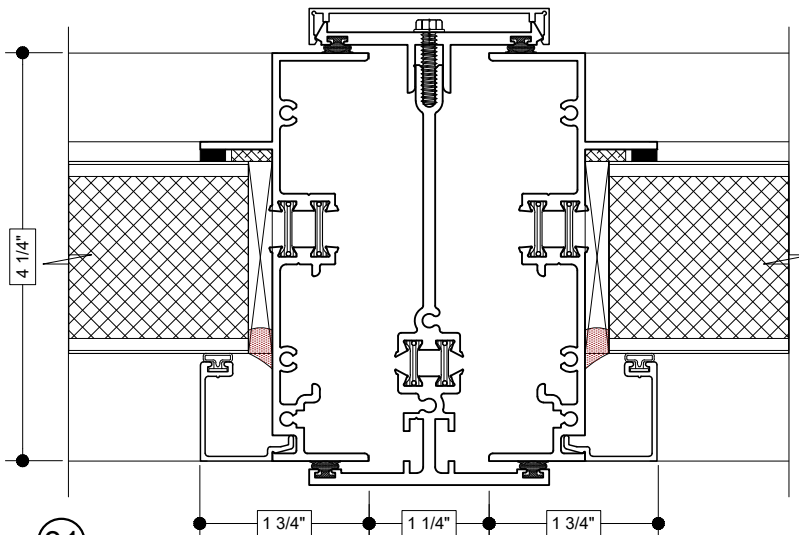
03/28/19



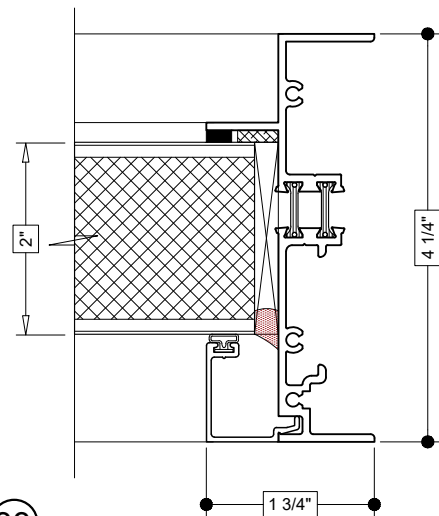
30
3-PIECE MULLION
 (FIXED TO FIXED)



32
RIGHT JAMB
 (FIXED)



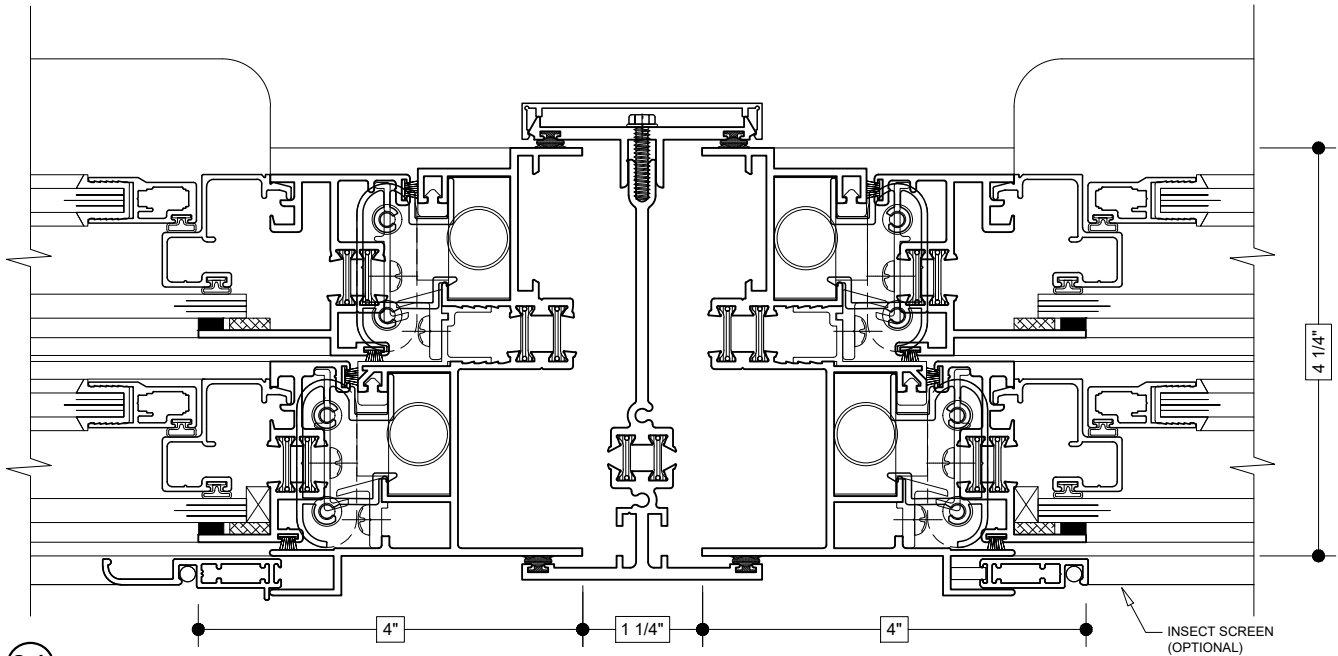
31
3-PIECE MULLION
 (FIXED PANEL TO FIXED PANEL)



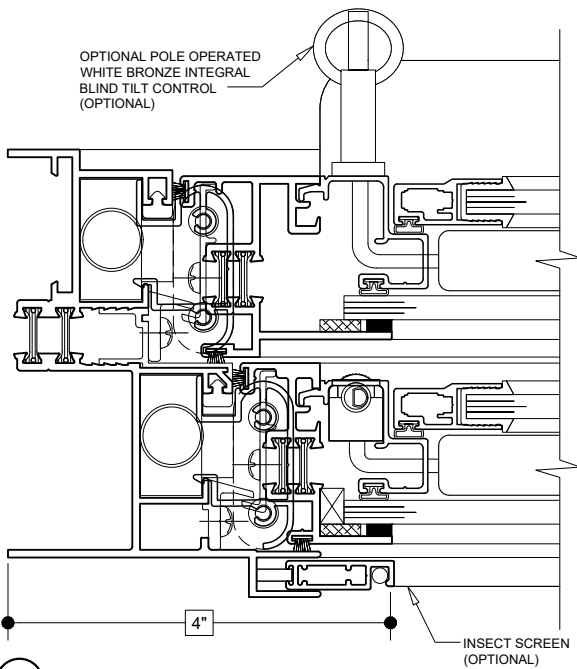
33
RIGHT JAMB
 (FIXED PANEL)

Details shown reflect the most commonly used configurations.
 Contact AWM for additional details and/or assistance.

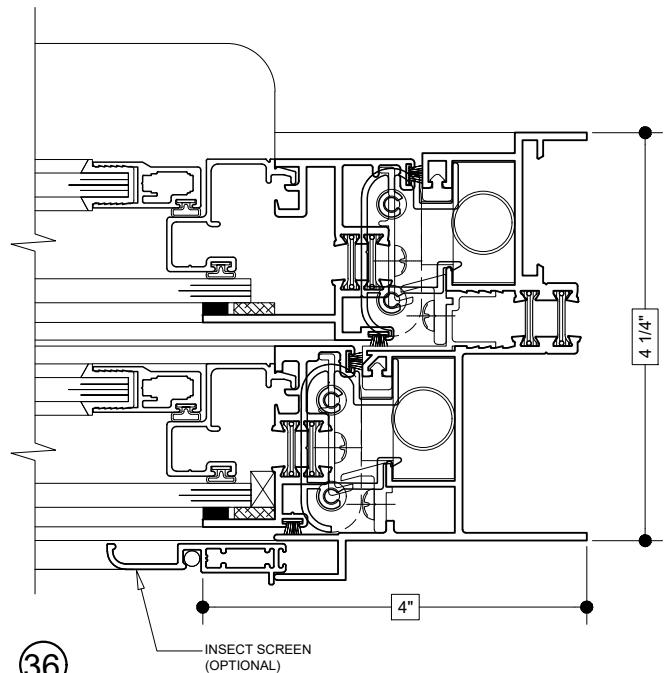
03/28/19



34
3-PIECE MULLION
 (DOUBLE HUNG TO DOUBLE HUNG)



35
LEFT JAMB
 (DOUBLE HUNG)

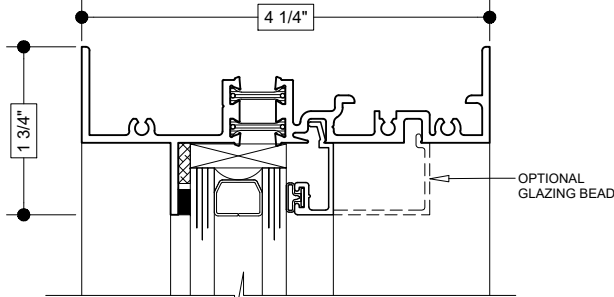


36
RIGHT JAMB
 (DOUBLE HUNG)

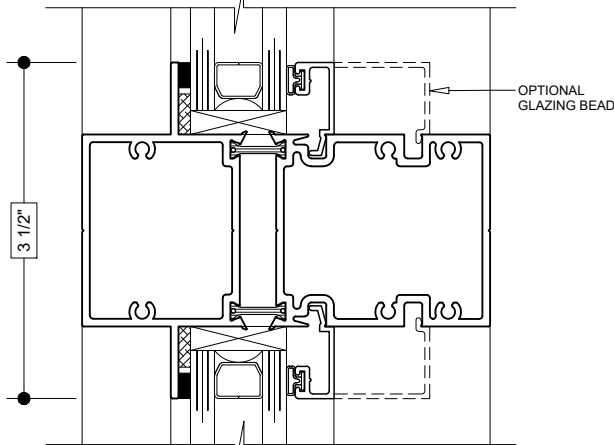
Details shown reflect the most commonly used configurations.
 Contact AWM for additional details and/or assistance.

03/28/19

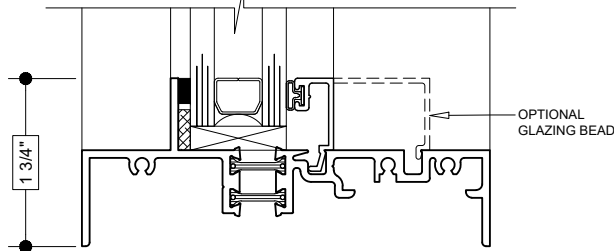
37
HEAD
 (FIXED)



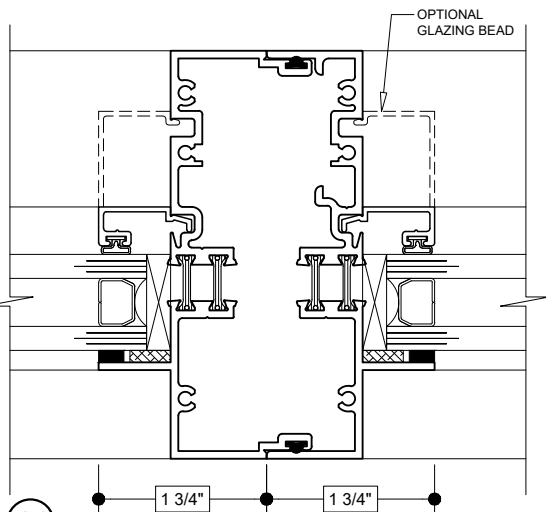
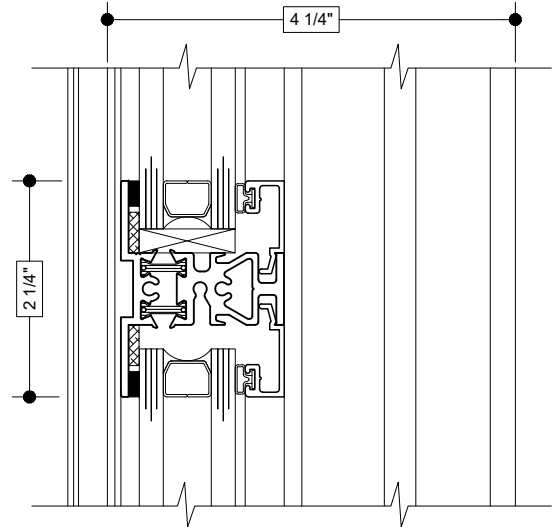
38
IMPOST
 (FIXED)



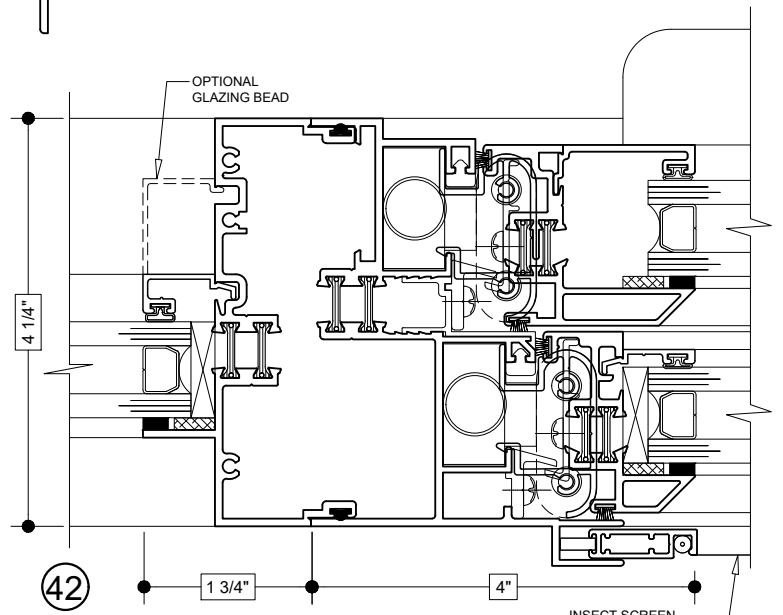
39
SILL
 (FIXED)



40
TRUE MUNTIN
 (FIXED OVER FIXED)



41
SELF-MULLION
 (FIXED TO FIXED)

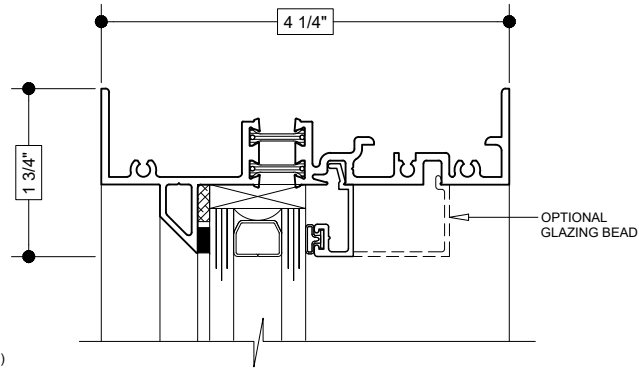


42
SELF-MULLION
 (FIXED TO DOUBLE HUNG - BEVELED FRAME)

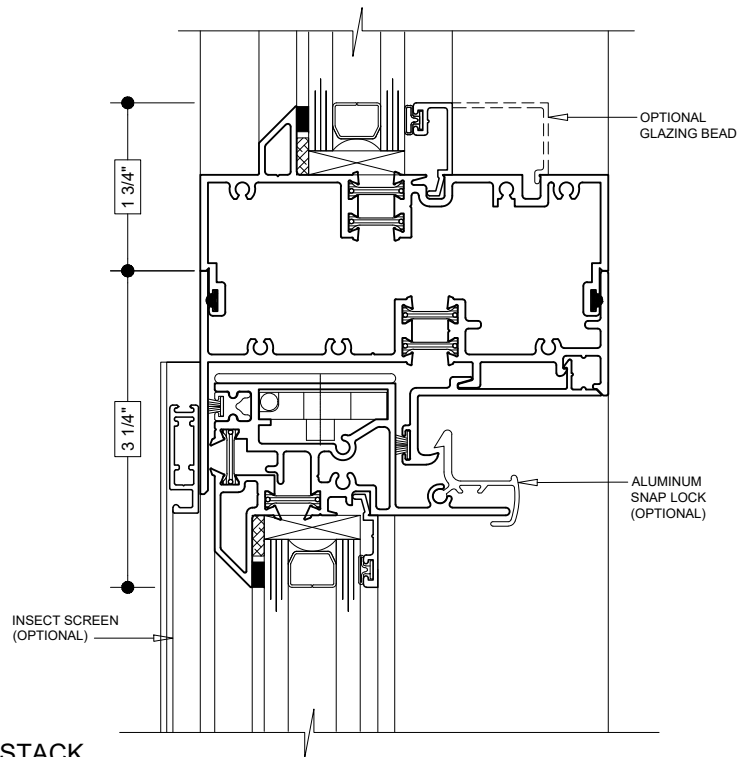
Details shown reflect the most commonly used configurations.
 Contact AWM for additional details and/or assistance.

03/28/19

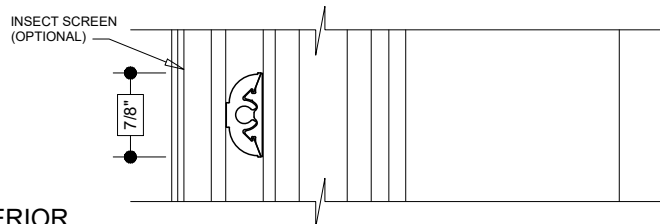
43
HEAD
 (FIXED - BEVELED FRAME)



44
SELF-STACK
 (FIXED OVER DOUBLE HUNG - BEVELED FRAME)



45
EXTERIOR
MUNTIN
 (COLONIAL)



Details shown reflect the most commonly used configurations.
 Contact AWM for additional details and/or assistance.

03/28/19

Optional 3" Extended Frame

