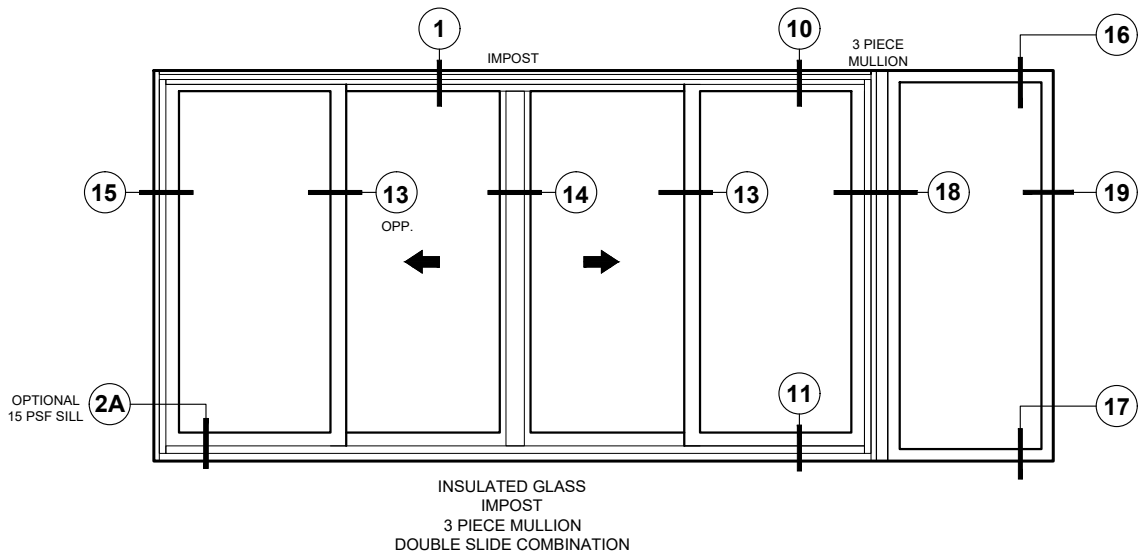
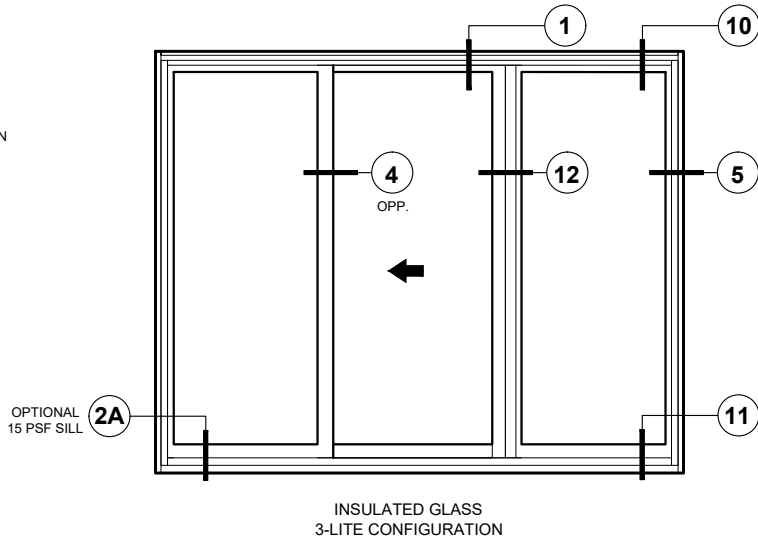
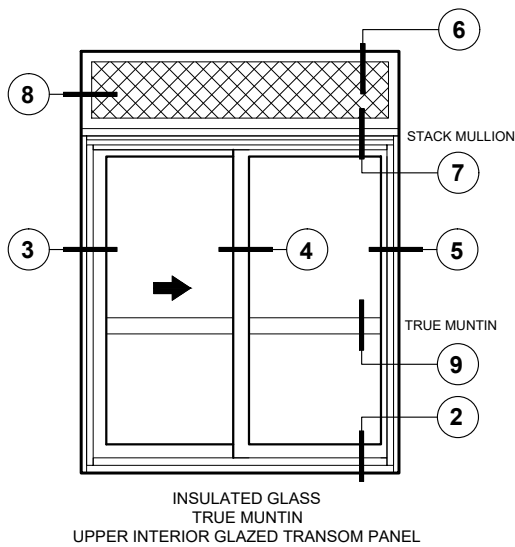
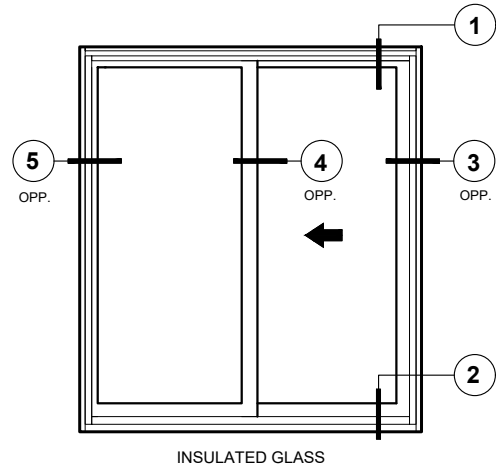
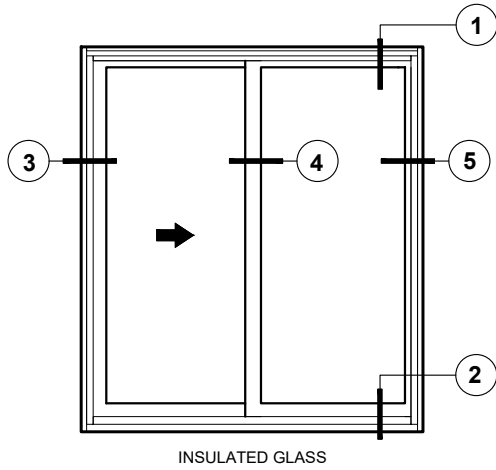


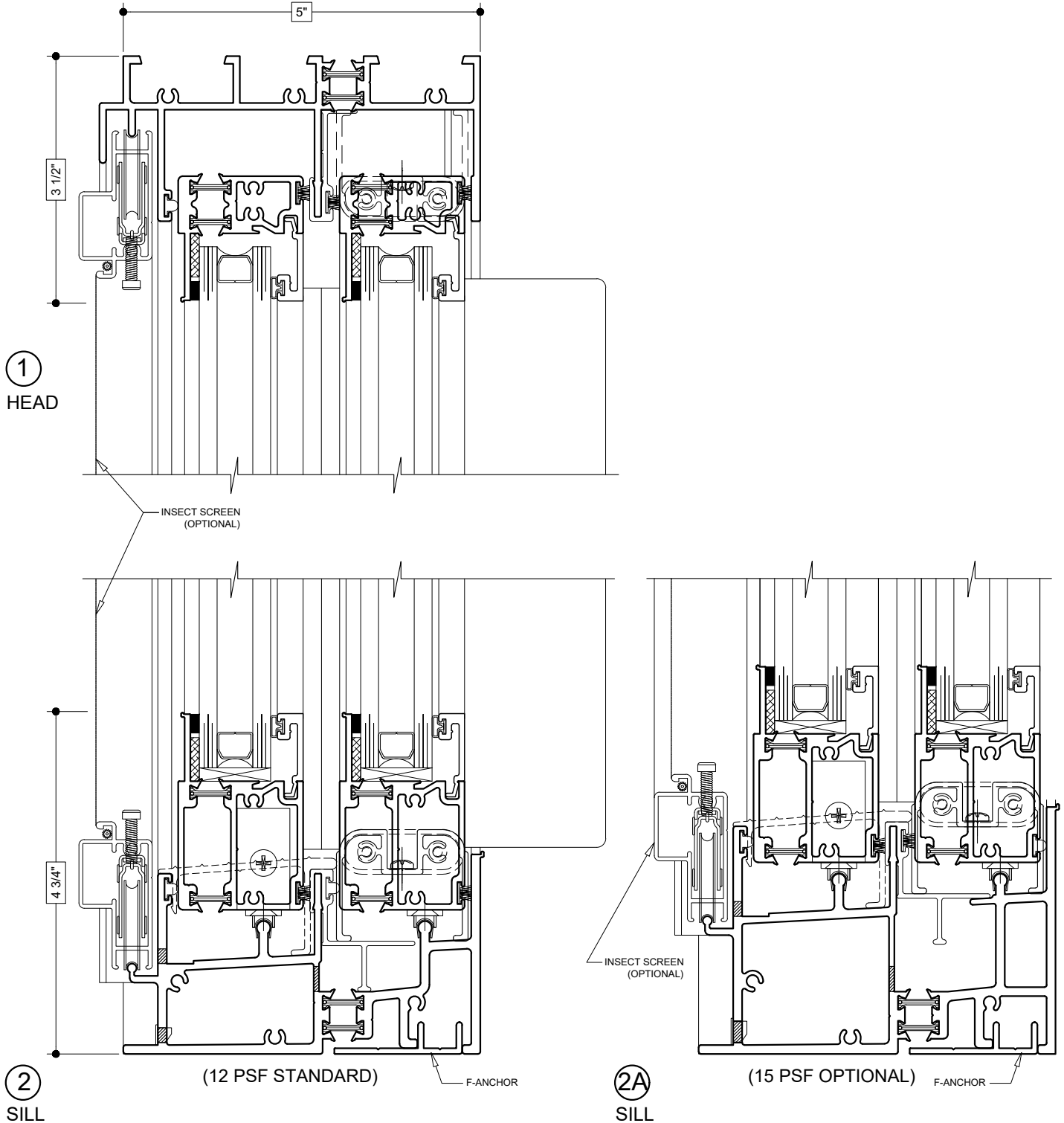
Details shown reflect the most commonly used configurations.
 Contact AWM for additional details and/or assistance.

02/26/19



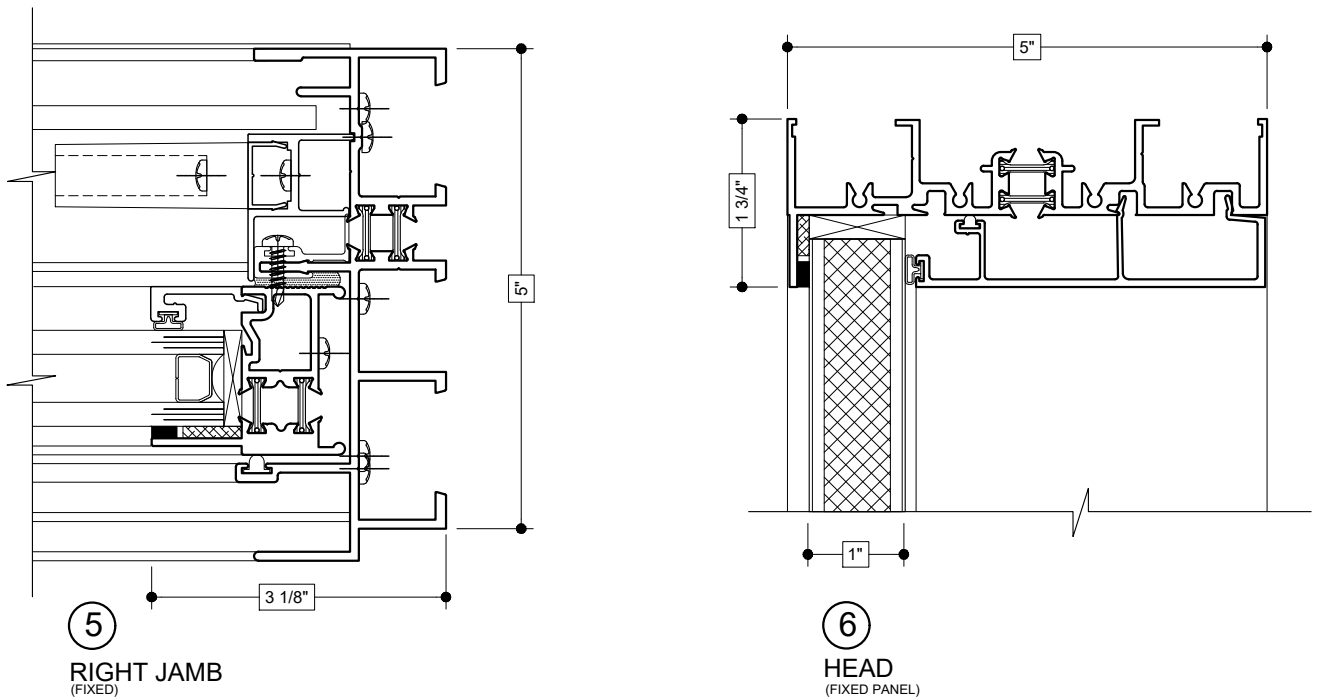
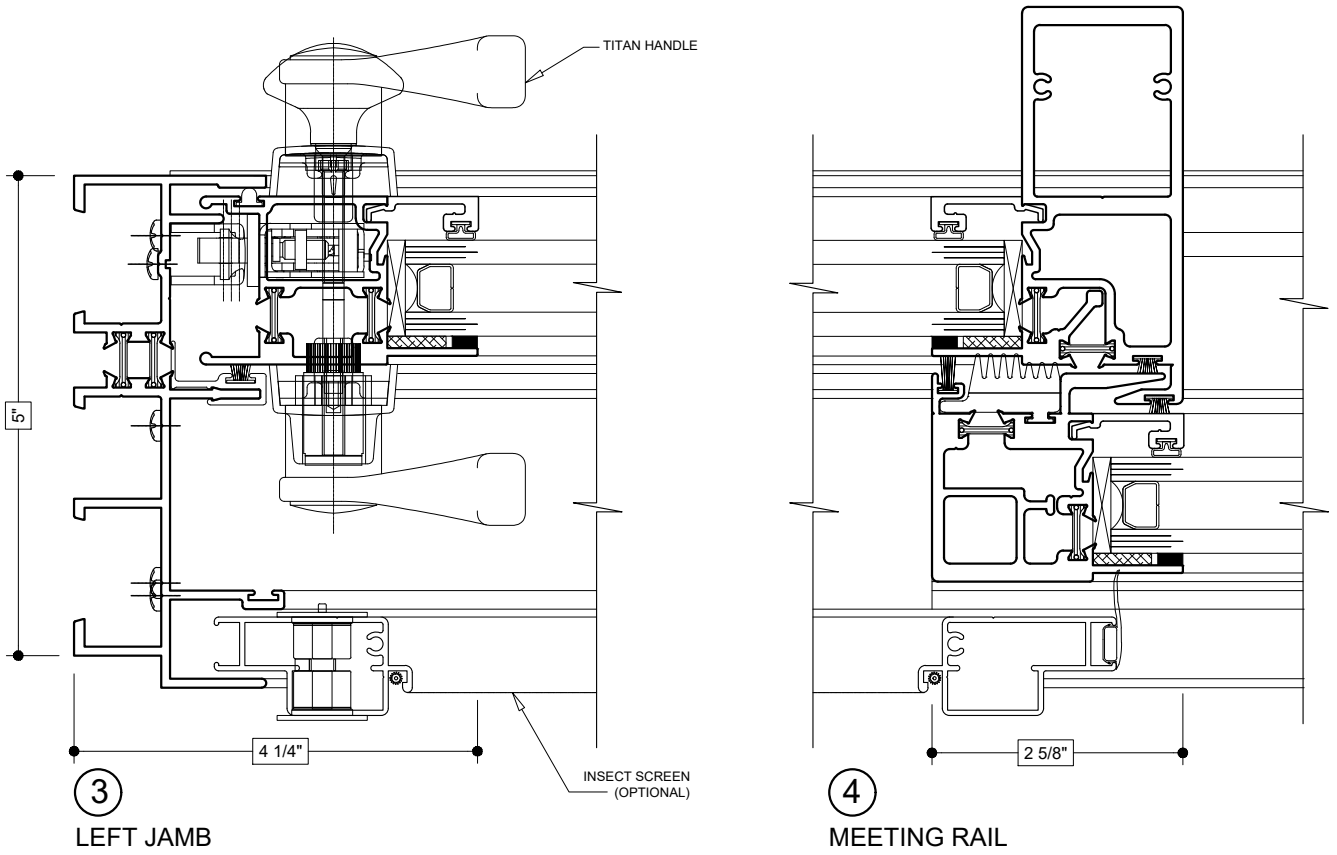
Details shown reflect the most commonly used configurations.
 Contact AWM for additional details and/or assistance.

02/26/19



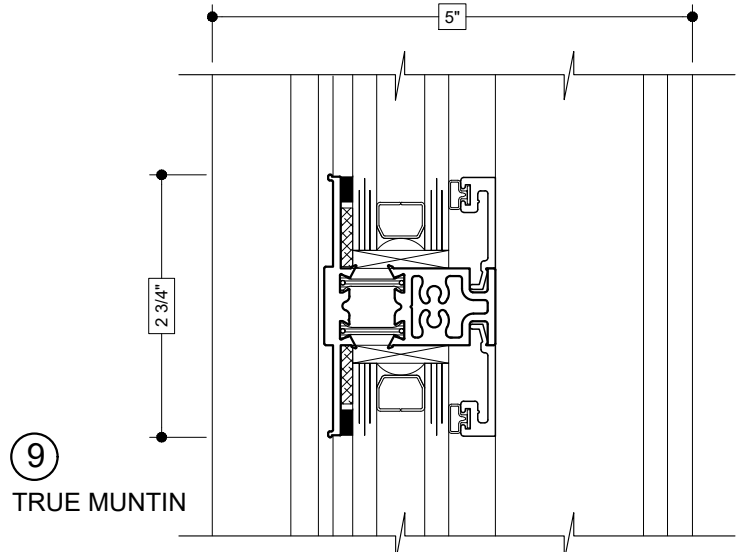
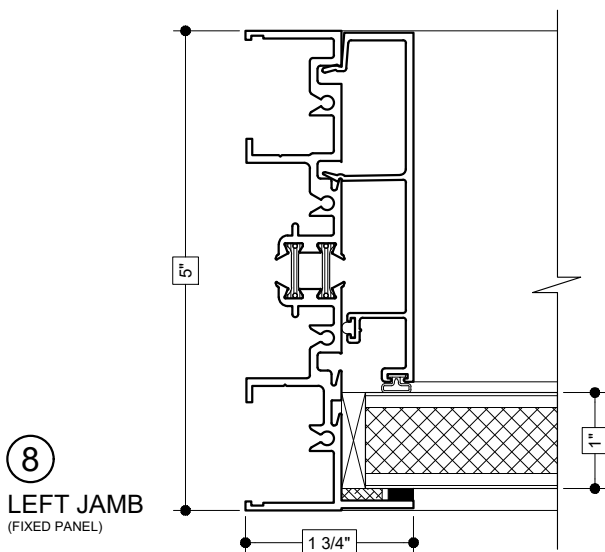
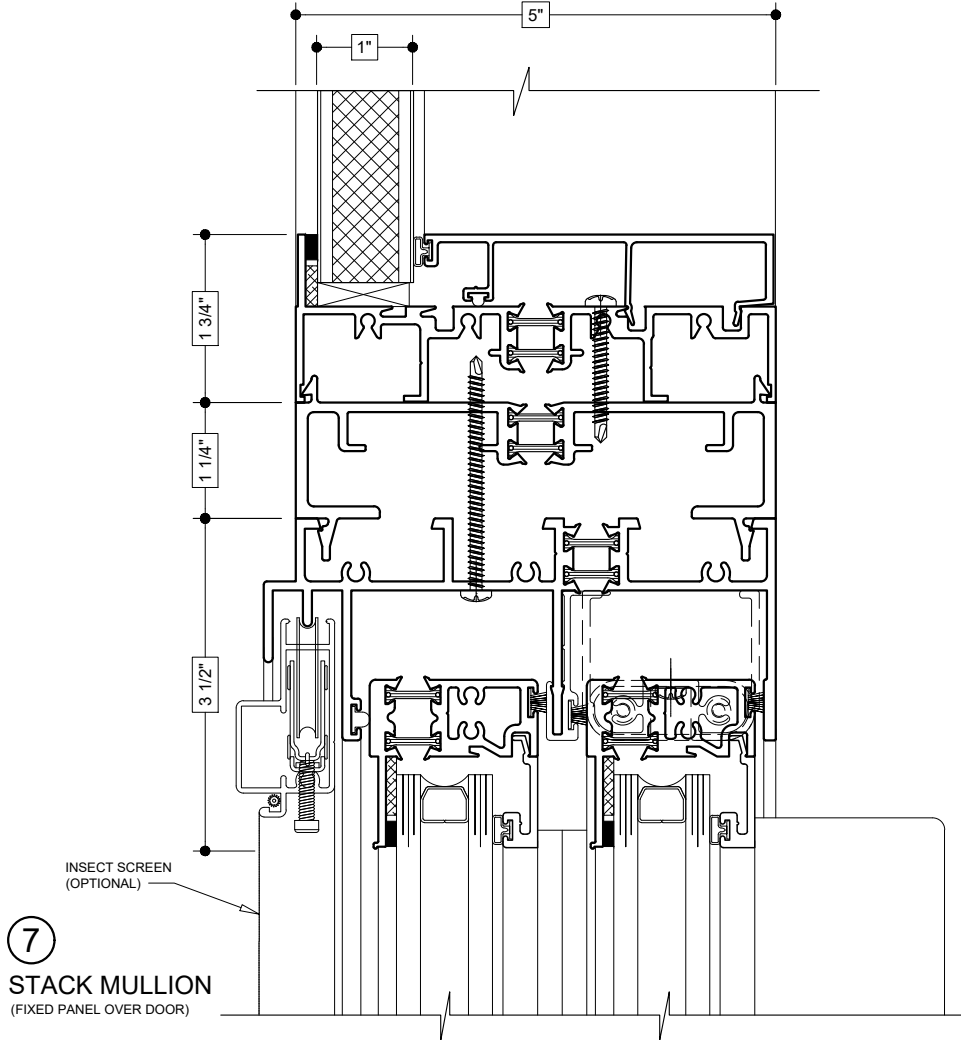
Details shown reflect the most commonly used configurations.
 Contact AWM for additional details and/or assistance.

02/26/19



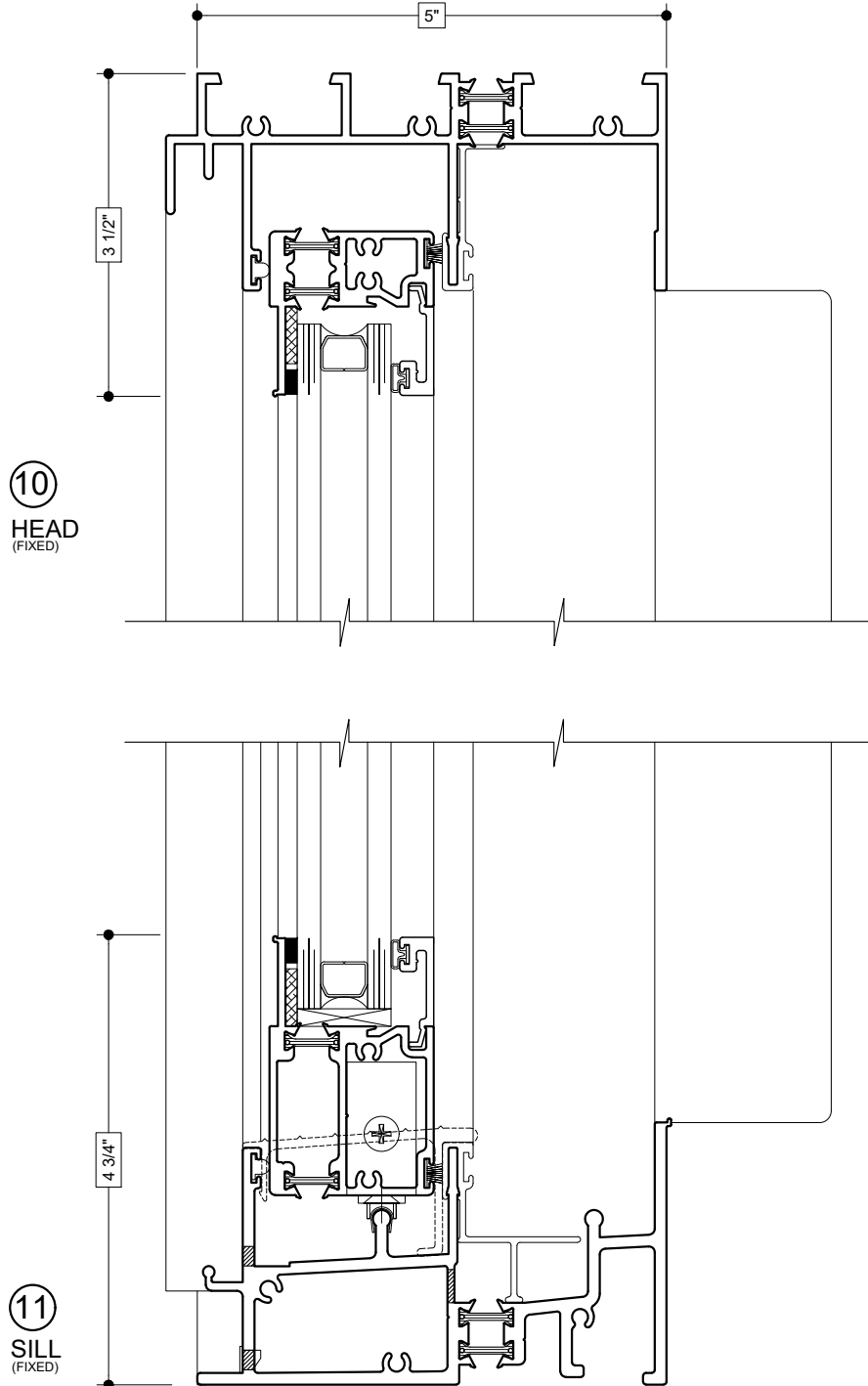
Details shown reflect the most commonly used configurations.
 Contact AWM for additional details and/or assistance.

02/26/19



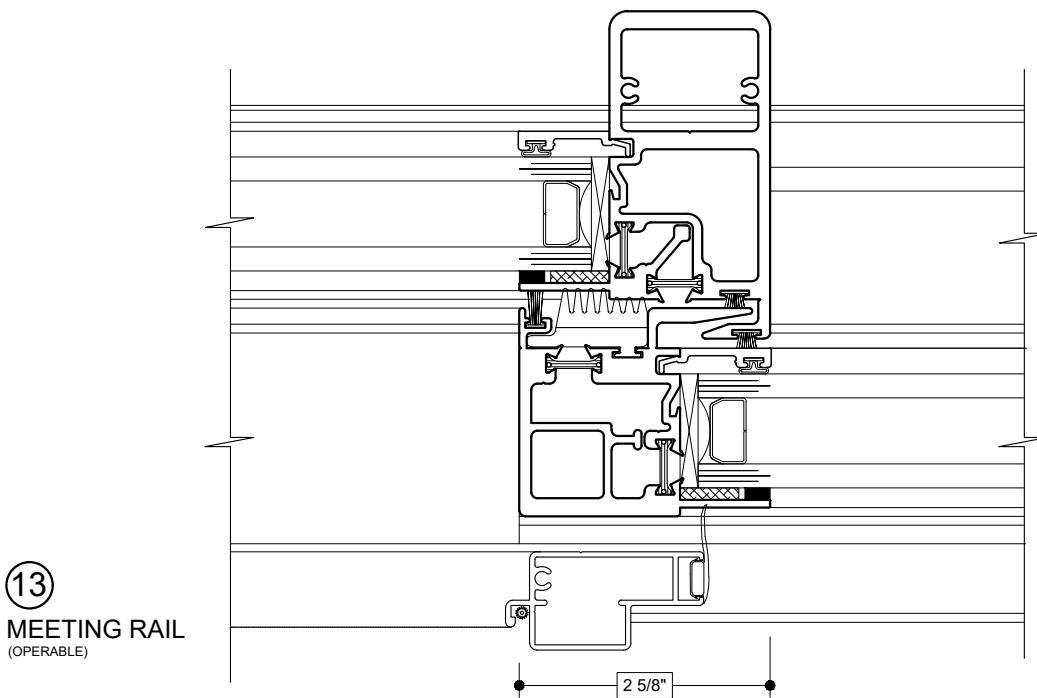
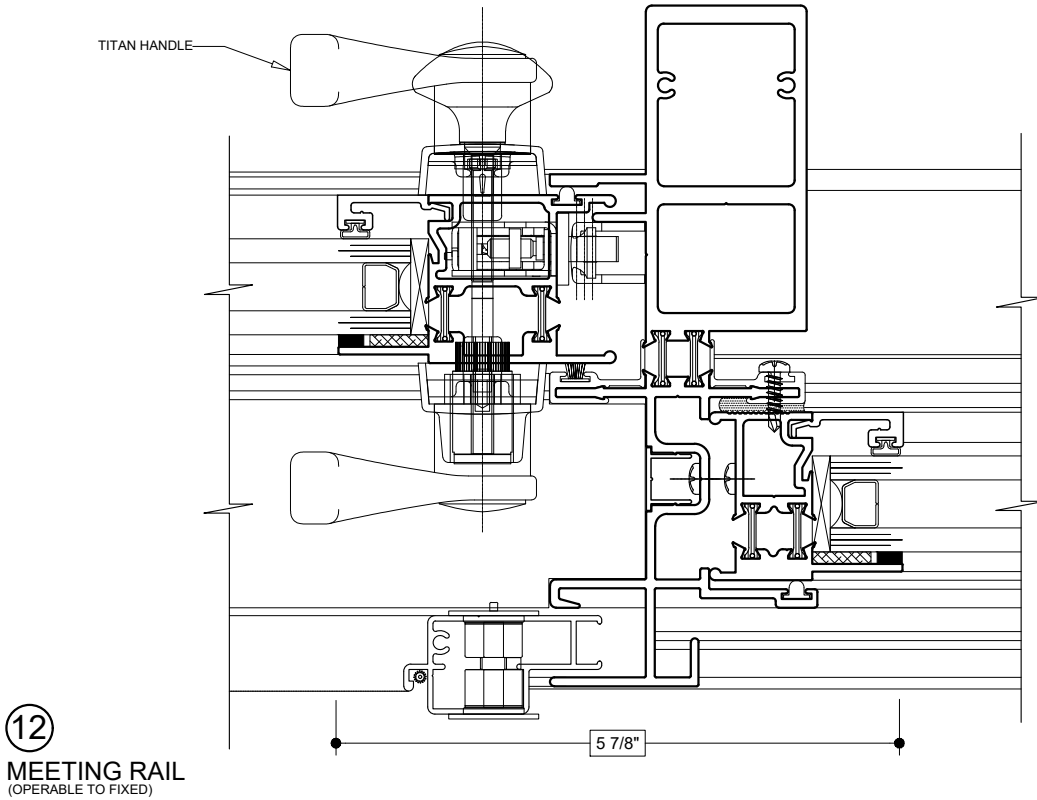
Details shown reflect the most commonly used configurations.
 Contact AWM for additional details and/or assistance.

02/26/19



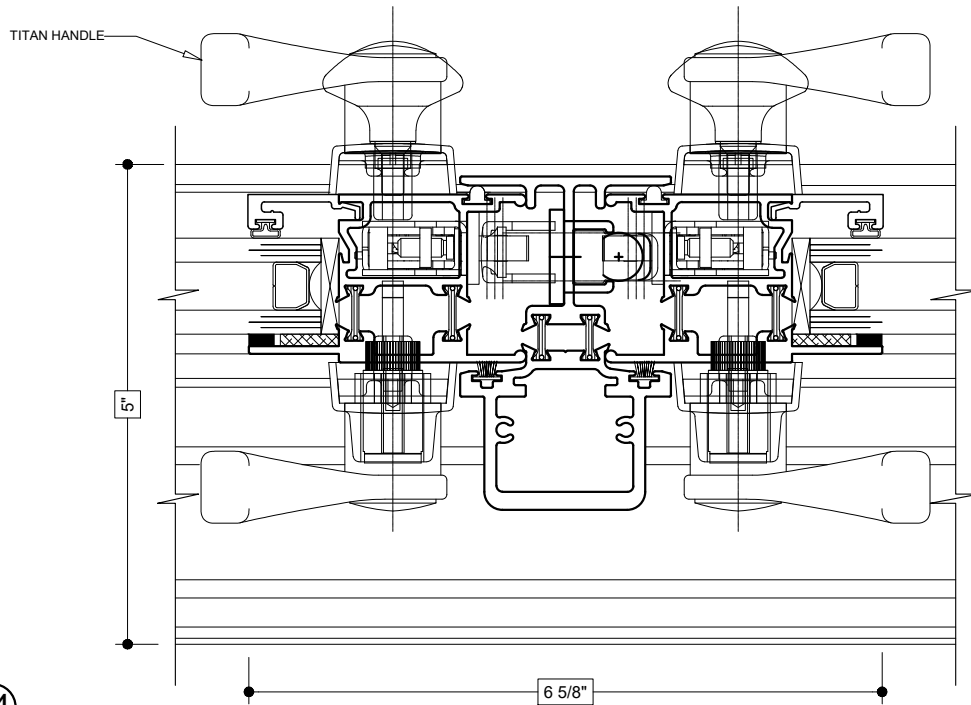
Details shown reflect the most commonly used configurations.
 Contact AWM for additional details and/or assistance.

02/26/19

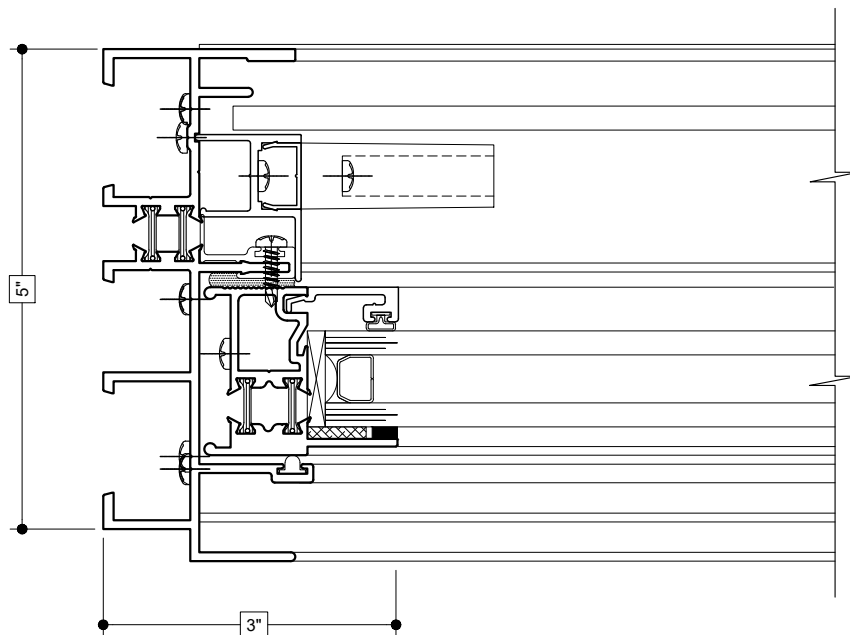


Details shown reflect the most commonly used configurations.
 Contact AWM for additional details and/or assistance.

02/26/19



14
IMPOST
 (OPERABLE TO OPERABLE)



15
LEFT JAMB
 (FIXED)

Details shown reflect the most commonly used configurations.
 Contact AWM for additional details and/or assistance.

02/26/19

