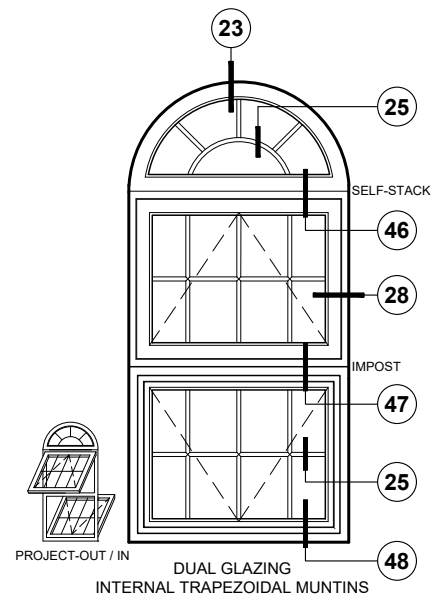
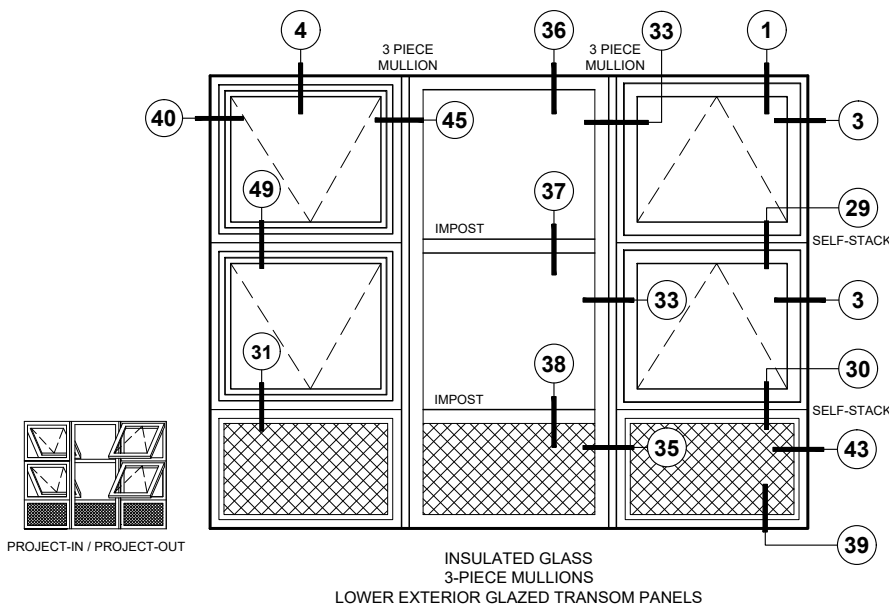
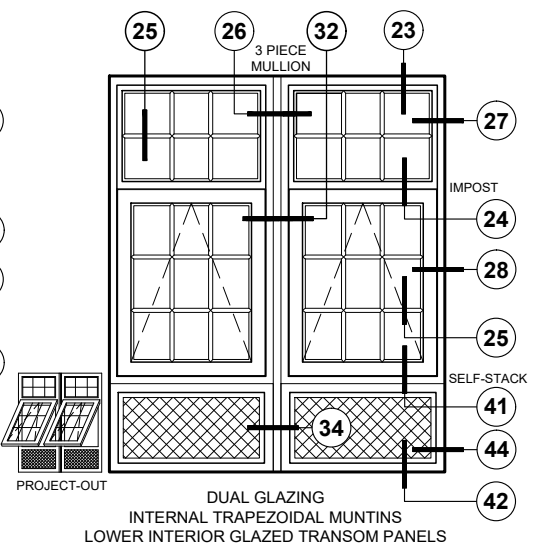
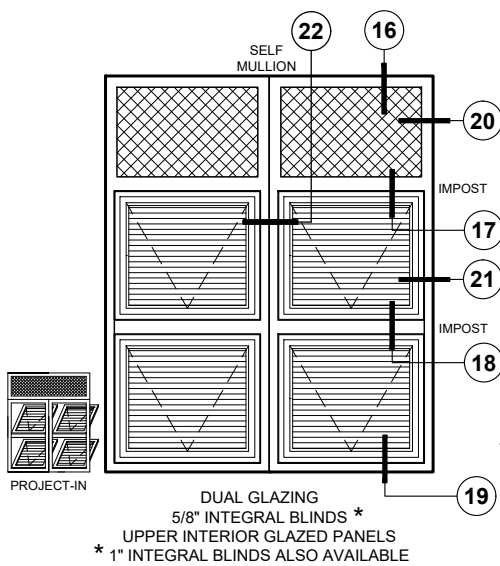
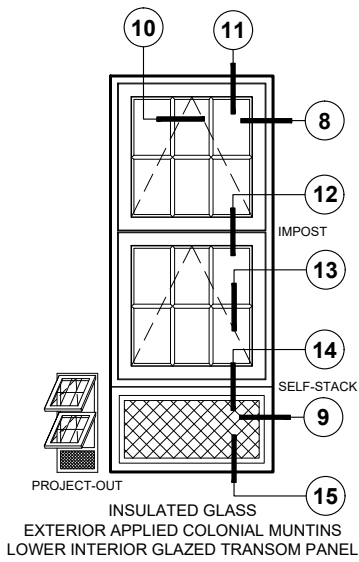
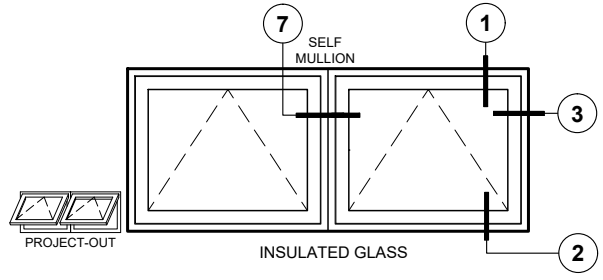
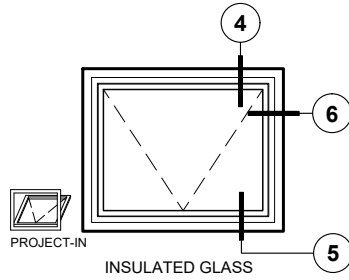
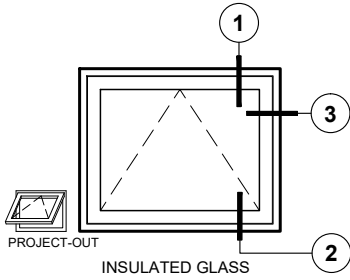


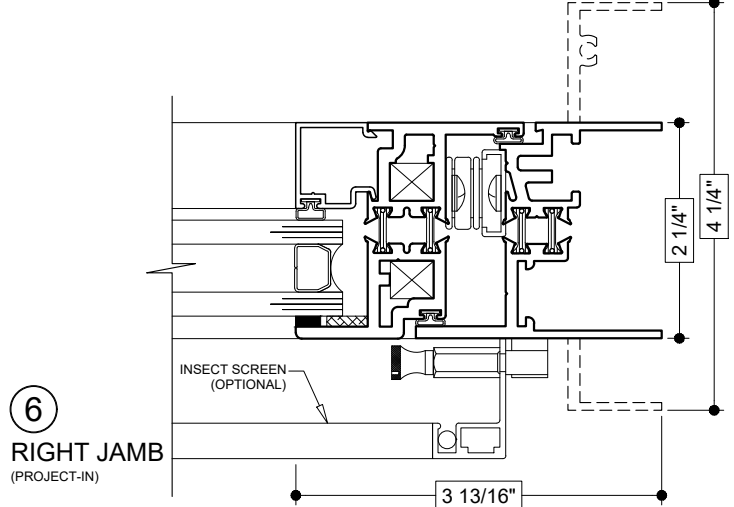
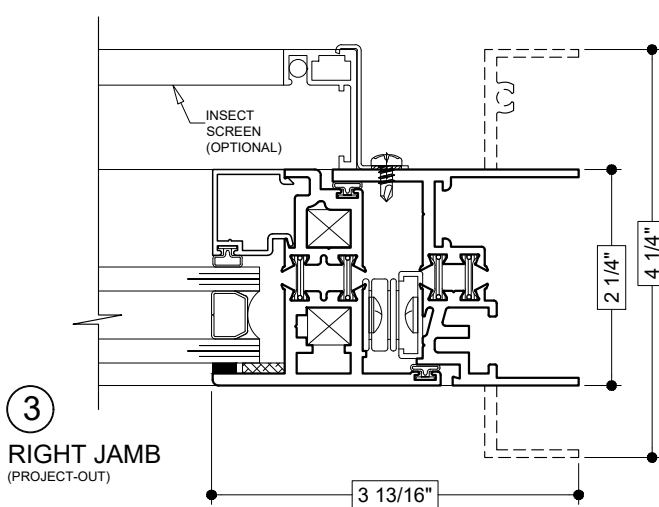
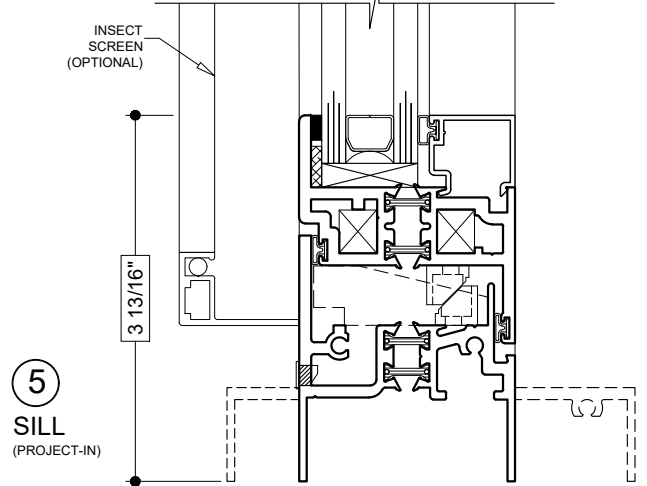
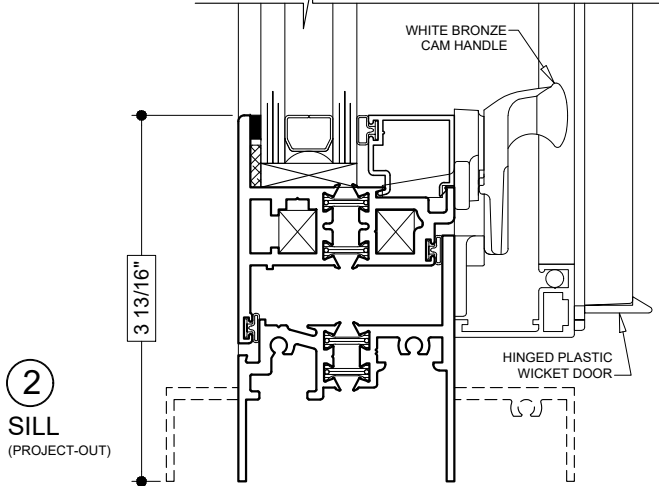
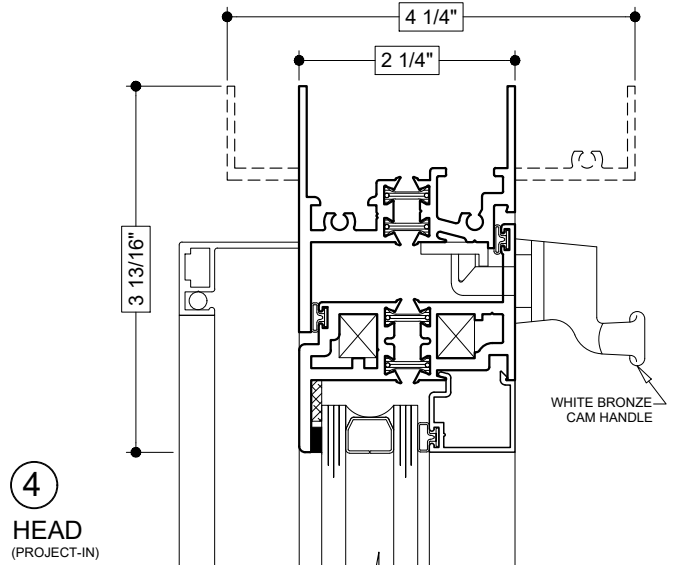
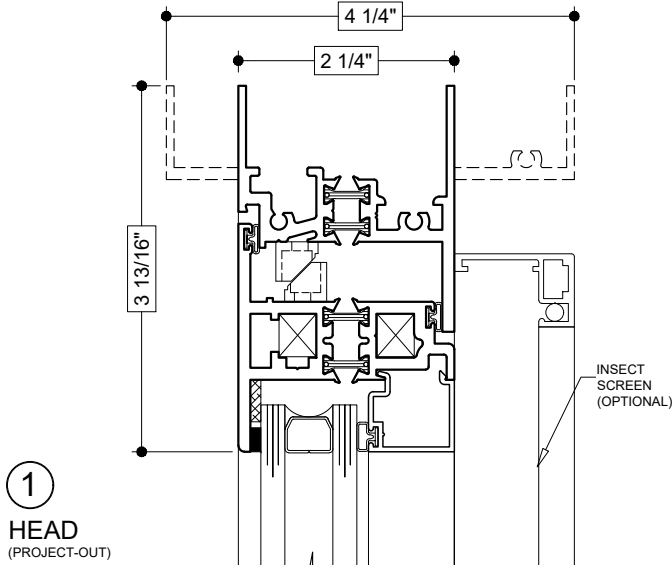
Details shown reflect the most commonly used configurations.
Contact AWM for additional details and/or assistance.

02/01/19



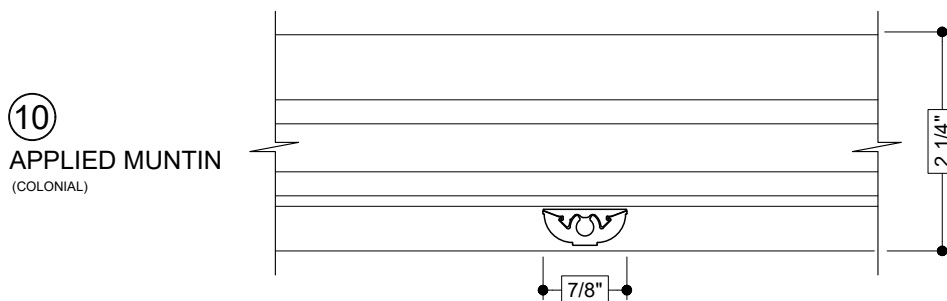
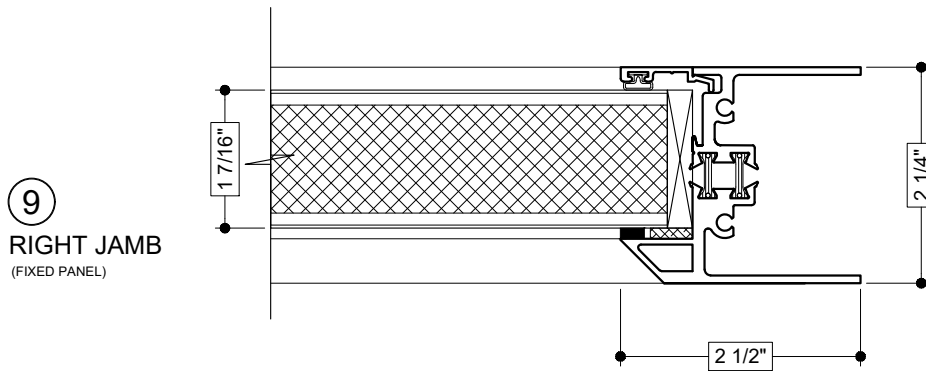
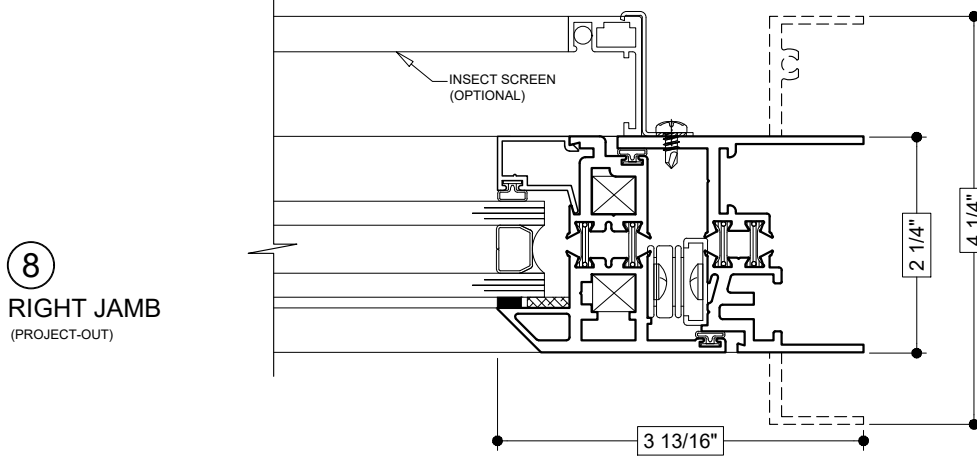
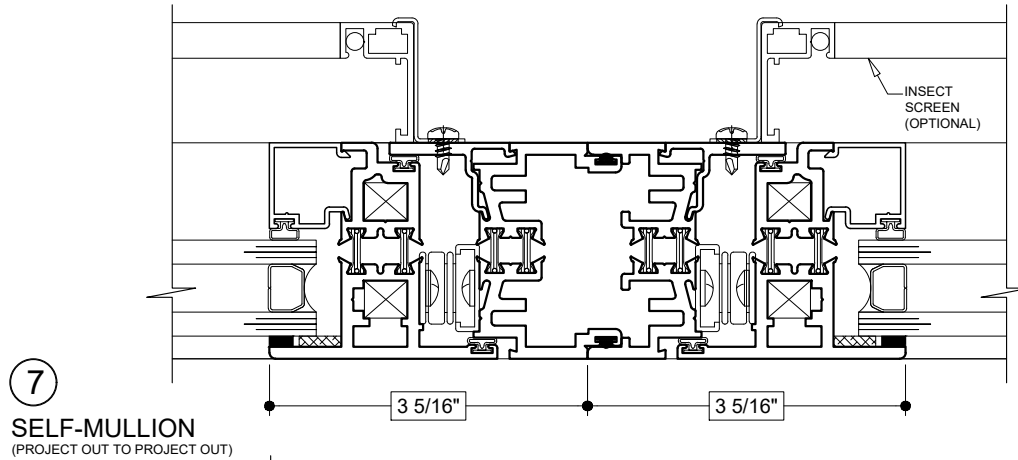
Details shown reflect the most commonly used configurations.
Contact AWM for additional details and/or assistance.

02/01/19



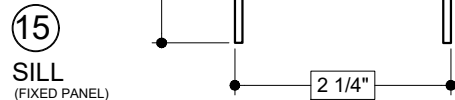
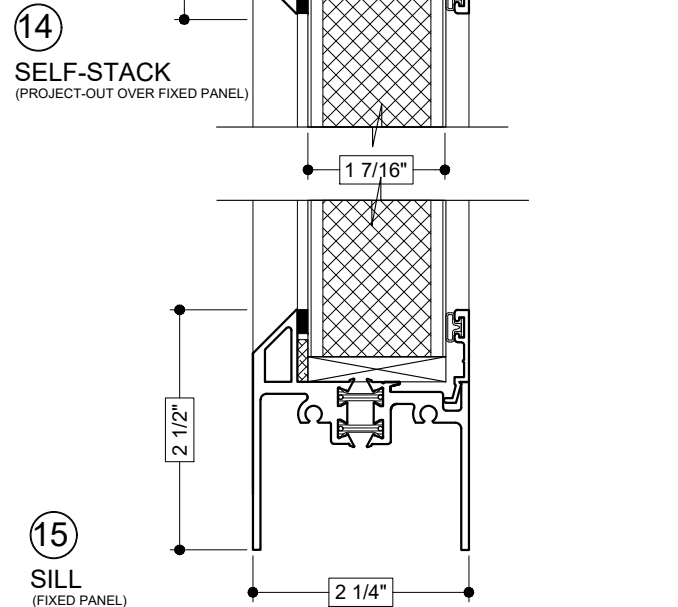
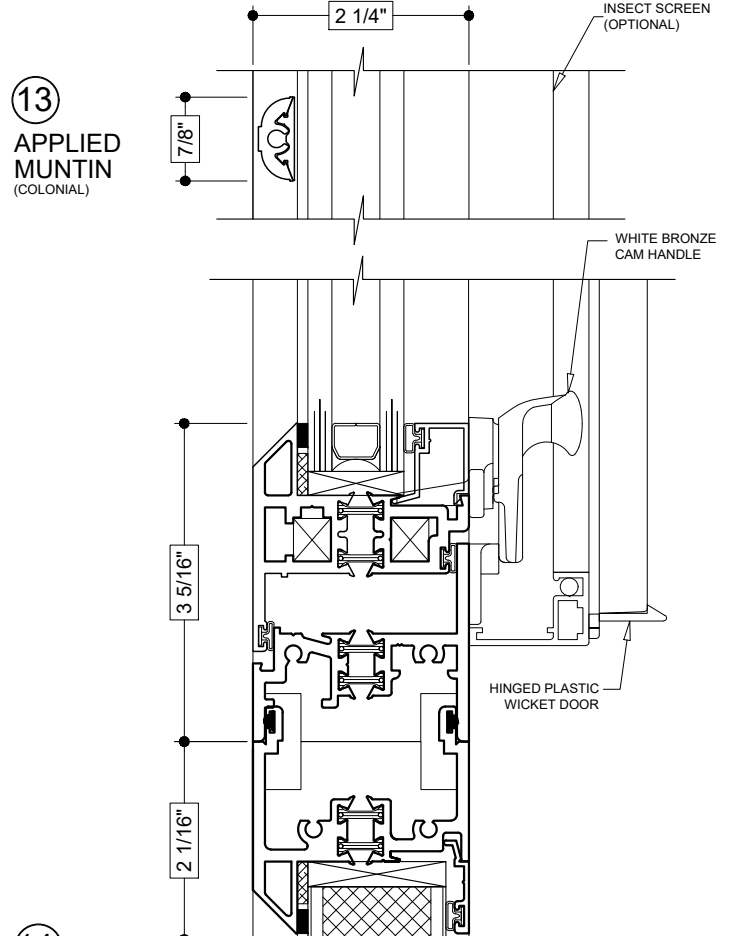
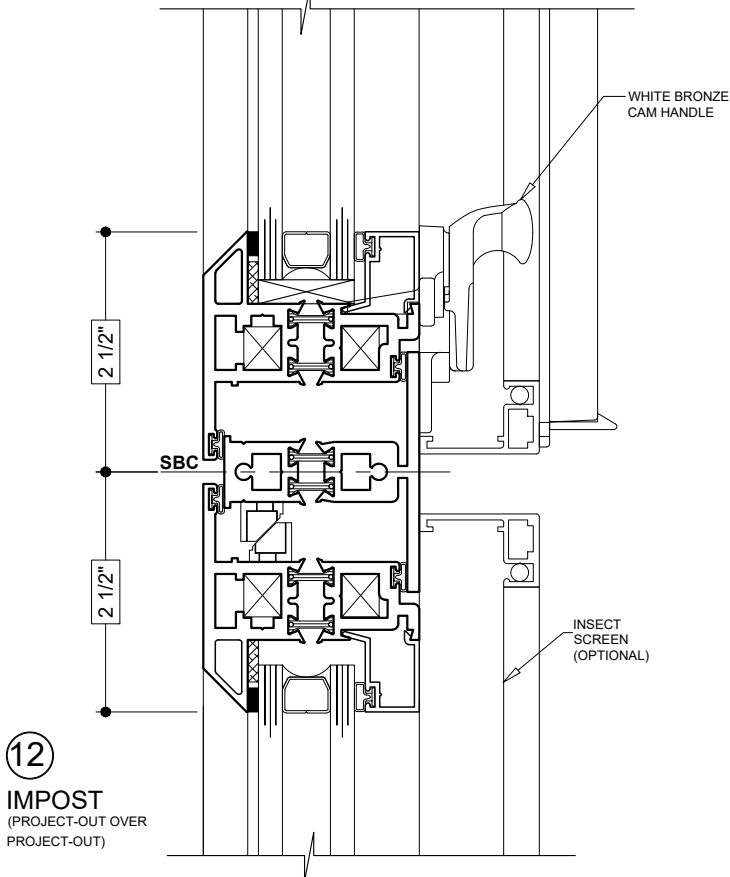
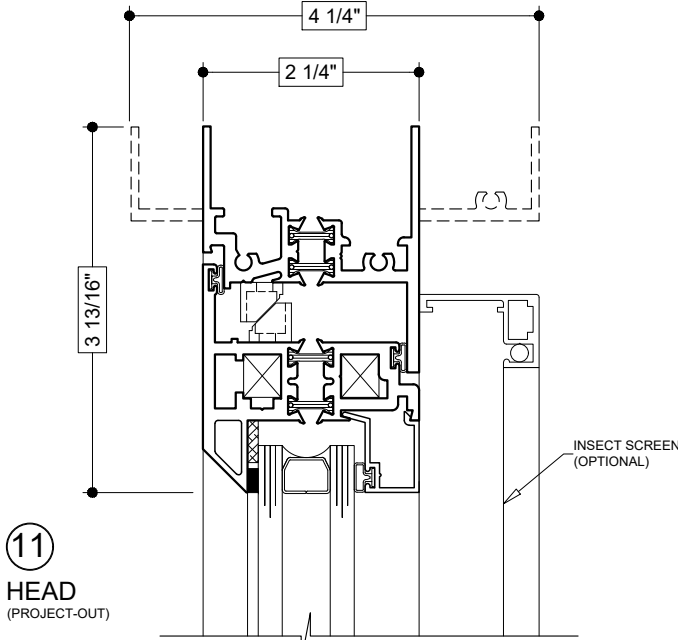
Details shown reflect the most commonly used configurations.
Contact AWM for additional details and/or assistance.

02/01/19



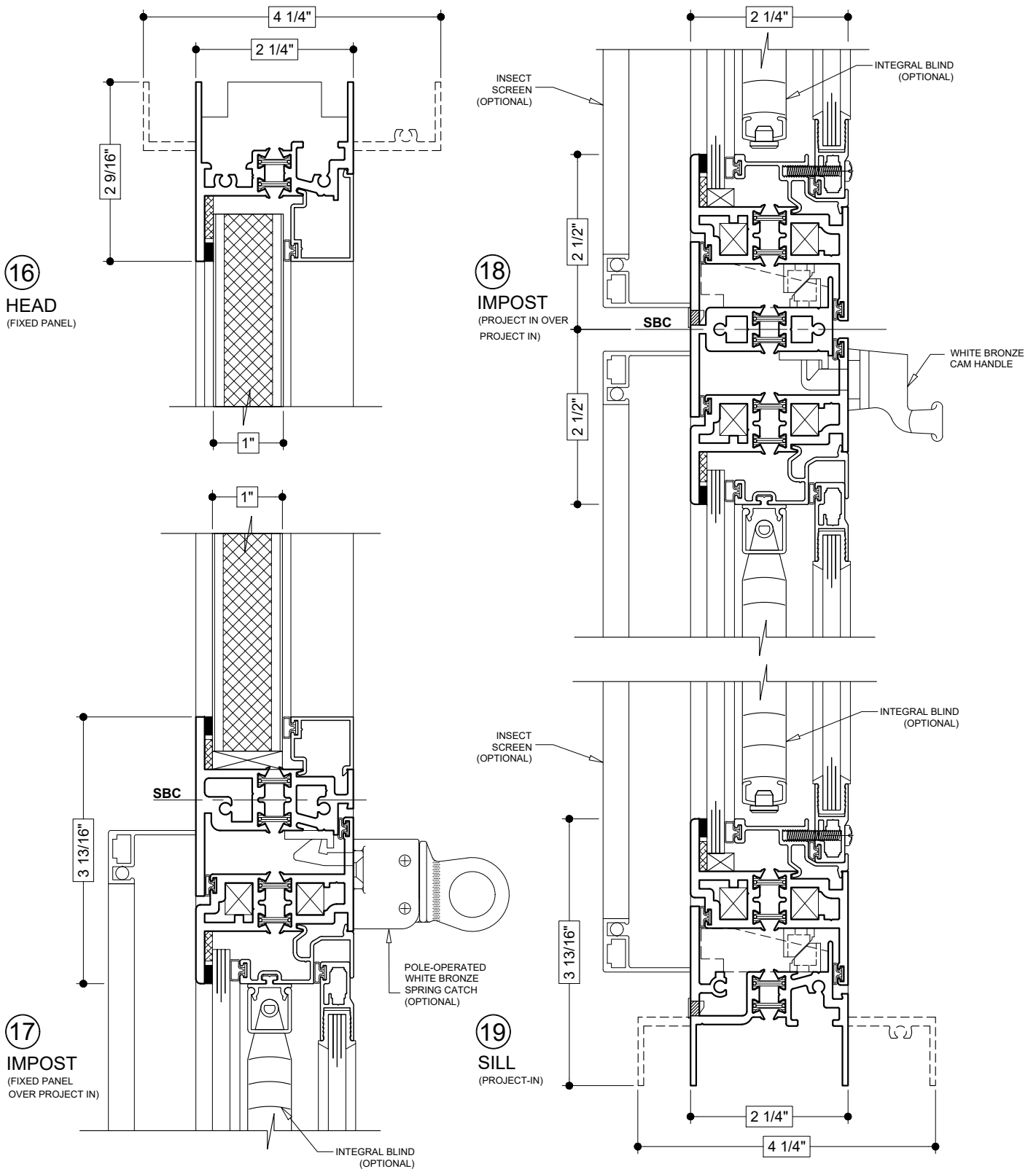
Details shown reflect the most commonly used configurations.
 Contact AWM for additional details and/or assistance.

02/01/19



Details shown reflect the most commonly used configurations.
Contact AWM for additional details and/or assistance.

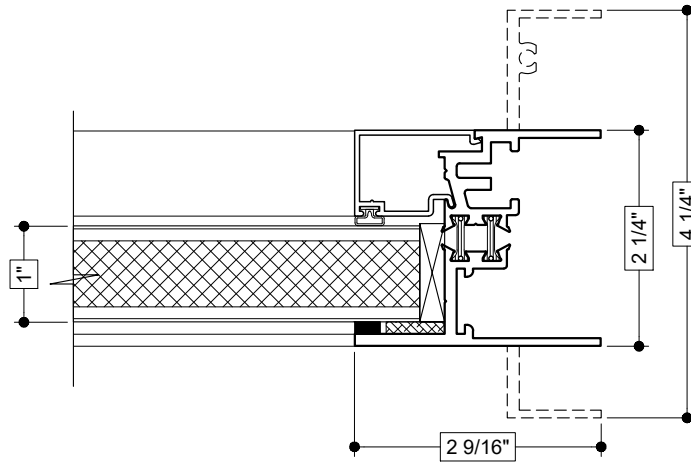
02/01/19



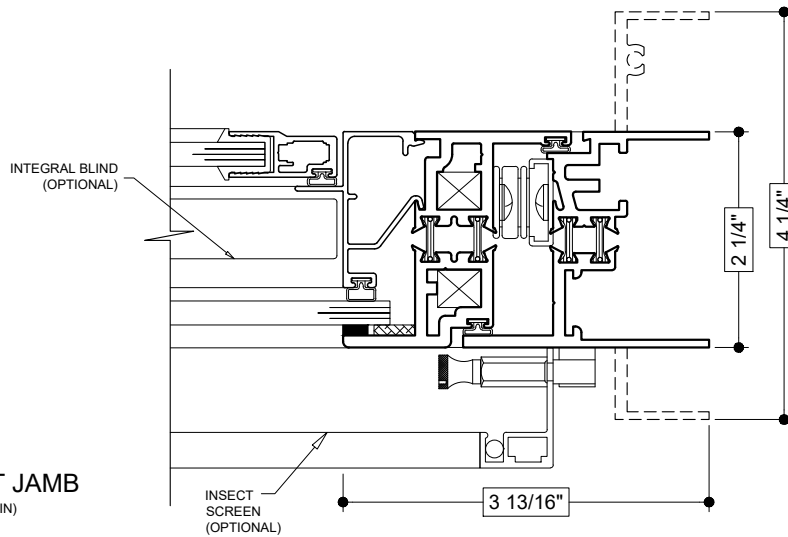
Details shown reflect the most commonly used configurations.
 Contact AWM for additional details and/or assistance.

02/01/19

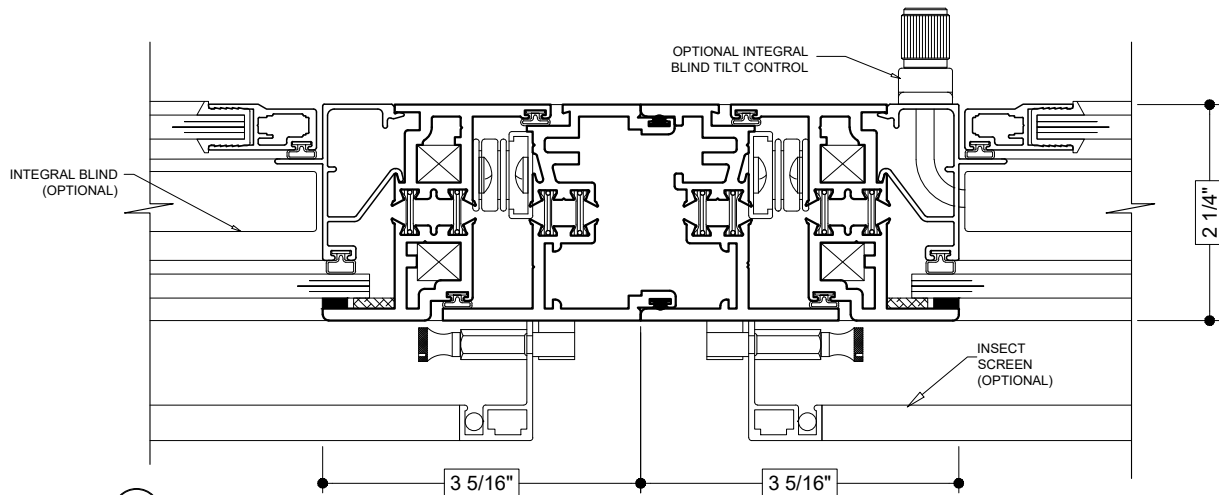
20
RIGHT JAMB
 (FIXED PANEL)



21
RIGHT JAMB
 (PROJECT-IN)

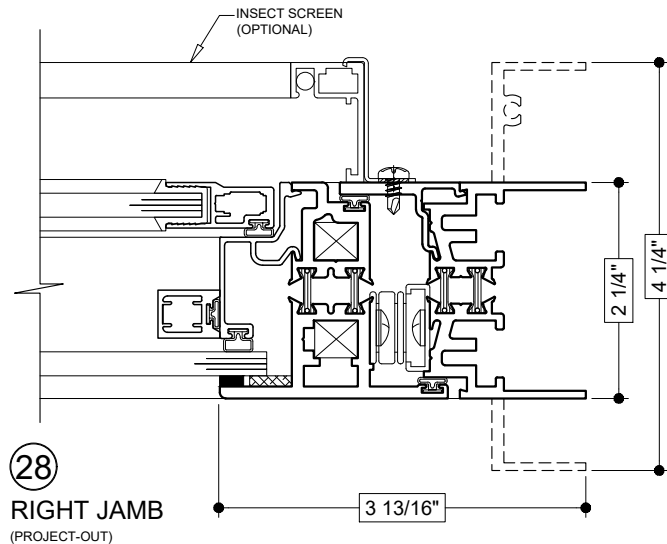
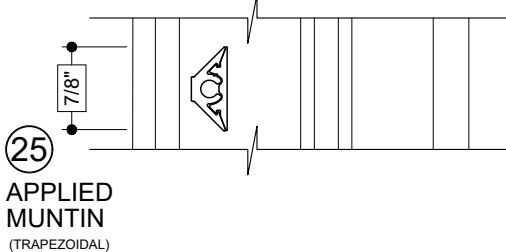
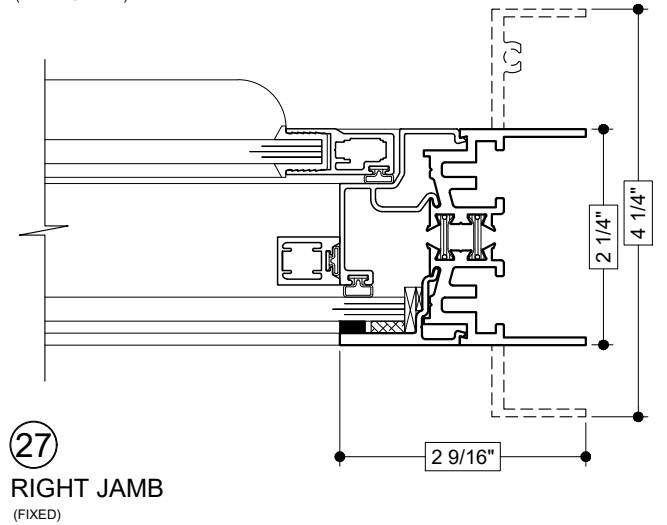
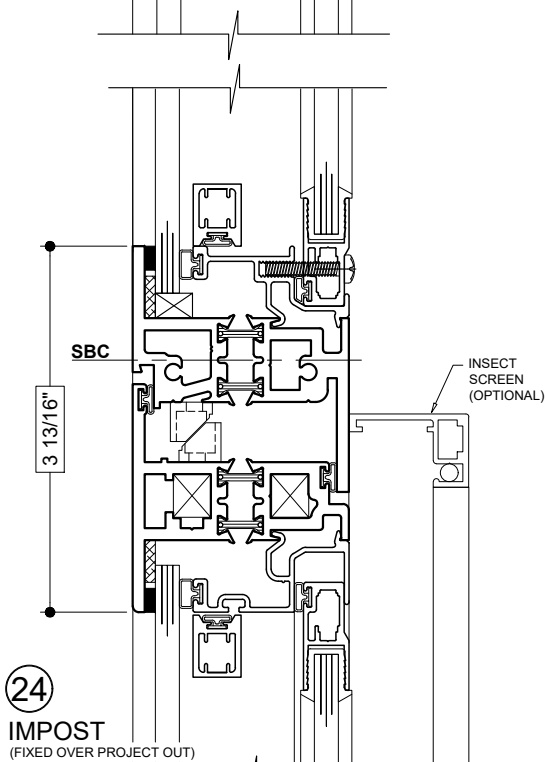
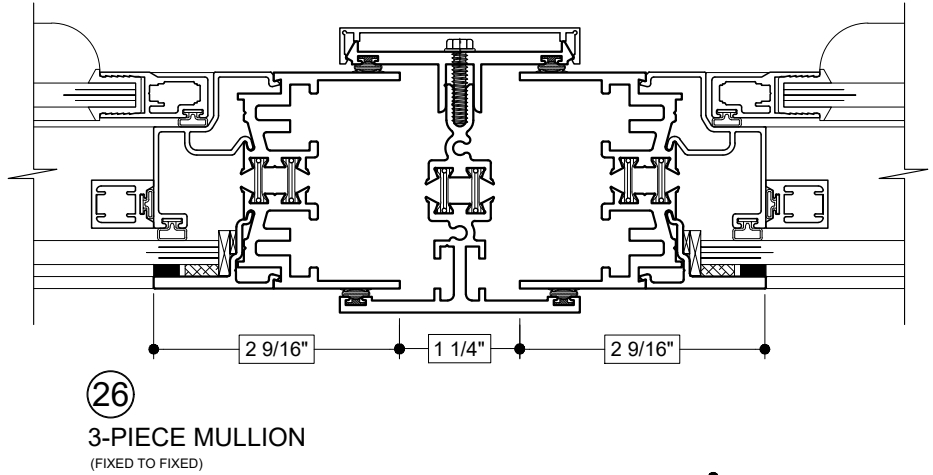
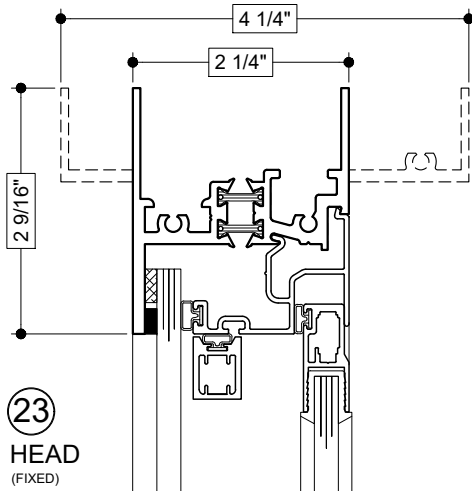


22
SELF-MULLION
 (PROJECT IN TO PROJECT IN)



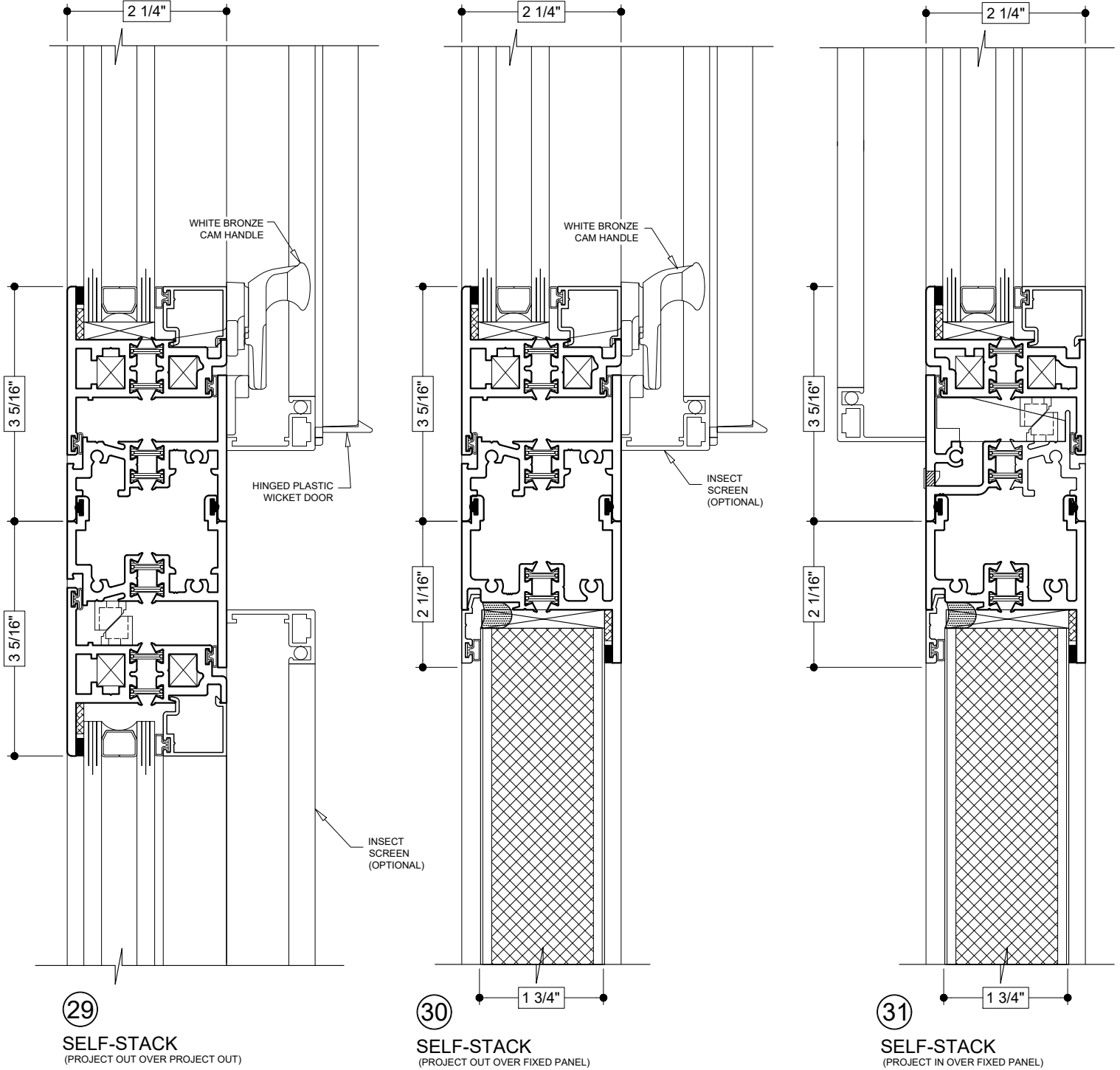
Details shown reflect the most commonly used configurations.
 Contact AWM for additional details and/or assistance.

02/01/19



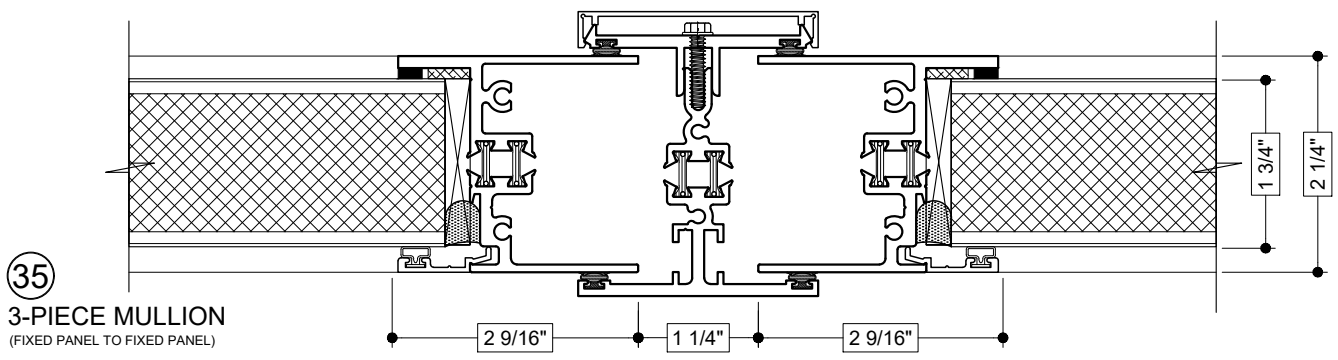
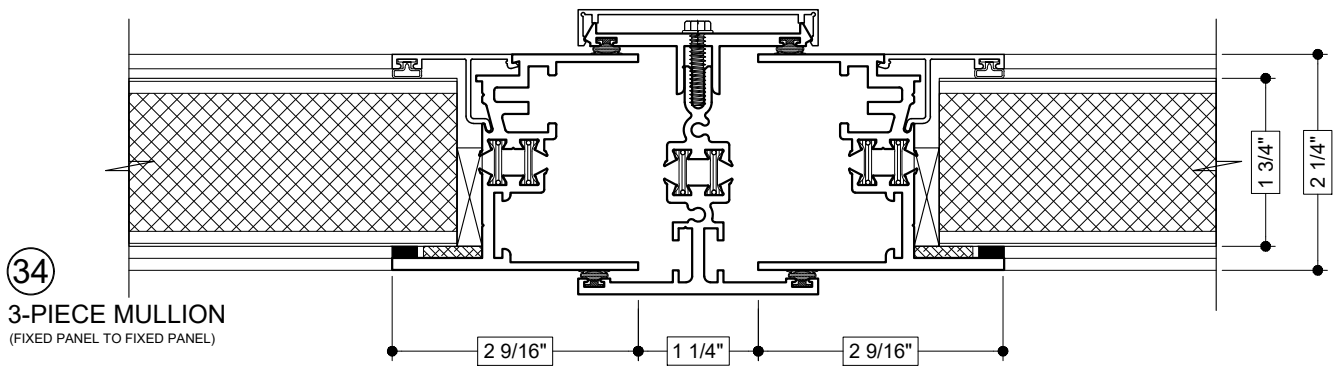
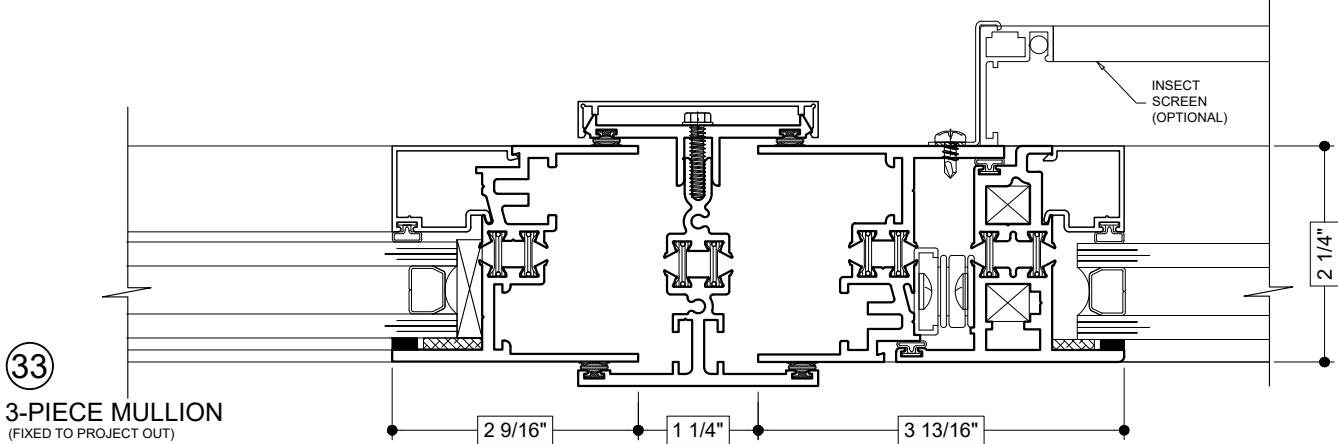
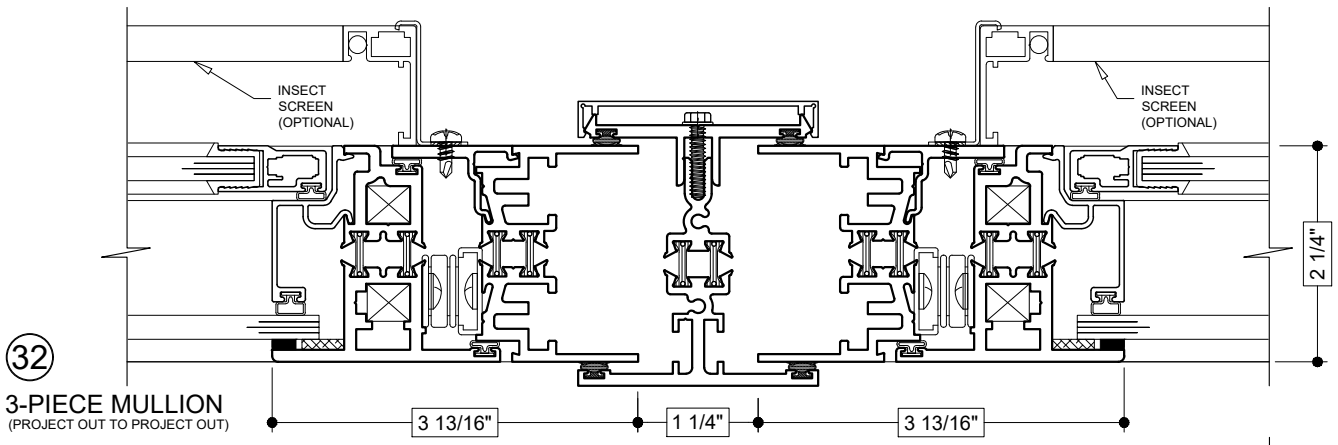
Details shown reflect the most commonly used configurations.
 Contact AWM for additional details and/or assistance.

02/01/19



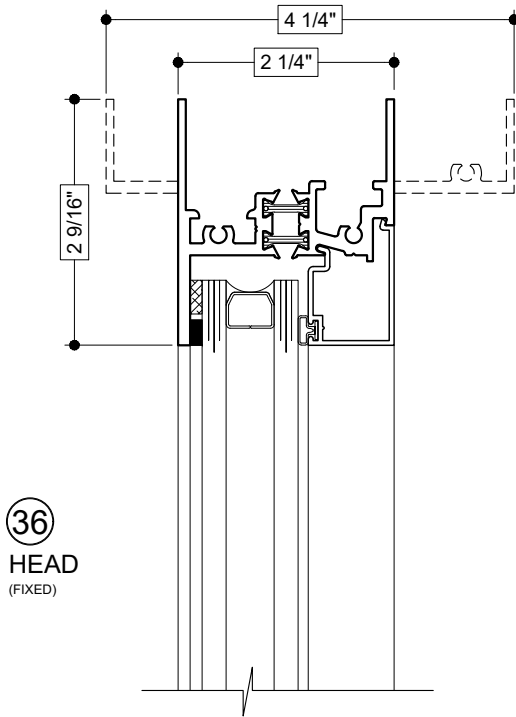
Details shown reflect the most commonly used configurations.
Contact AWM for additional details and/or assistance.

02/01/19

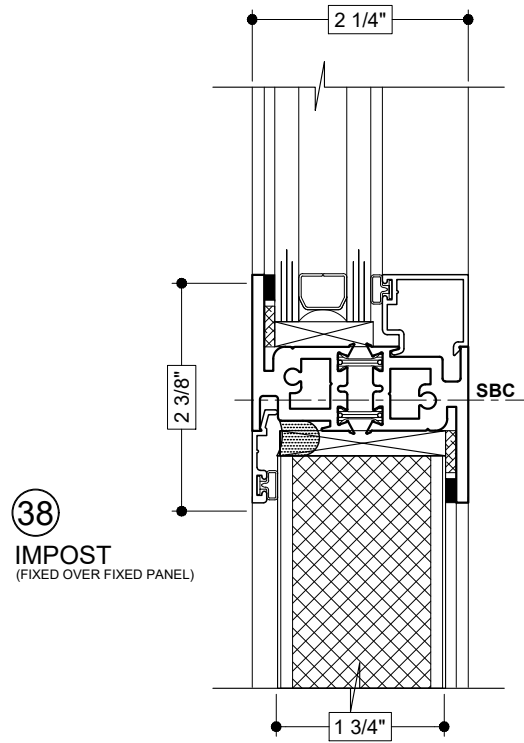


Details shown reflect the most commonly used configurations.
 Contact AWM for additional details and/or assistance.

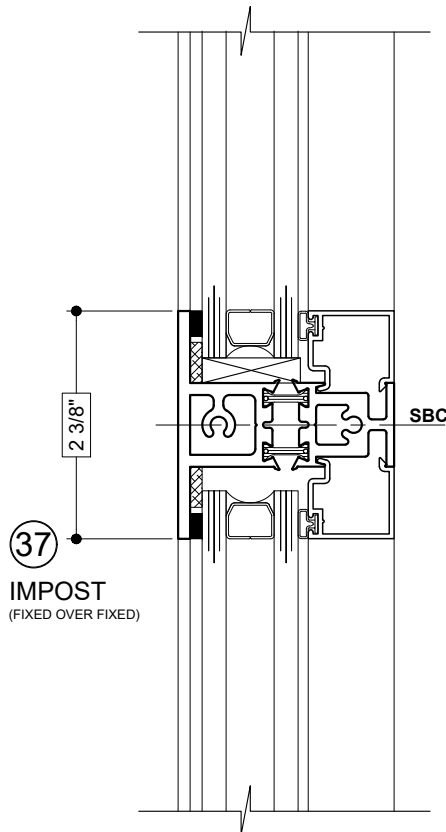
02/01/19



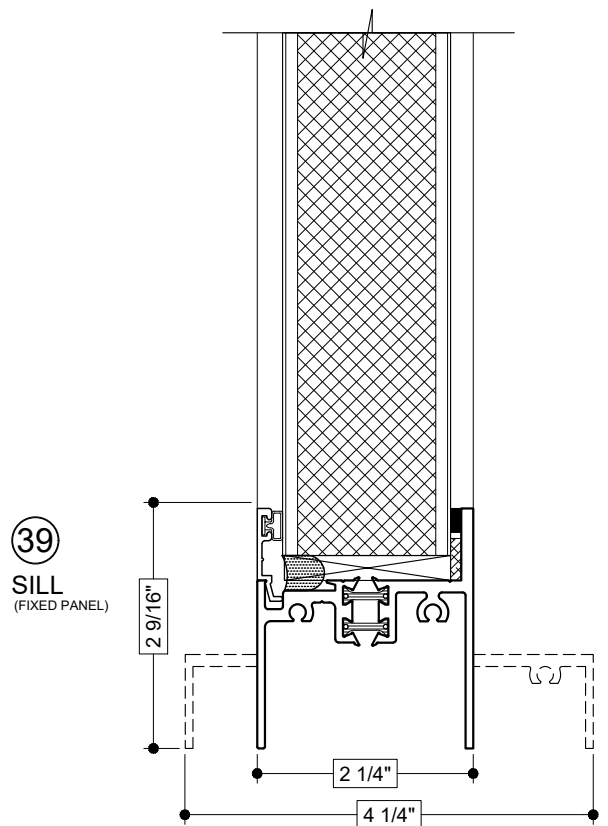
36
HEAD
 (FIXED)



38
IMPOST
 (FIXED OVER FIXED PANEL)



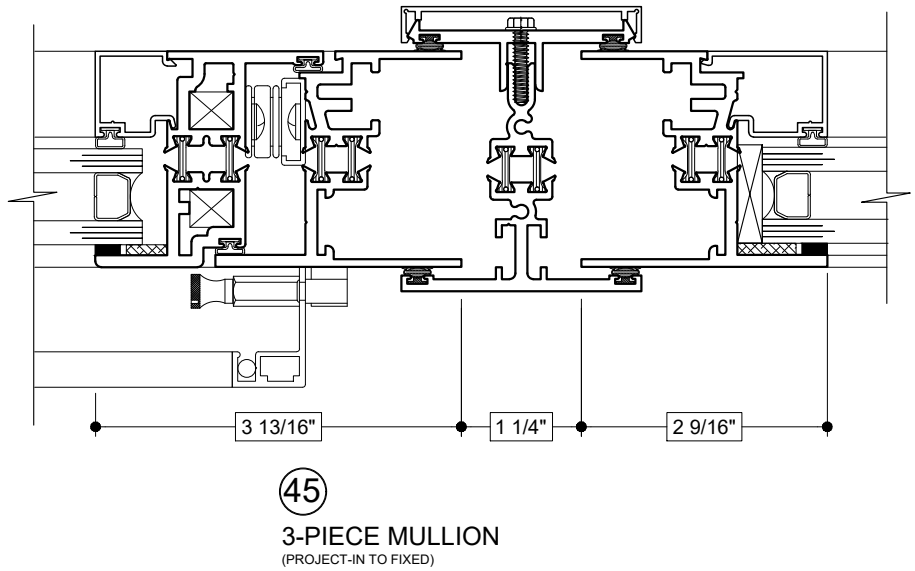
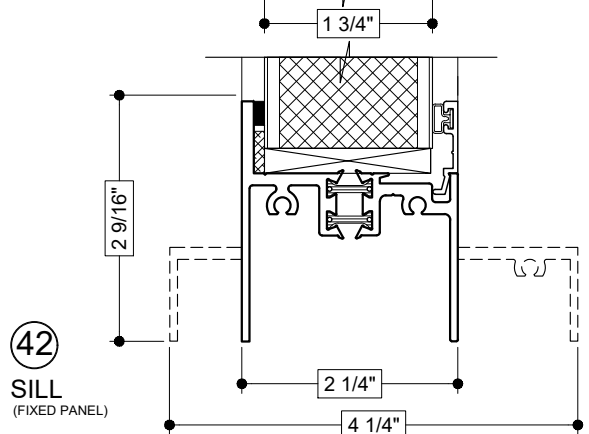
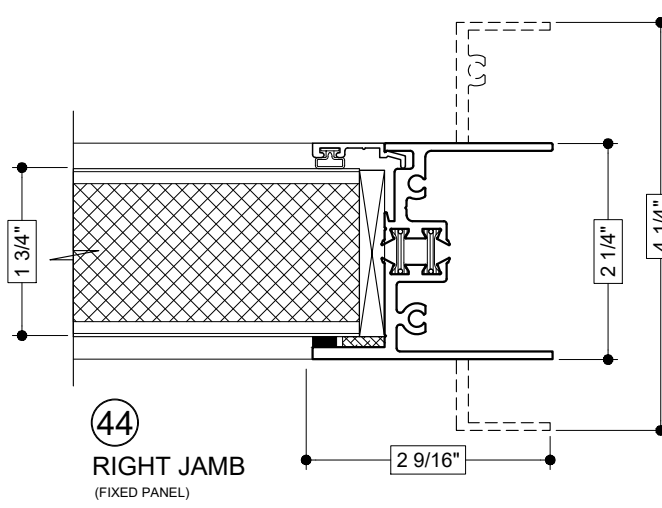
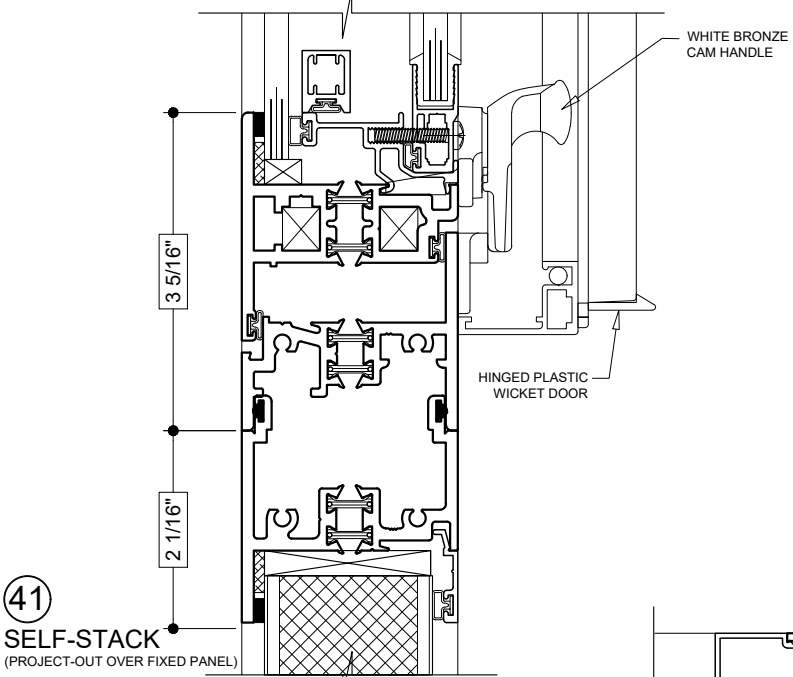
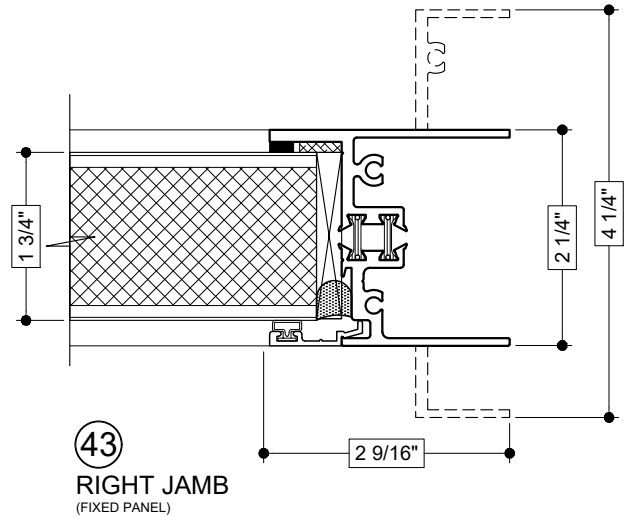
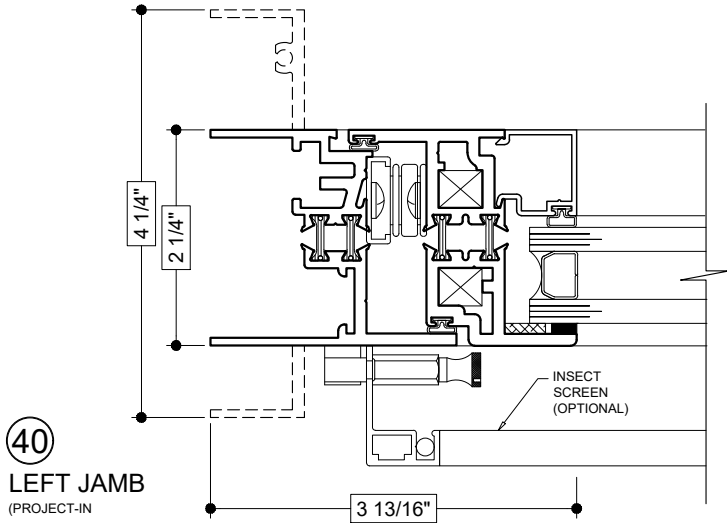
37
IMPOST
 (FIXED OVER FIXED)



39
SILL
 (FIXED PANEL)

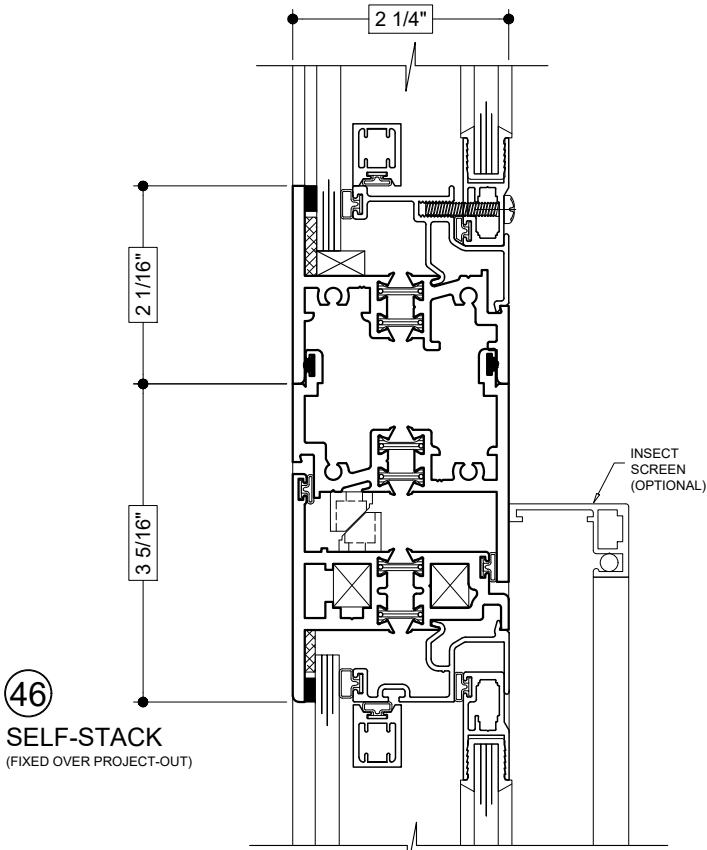
Details shown reflect the most commonly used configurations.
Contact AWM for additional details and/or assistance.

02/01/19

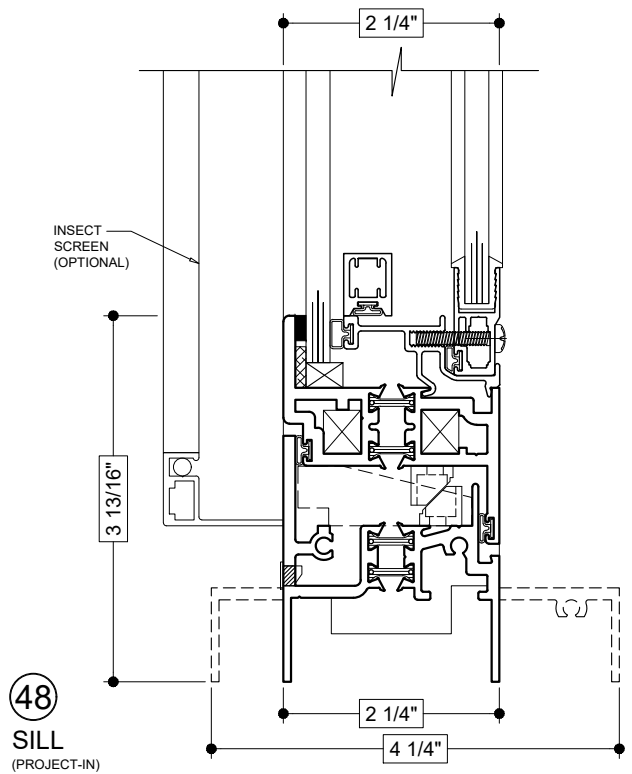


Details shown reflect the most commonly used configurations.
Contact AWM for additional details and/or assistance.

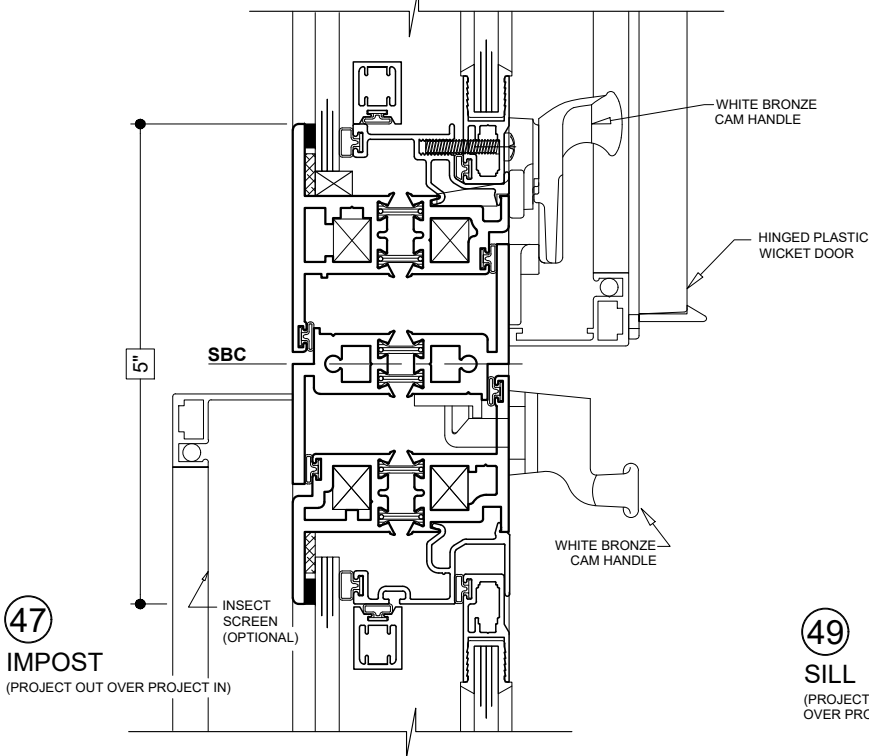
02/01/19



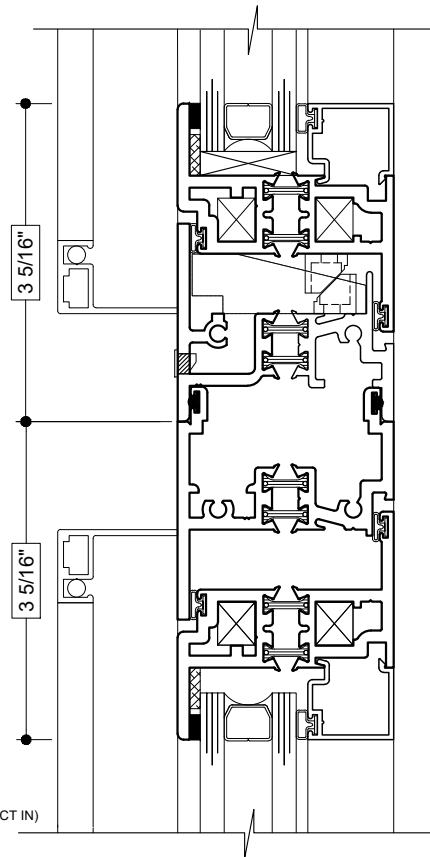
46
SELF-STACK
(FIXED OVER PROJECT-OUT)



48
SILL
(PROJECT-IN)



47
IMPOST
(PROJECT OUT OVER PROJECT IN)

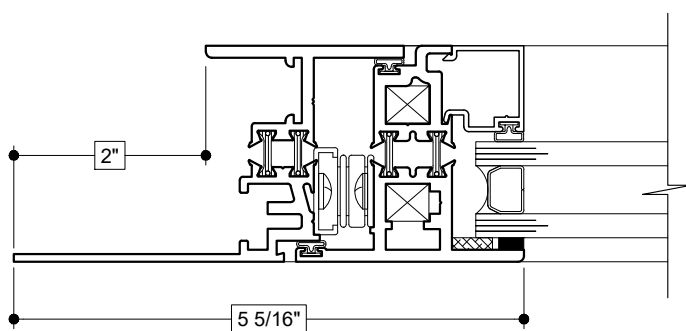
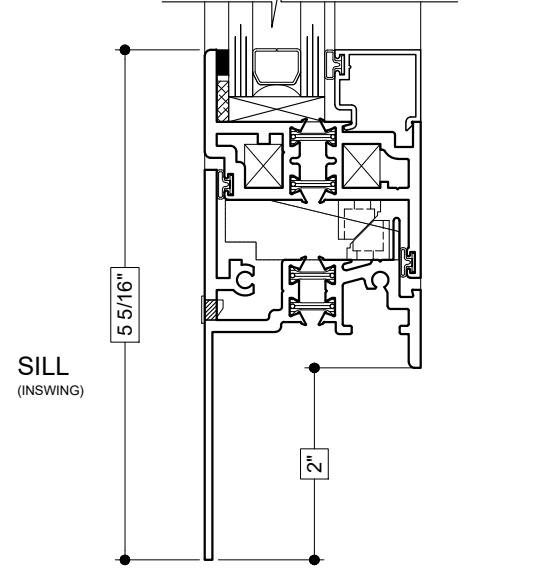
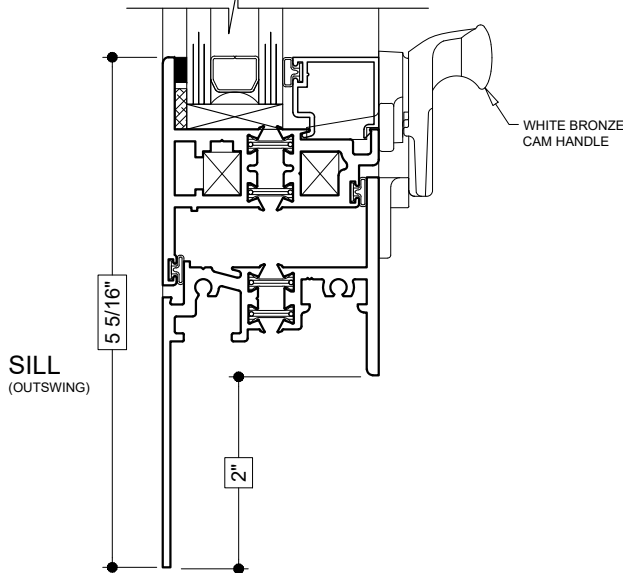
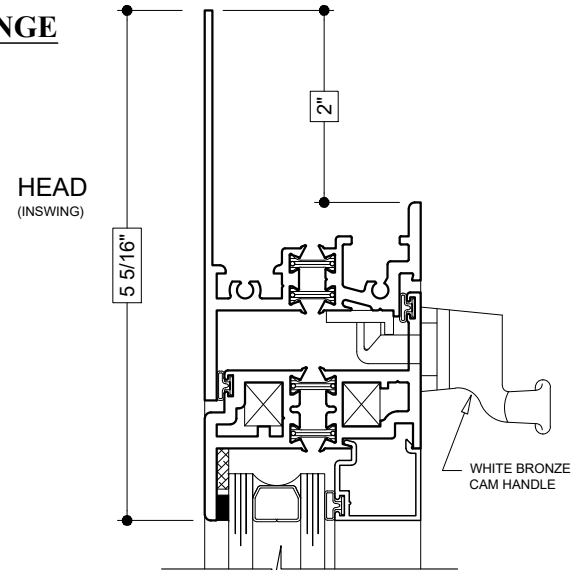
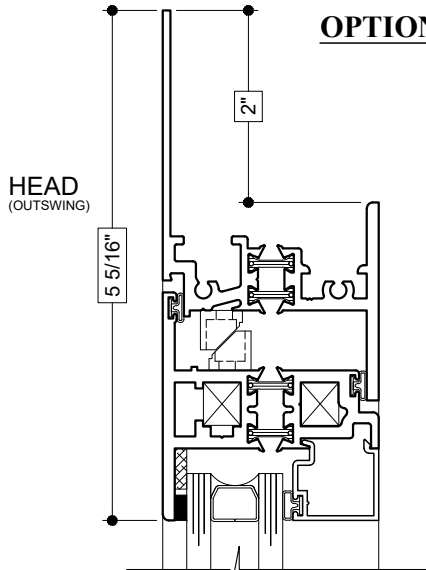


49
SILL
(PROJECT IN OVER PROJECT IN)

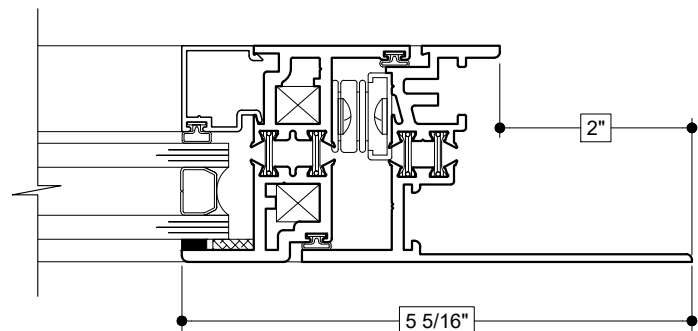
Details shown reflect the most commonly used configurations.
 Contact AWM for additional details and/or assistance.

02/01/19

OPTIONAL 2" EXTERIOR FLANGE



LEFT JAMB
(OUTSWING)



RIGHT JAMB
(INSWING)