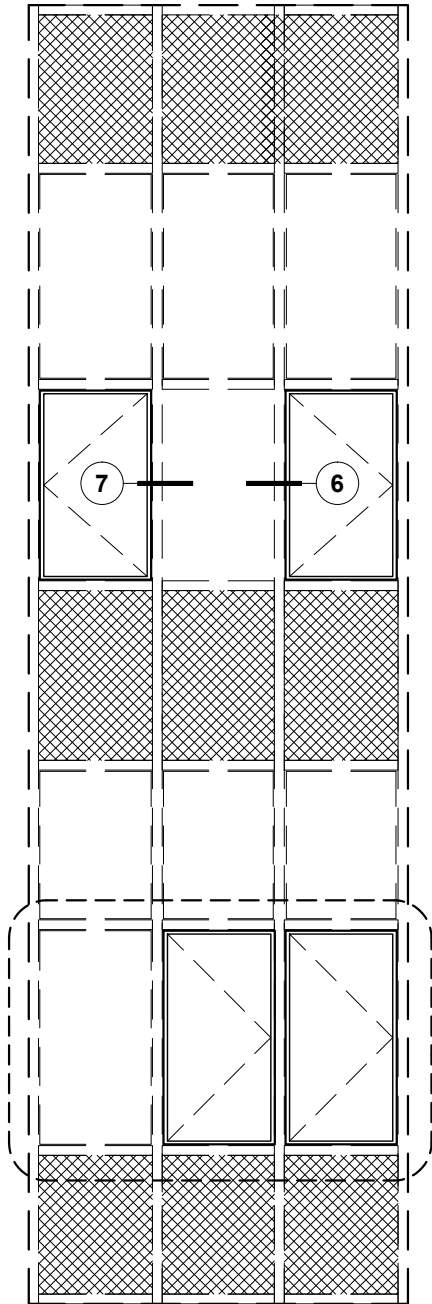
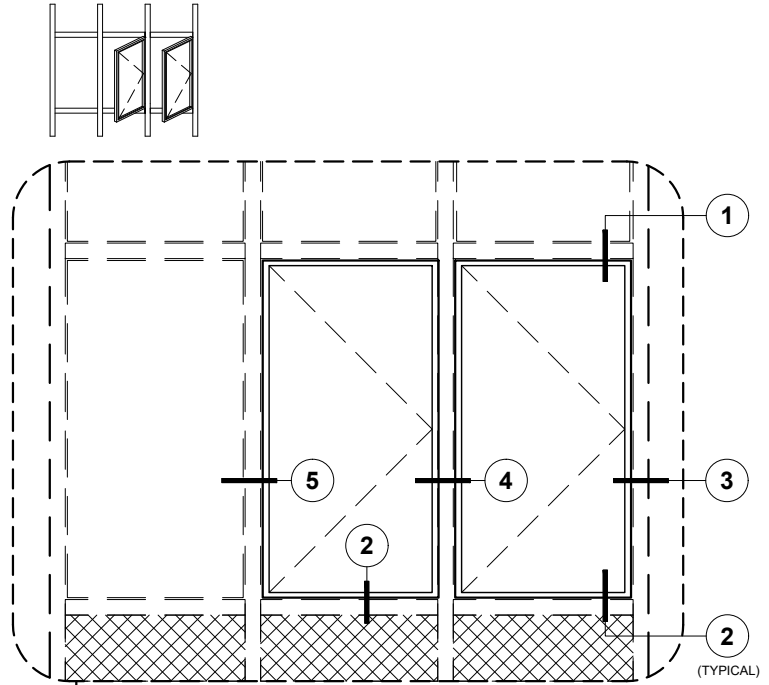


Details shown reflect the most commonly used configurations.
 Contact AWM for additional details and/or assistance.

11/15/19



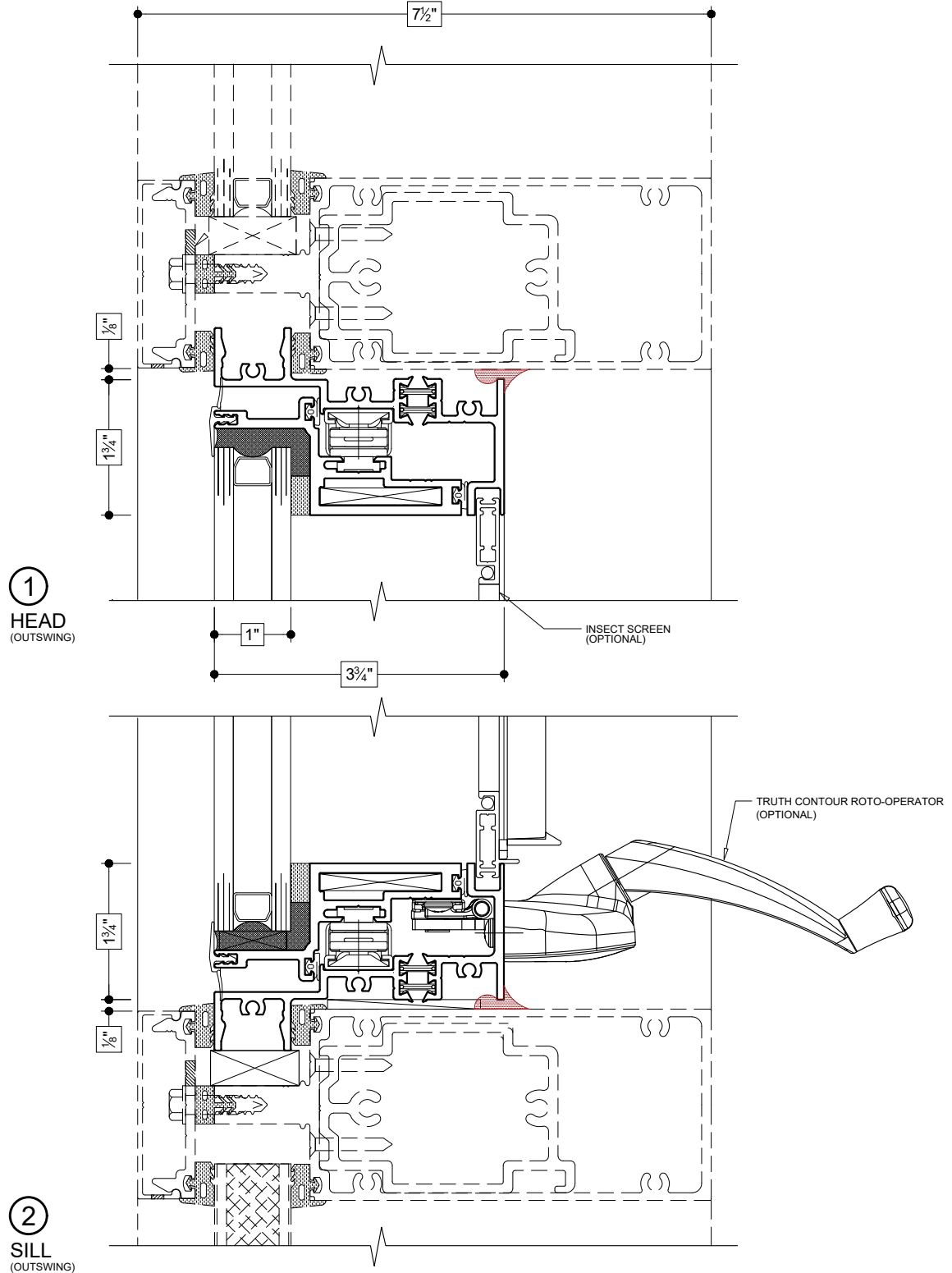
ELEVATION



DETAIL ELEVATION

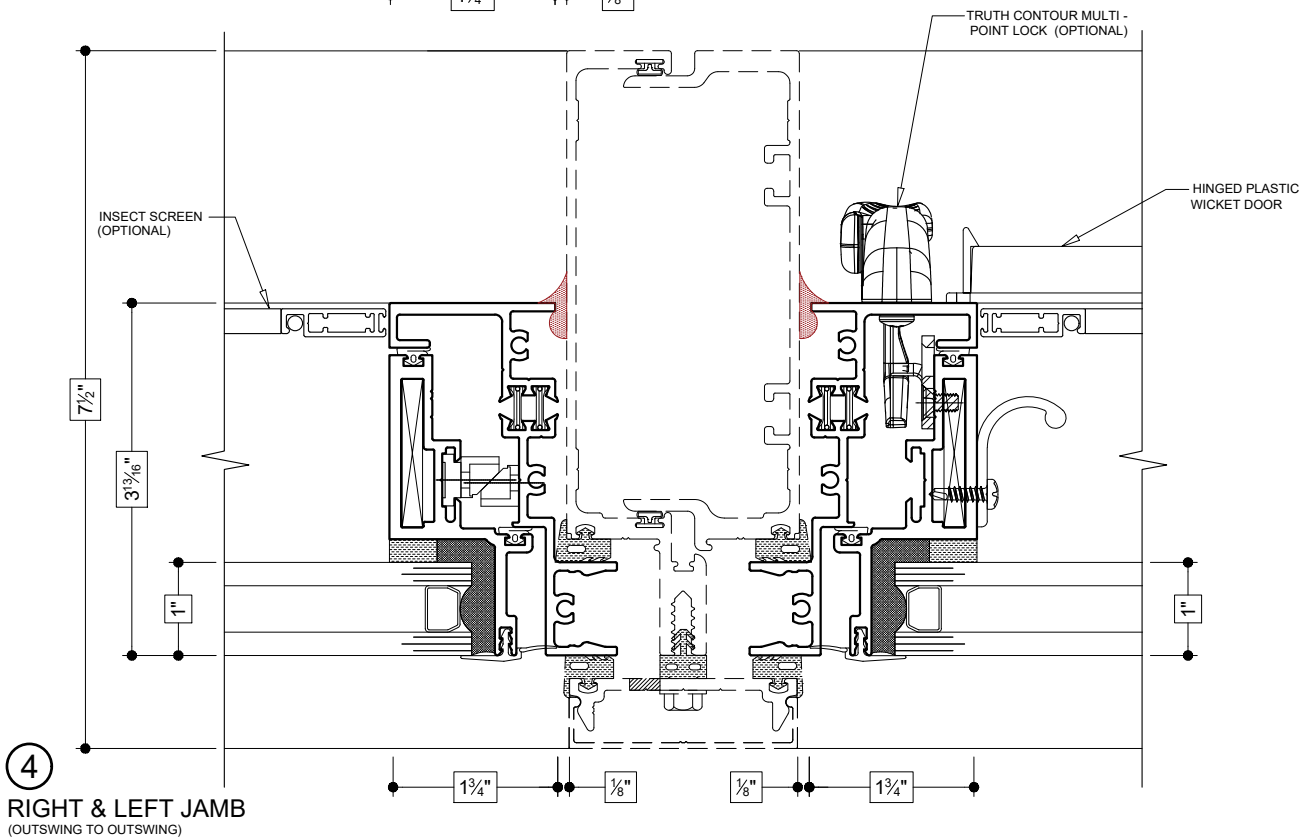
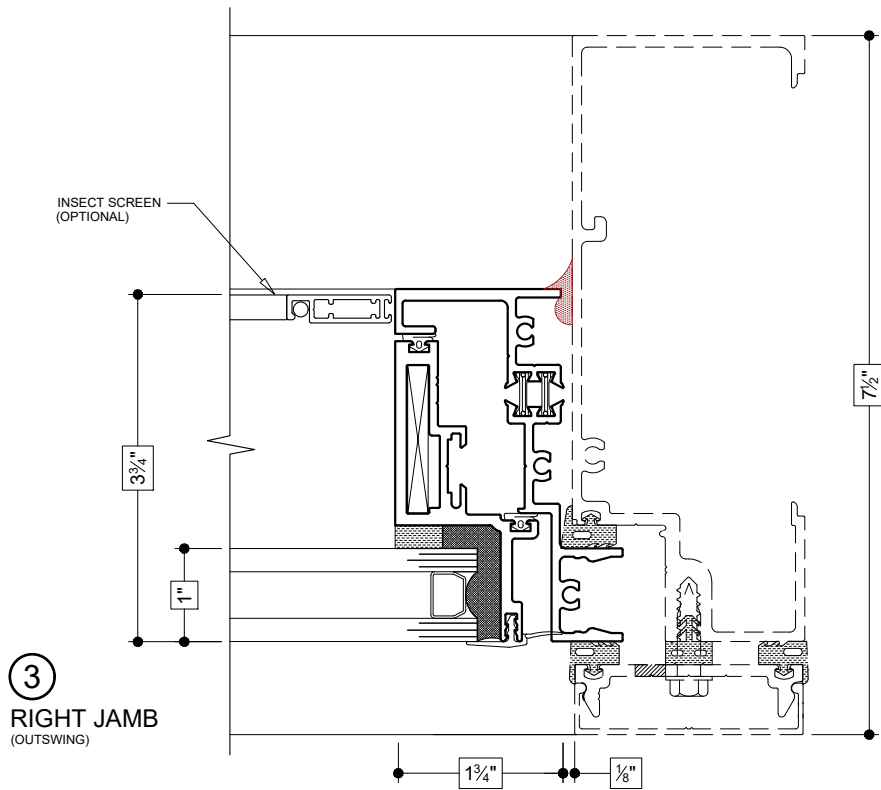
Details shown reflect the most commonly used configurations.
 Contact AWM for additional details and/or assistance.

11/15/19



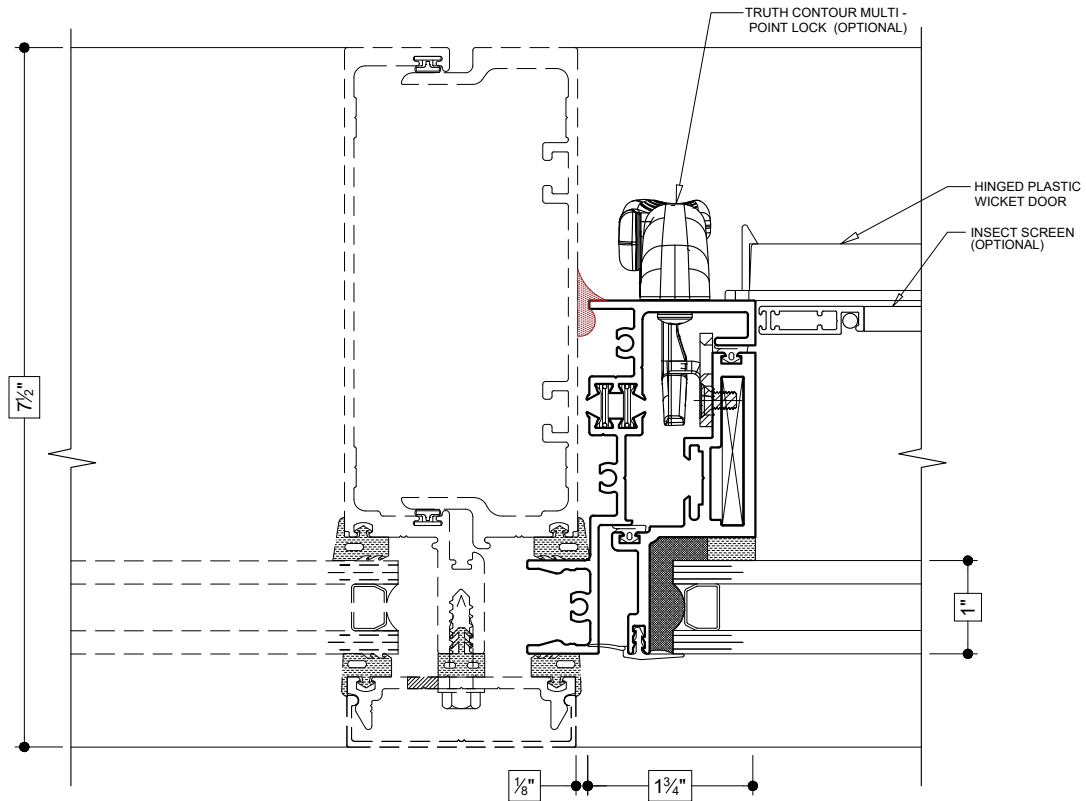
Details shown reflect the most commonly used configurations.
Contact AWM for additional details and/or assistance.

11/15/19



Details shown reflect the most commonly used configurations.
 Contact AWM for additional details and/or assistance.

11/15/19



5
RIGHT & LEFT JAMB
 (OUTSWING)

Details shown reflect the most commonly used configurations.
Contact AWM for additional details and/or assistance.

11/15/19

