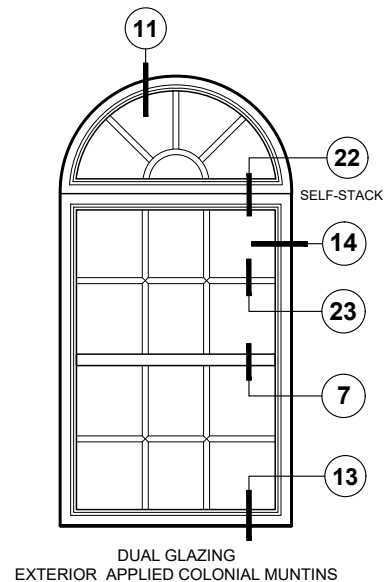
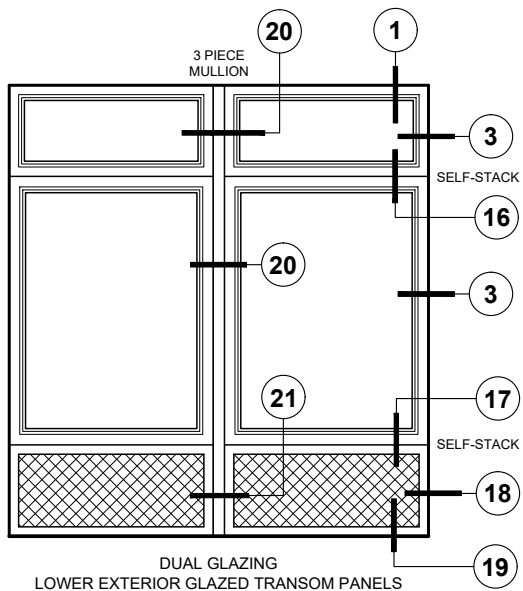
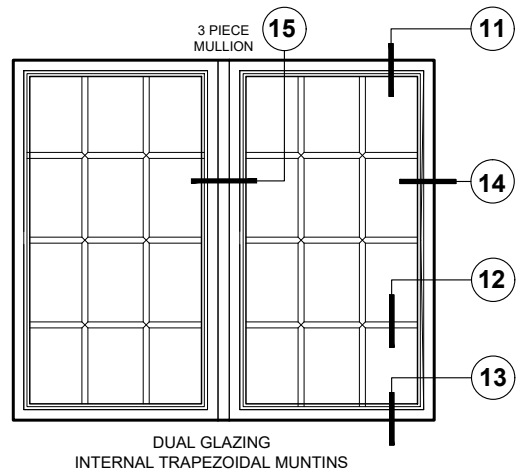
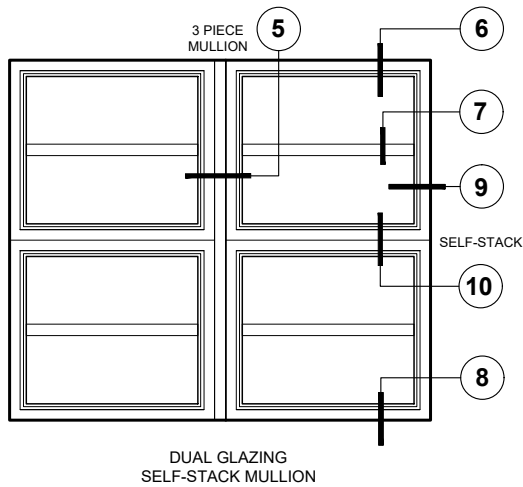
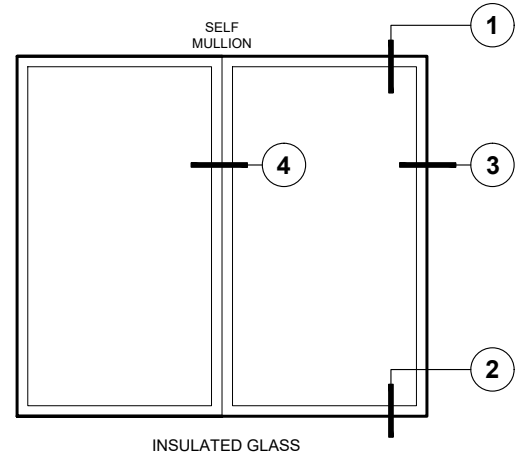
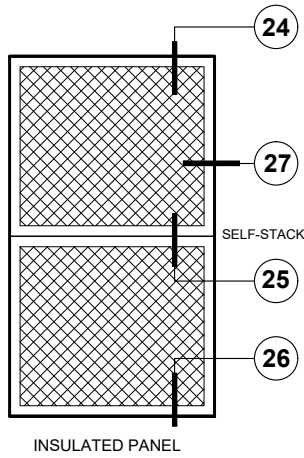
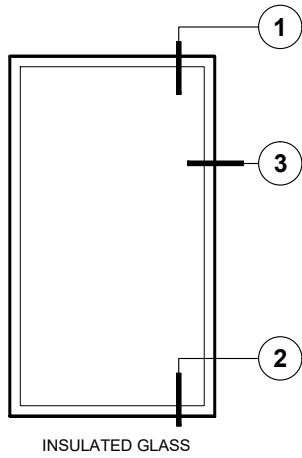


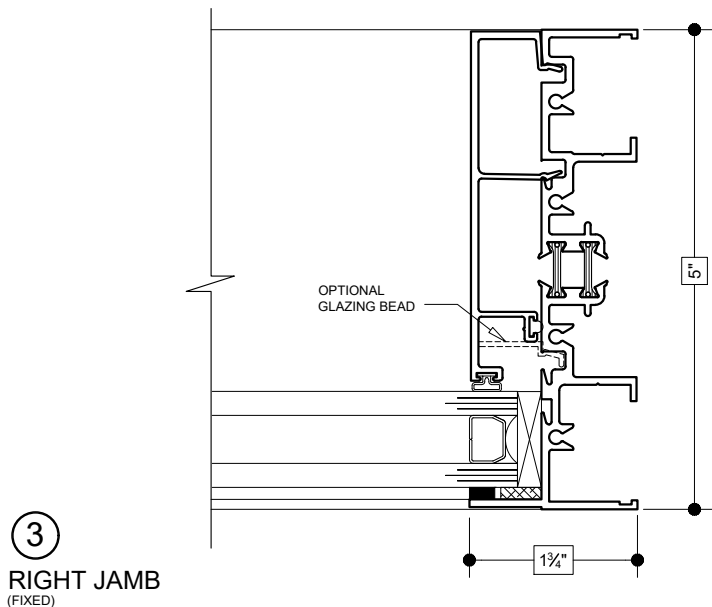
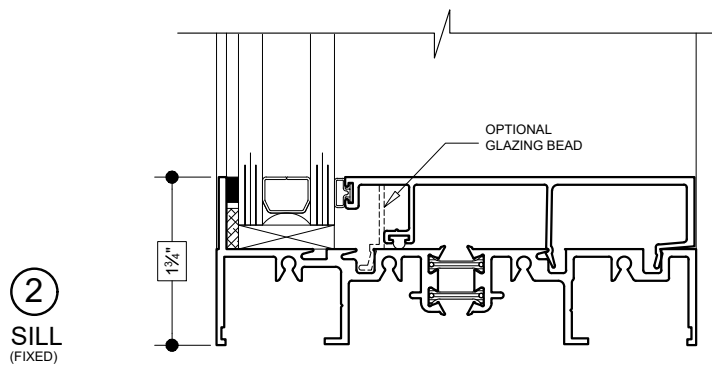
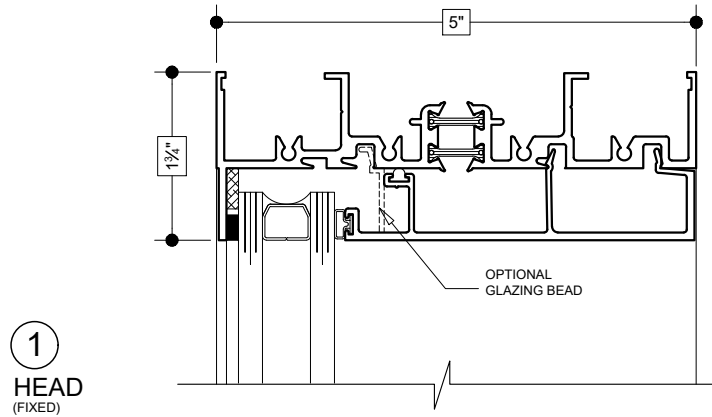
Details shown reflect the most commonly used configurations.  
 Contact AWM for additional details and/or assistance.

03/15/19



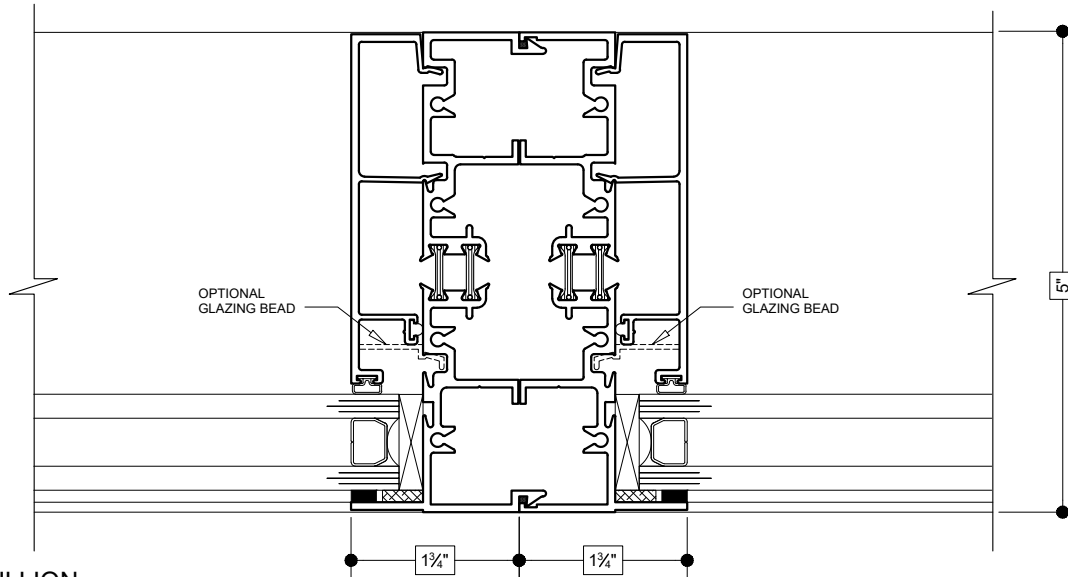
Details shown reflect the most commonly used configurations.  
 Contact AWM for additional details and/or assistance.

03/15/19

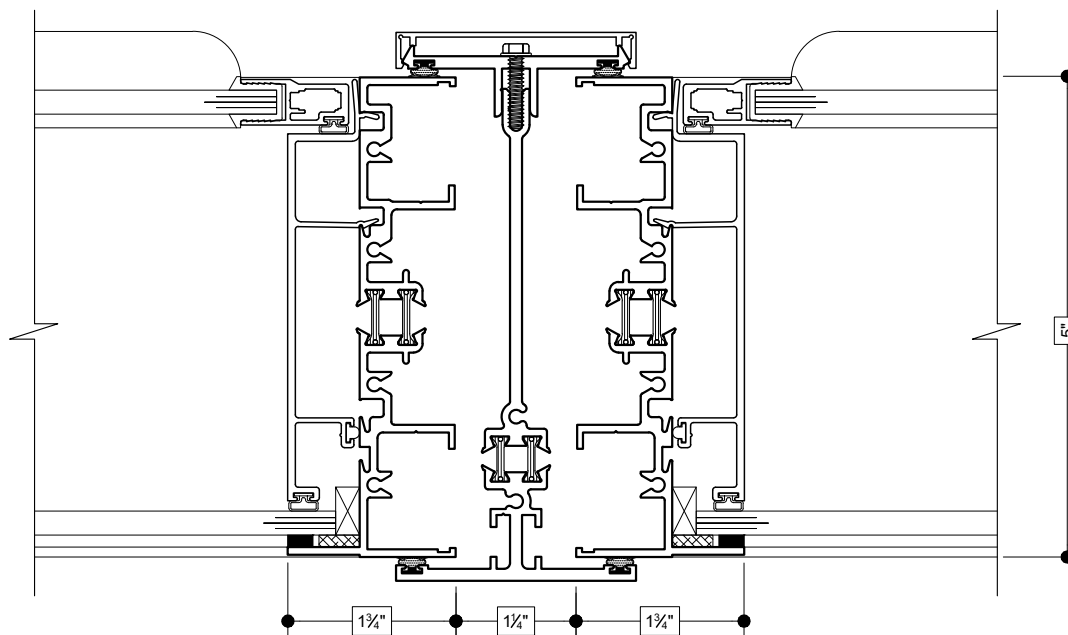


Details shown reflect the most commonly used configurations.  
 Contact AWM for additional details and/or assistance.

03/15/19



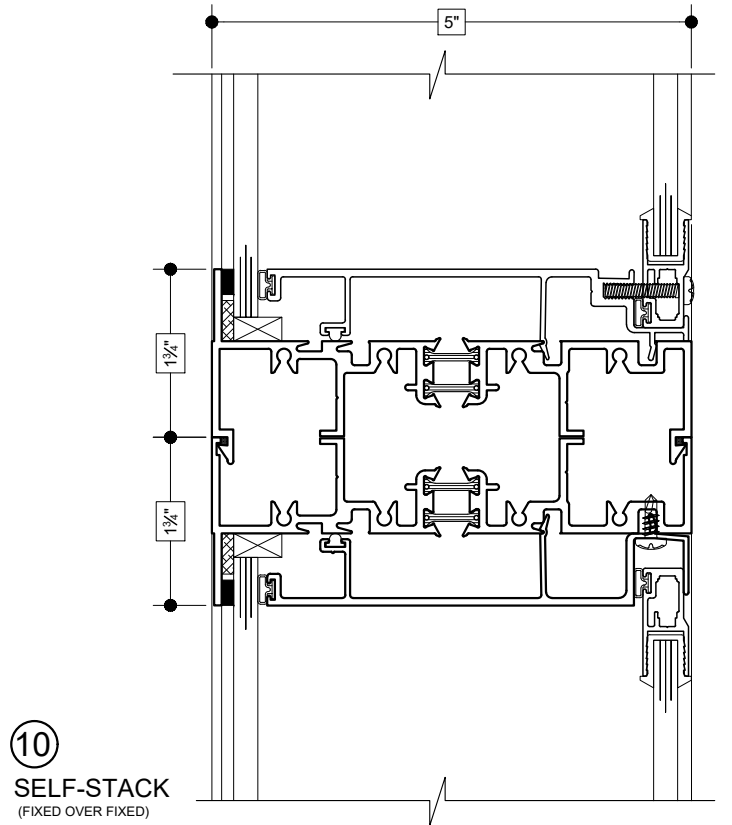
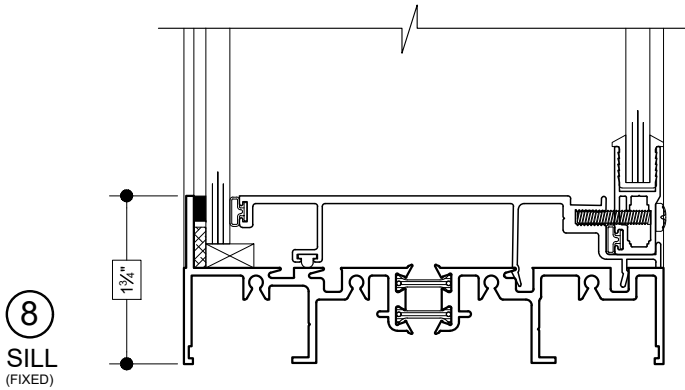
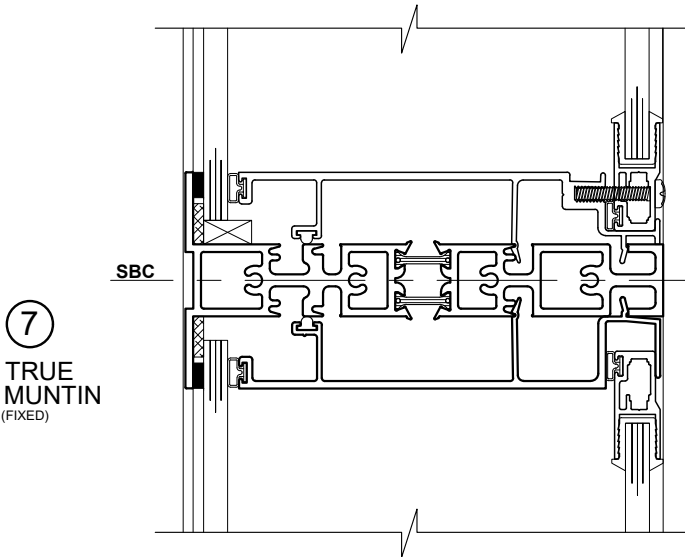
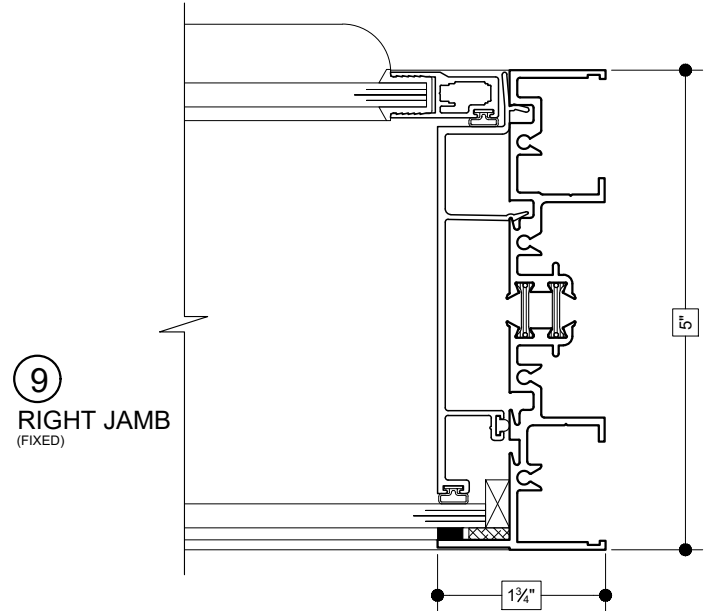
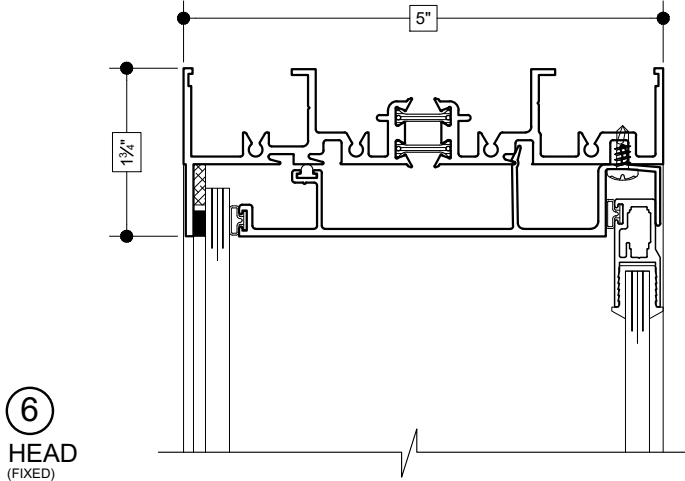
④  
**SELF-MULLION**  
 (FIXED TO FIXED)



⑤  
**3-PIECE MULLION**  
 (FIXED TO FIXED)

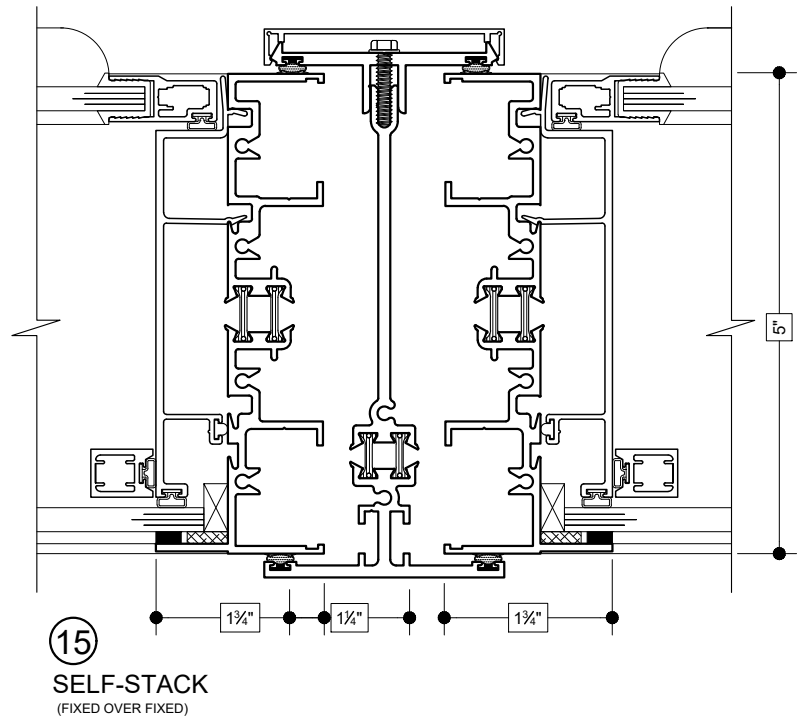
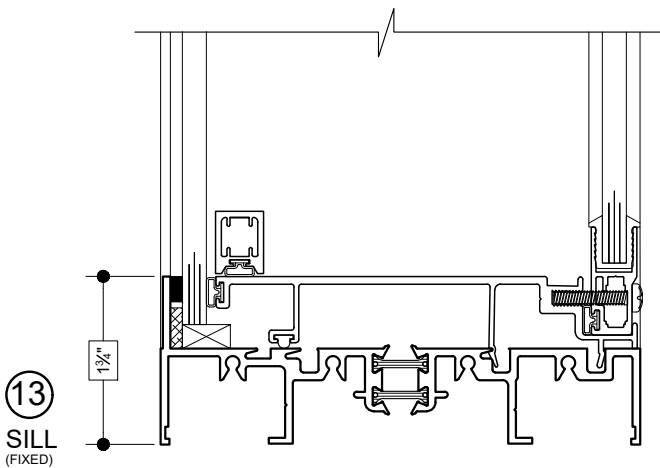
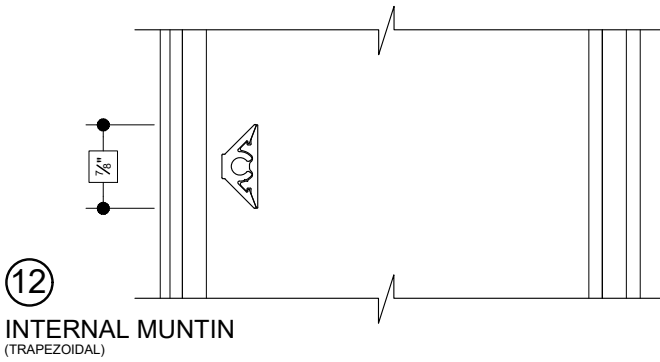
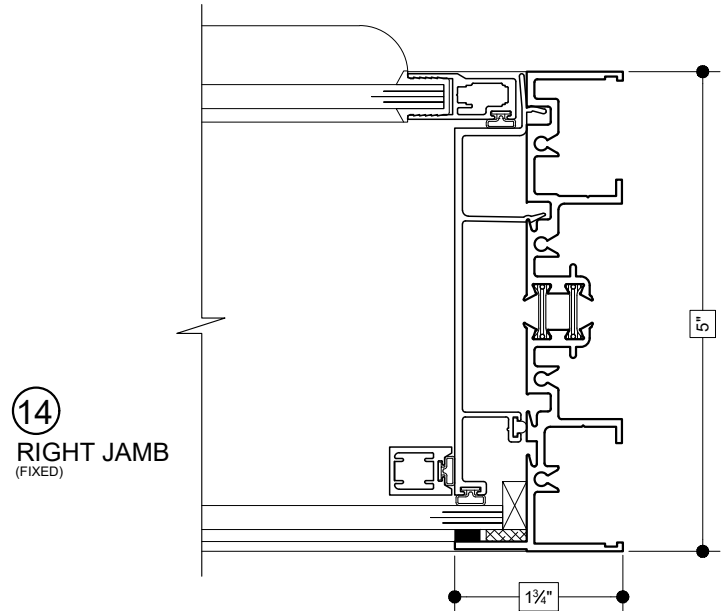
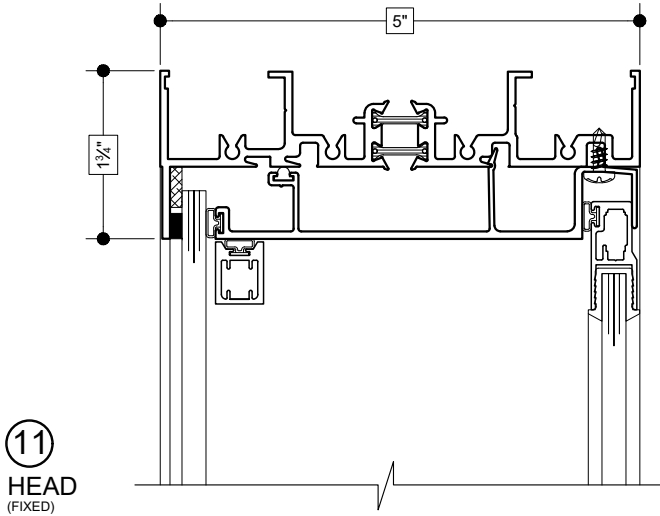
Details shown reflect the most commonly used configurations.  
Contact AWM for additional details and/or assistance.

03/15/19



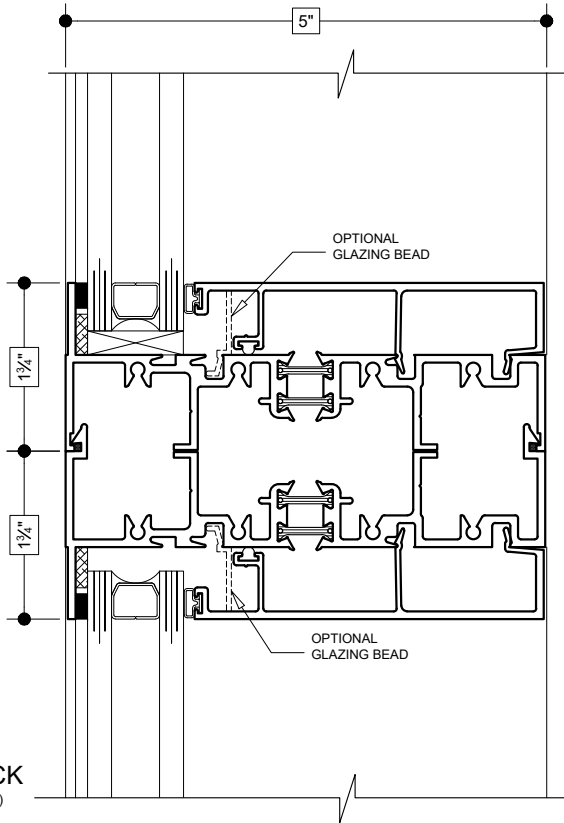
Details shown reflect the most commonly used configurations.  
 Contact AWM for additional details and/or assistance.

03/15/19

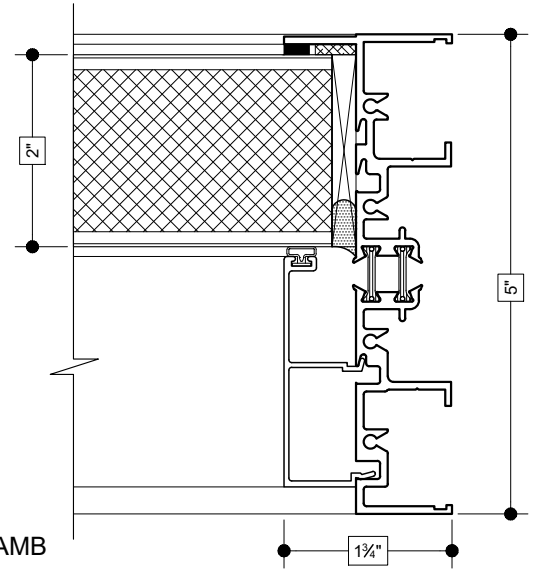


Details shown reflect the most commonly used configurations.  
 Contact AWM for additional details and/or assistance.

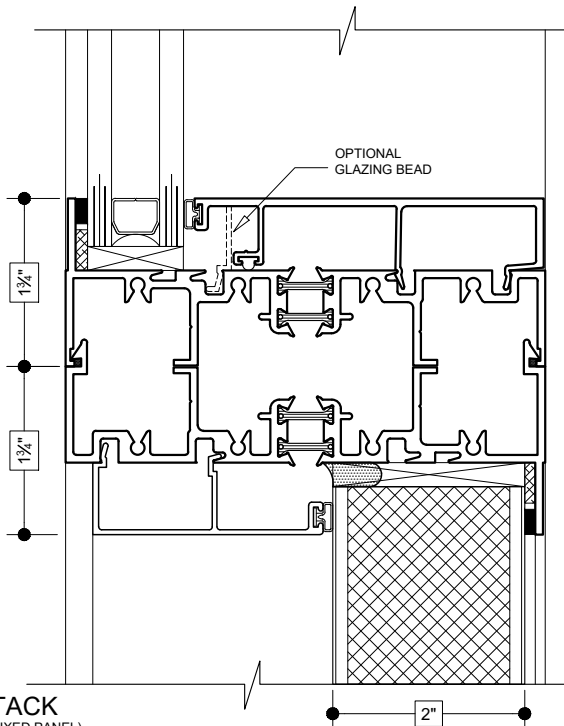
03/15/19



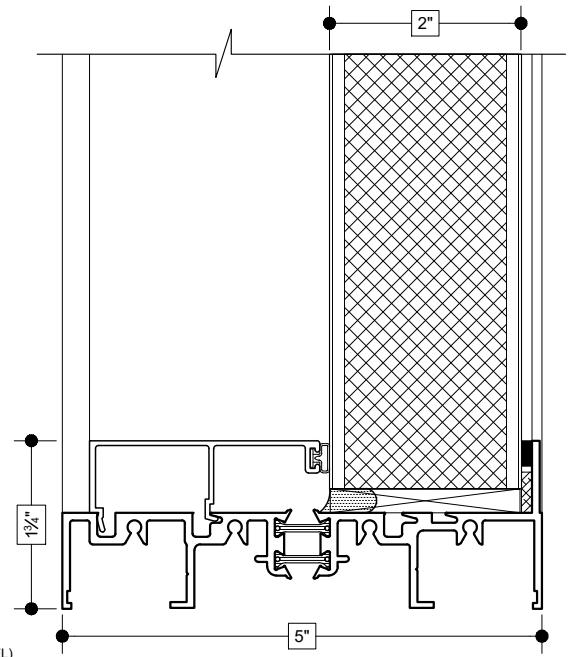
**16**  
**SELF-STACK**  
 (FIXED OVER FIXED)



**18**  
**RIGHT JAMB**  
 (FIXED PANEL)



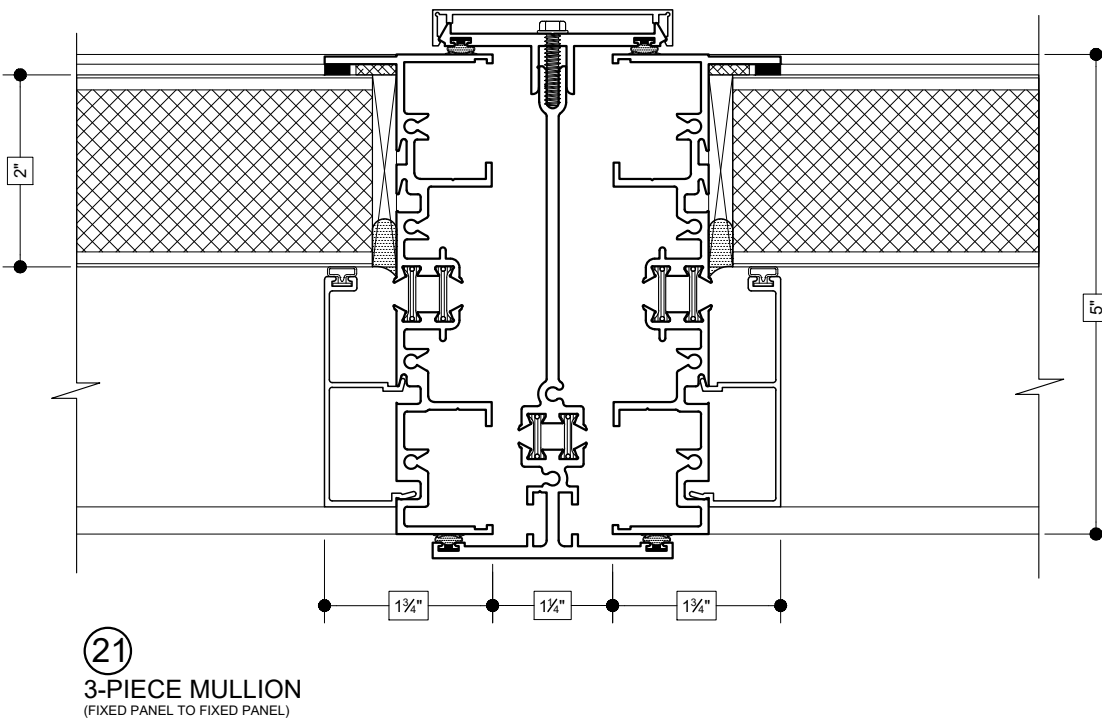
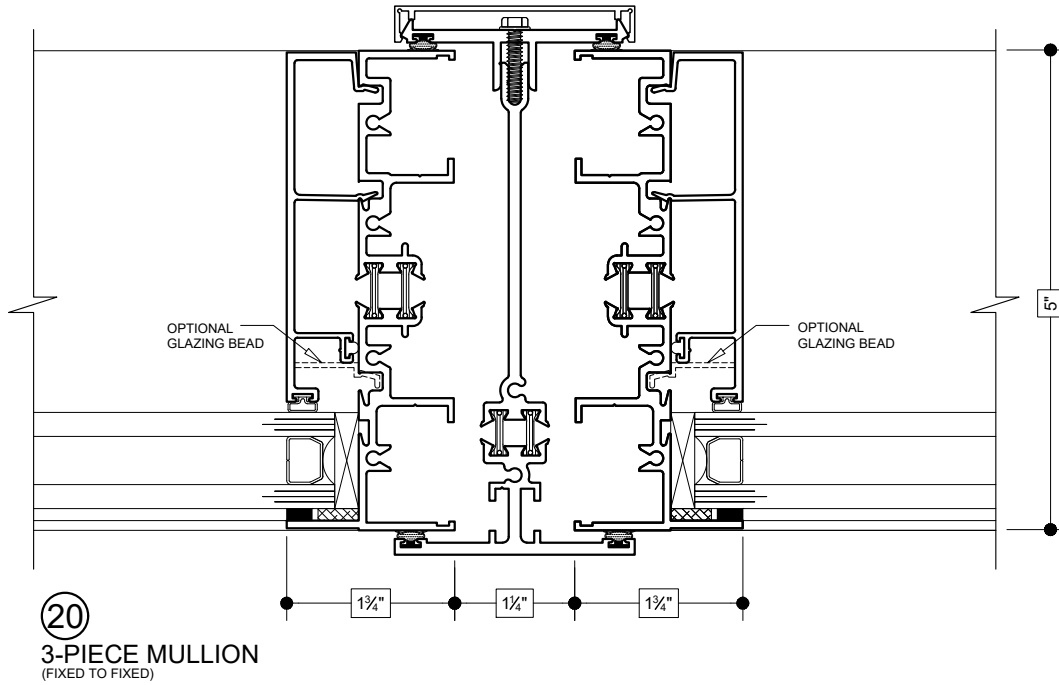
**17**  
**SELF-STACK**  
 (FIXED OVER FIXED PANEL)



**19**  
**SILL**  
 (FIXED PANEL)

Details shown reflect the most commonly used configurations.  
 Contact AWM for additional details and/or assistance.

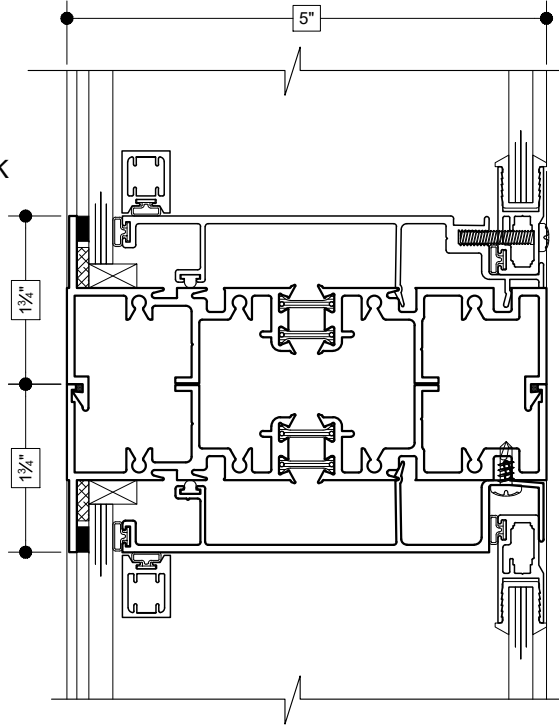
03/15/19



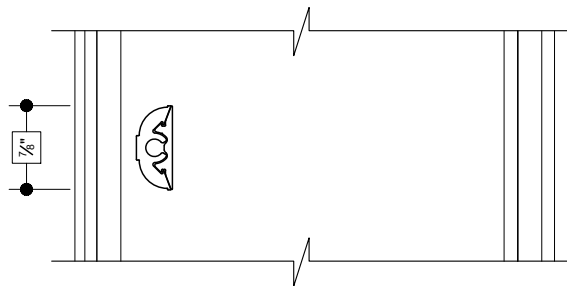
Details shown reflect the most commonly used configurations.  
 Contact AWM for additional details and/or assistance.

03/15/19

22  
**SELF-STACK**  
 (FIXED OVER FIXED)



23  
**APPLIED MUNTIN**  
 (COLONIAL)

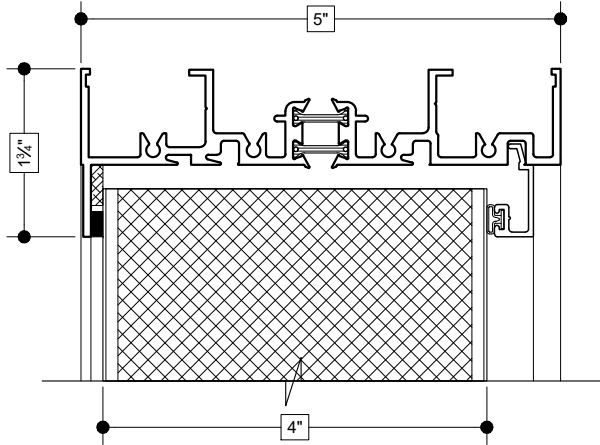




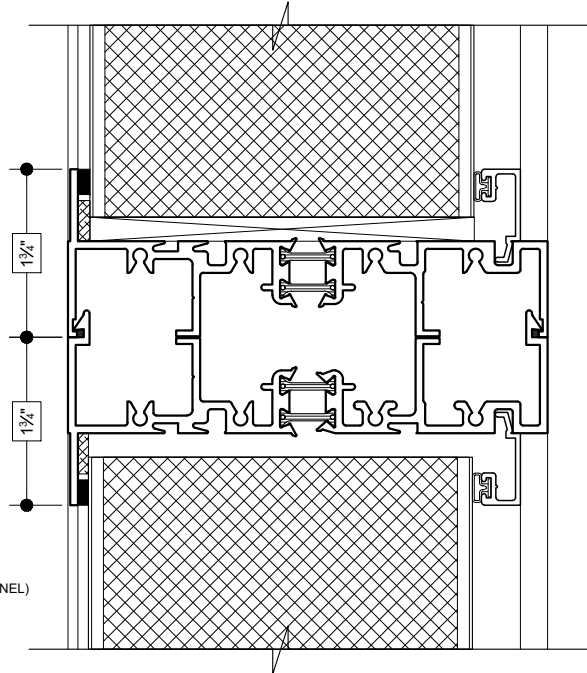
Details shown reflect the most commonly used configurations.  
 Contact AWM for additional details and/or assistance.

03/15/19

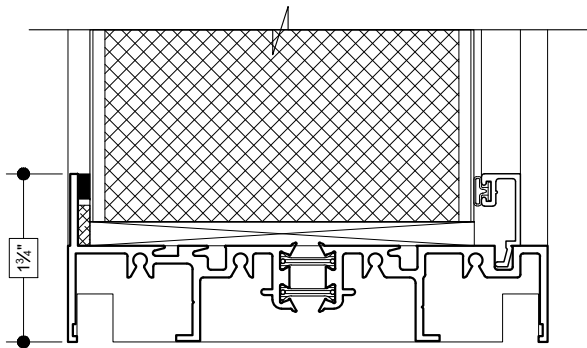
**24**  
**HEAD**  
 (FIXED PANEL)



**25**  
**SELF-STACK**  
 (FIXED PANEL OVER FIXED PANEL)



**26**  
**SILL**  
 (FIXED PANEL)



**27**  
**RIGHT JAMB**  
 (FIXED PANEL)

