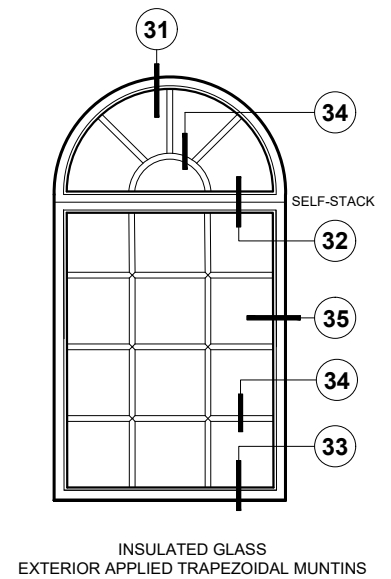
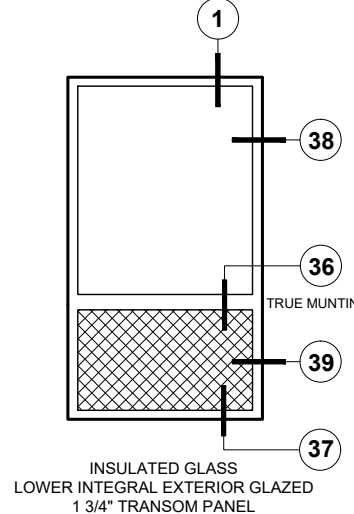
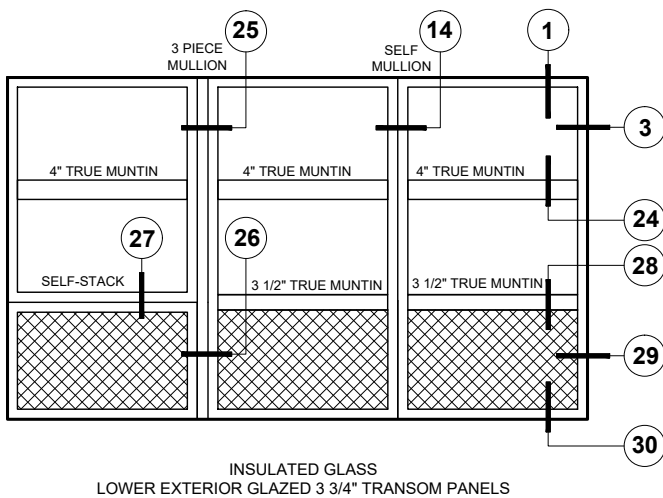
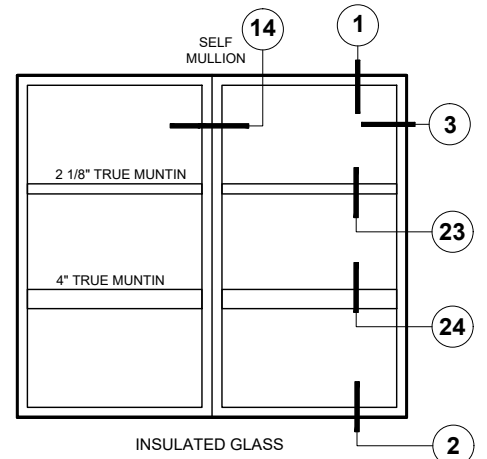
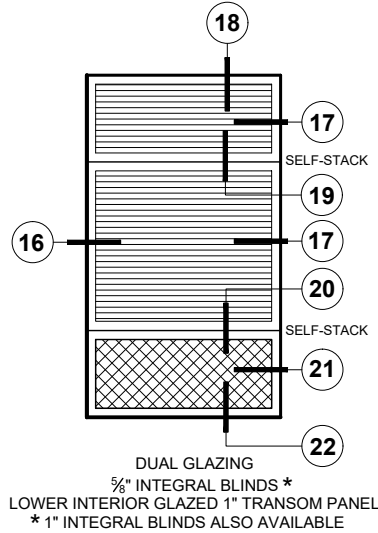
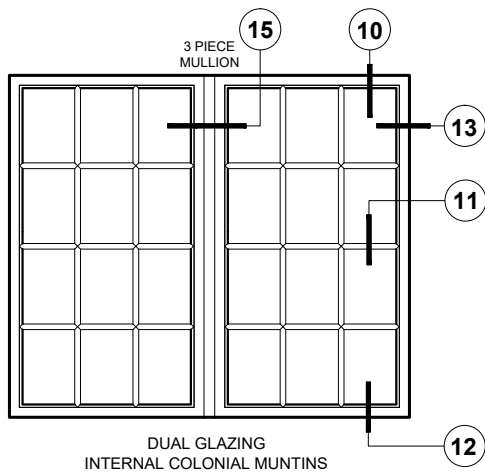
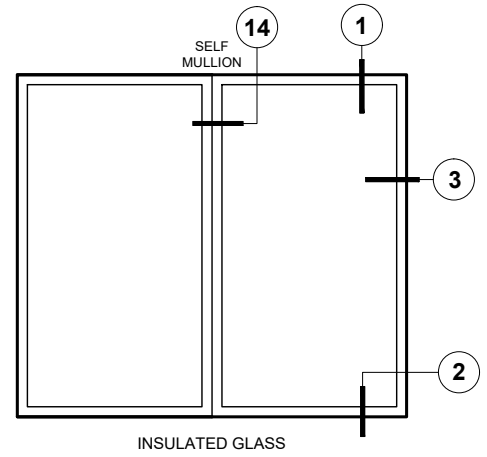
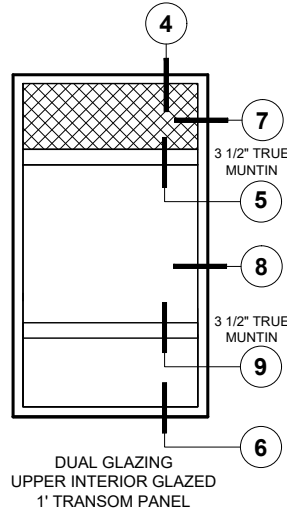
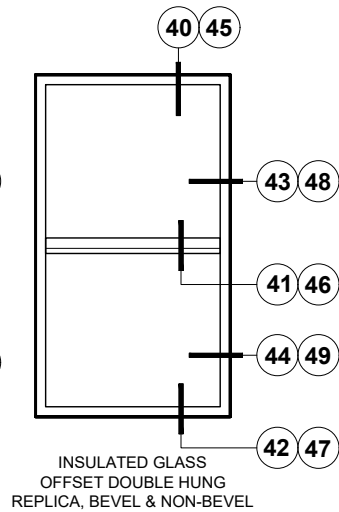
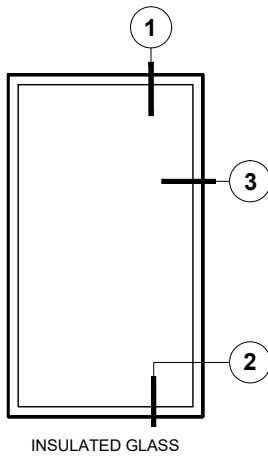


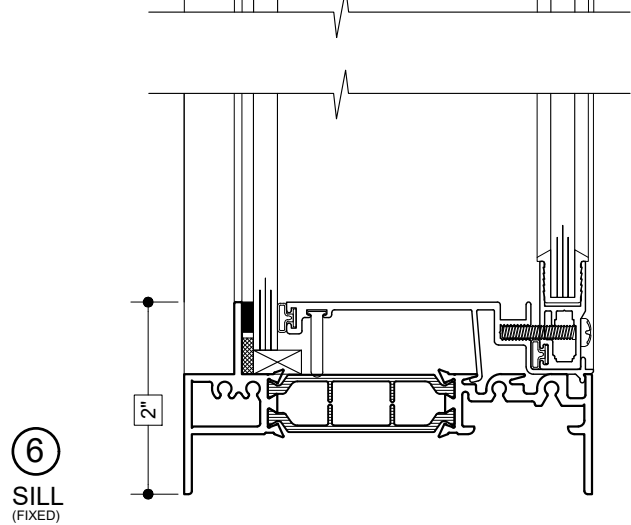
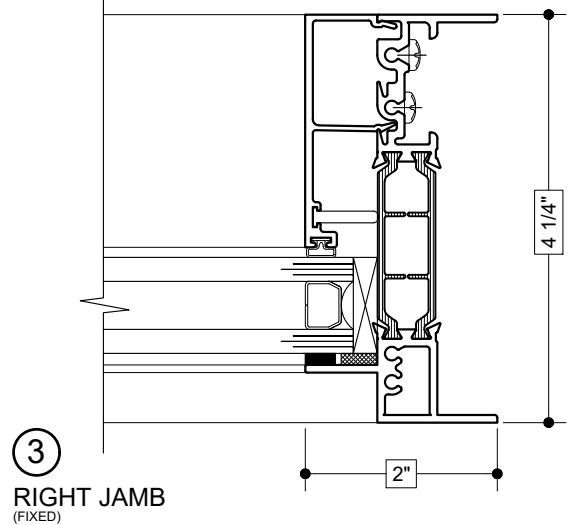
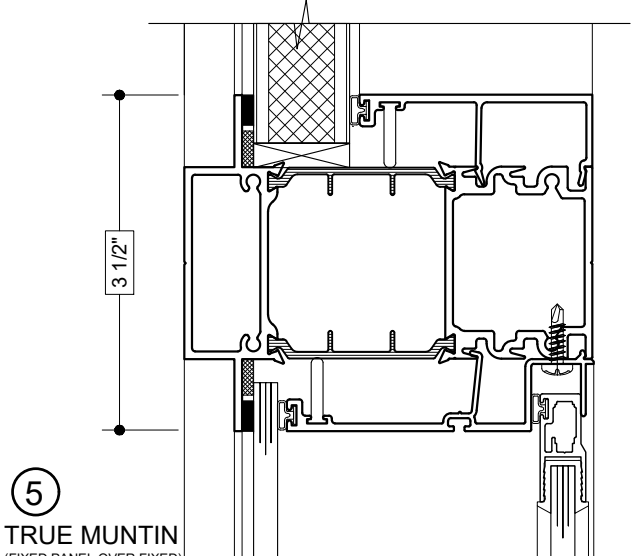
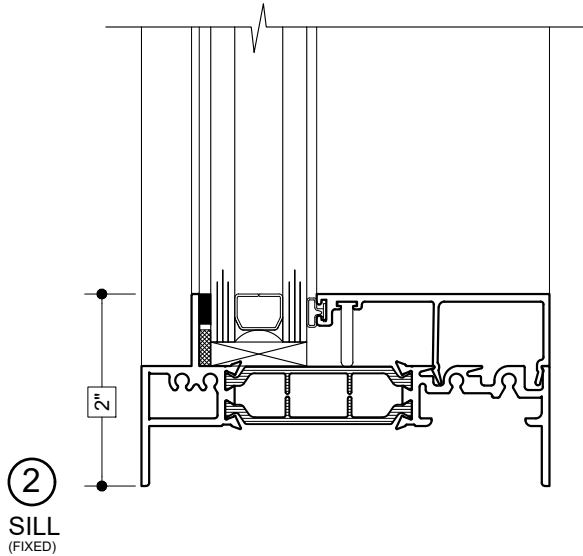
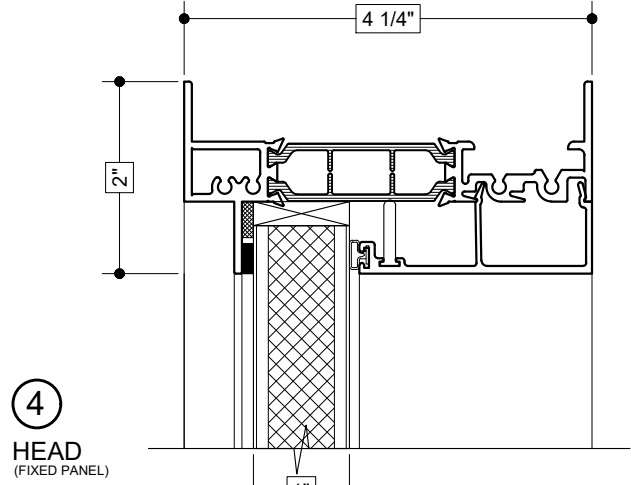
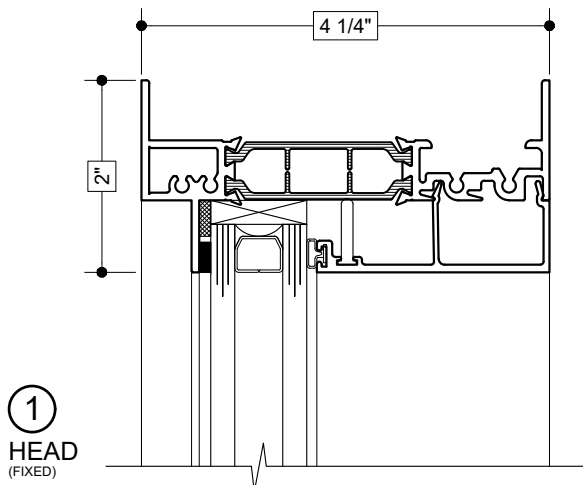
Details shown reflect the most commonly used configurations.  
Contact AWM for additional details and/or assistance.

07/08/24



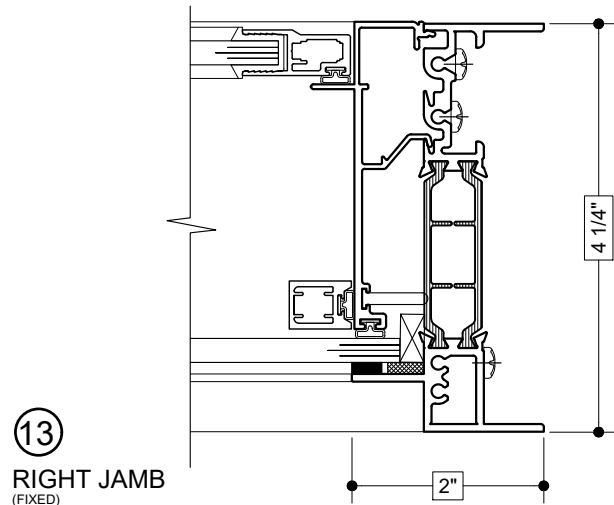
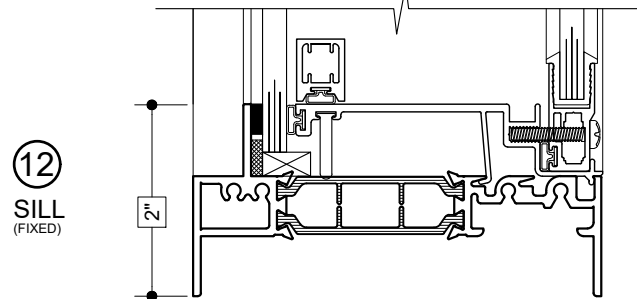
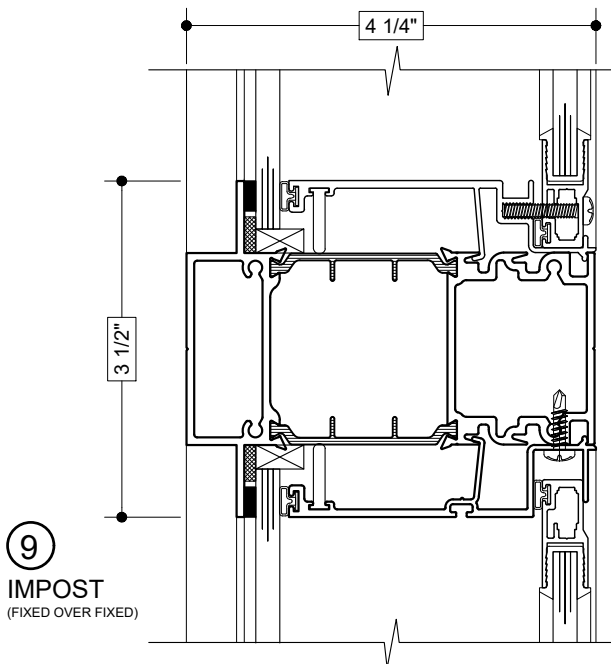
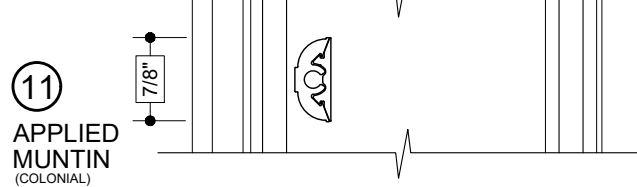
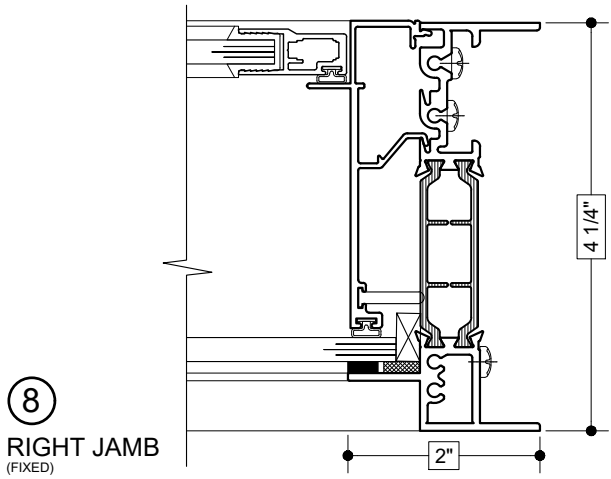
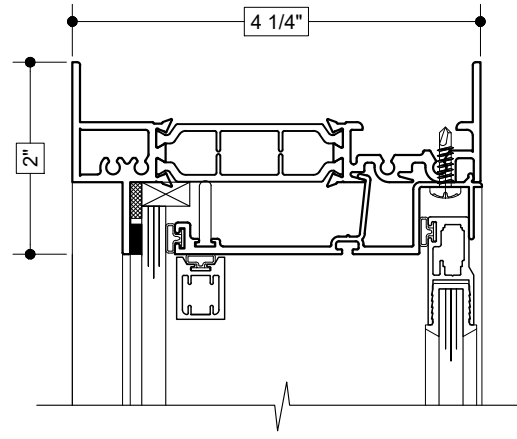
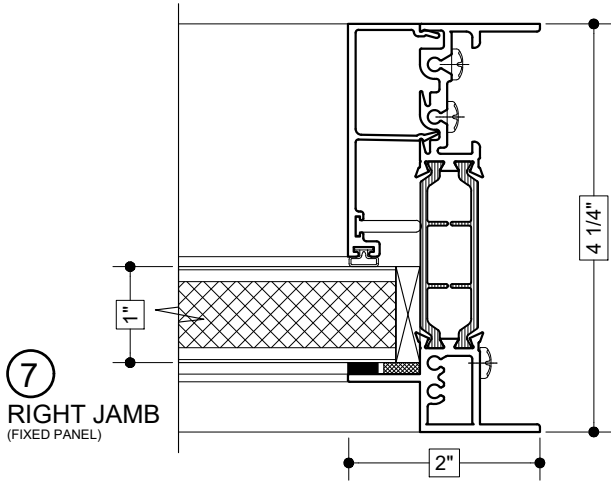
Details shown reflect the most commonly used configurations.  
 Contact AWM for additional details and/or assistance.

07/08/24



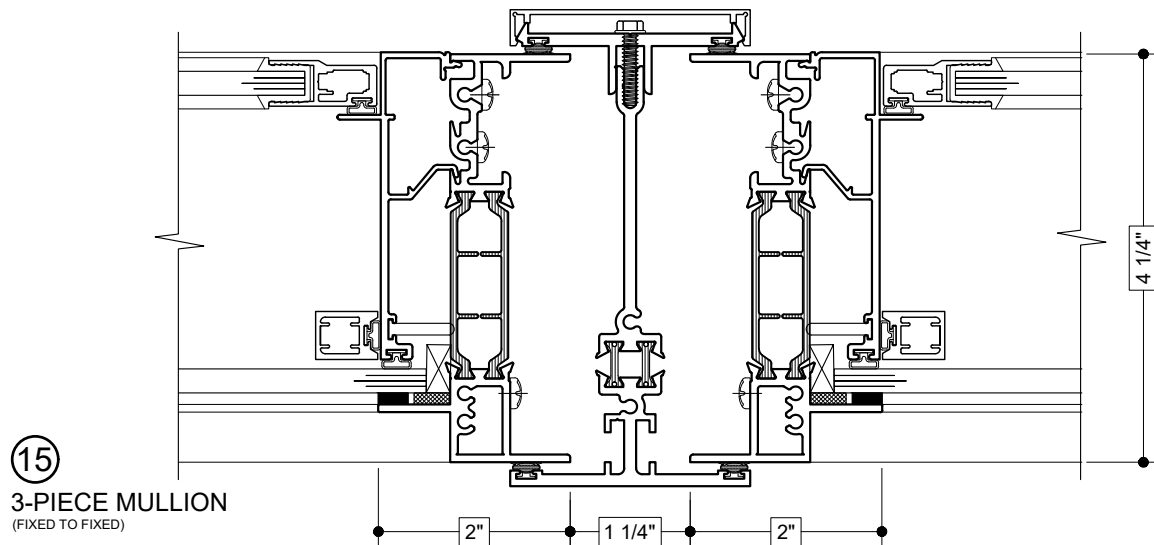
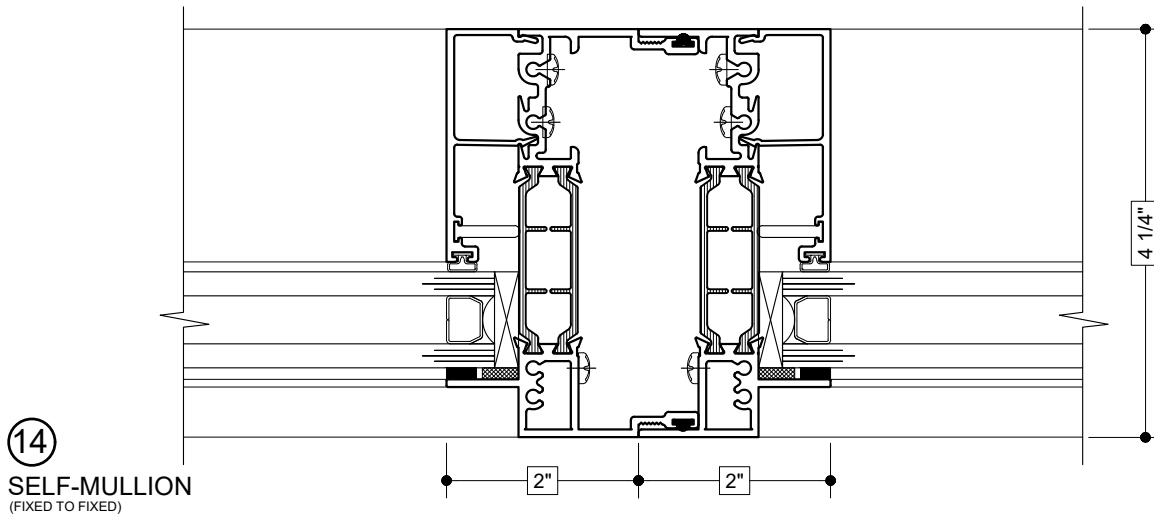
Details shown reflect the most commonly used configurations.  
 Contact AWM for additional details and/or assistance.

07/08/24



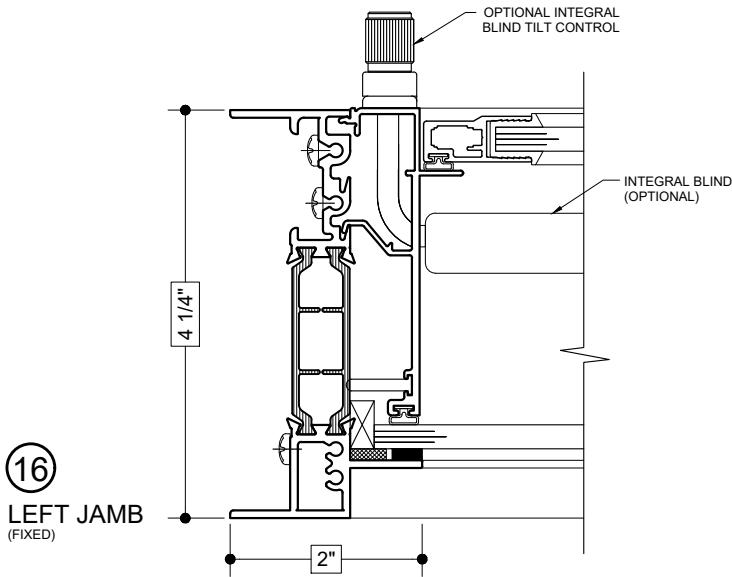
Details shown reflect the most commonly used configurations.  
 Contact AWM for additional details and/or assistance.

07/08/24

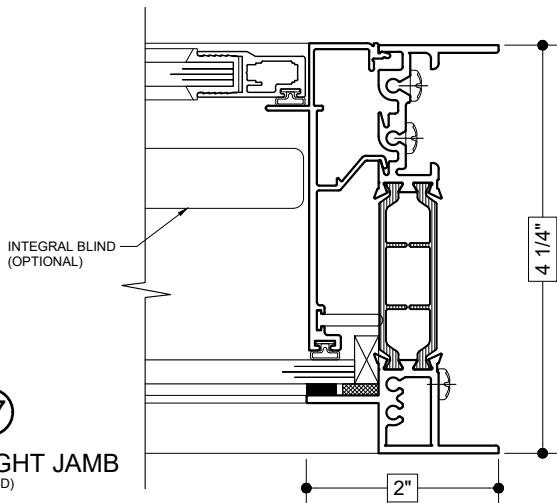


Details shown reflect the most commonly used configurations.  
Contact AWM for additional details and/or assistance.

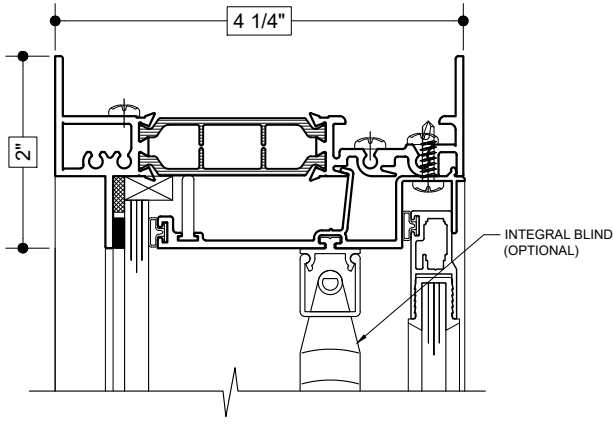
07/08/24



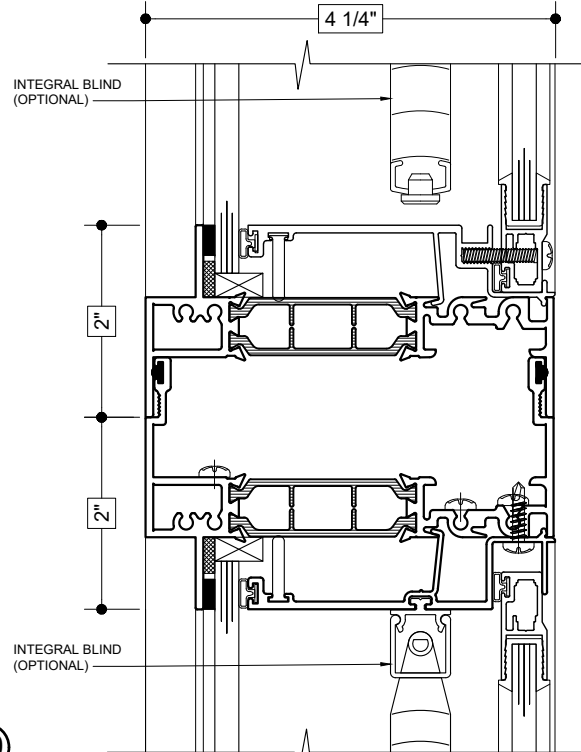
**16**  
**LEFT JAMB**  
(FIXED)



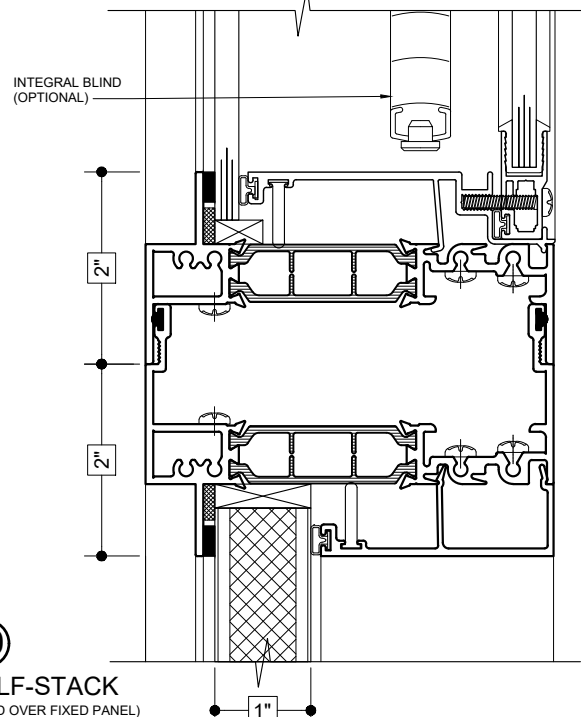
**17**  
**RIGHT JAMB**  
(FIXED)



**18**  
**HEAD**  
(FIXED)



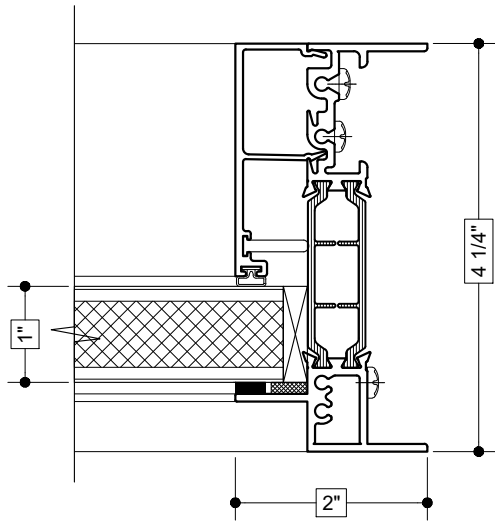
**19**  
**SELF-STACK**  
(FIXED OVER FIXED)



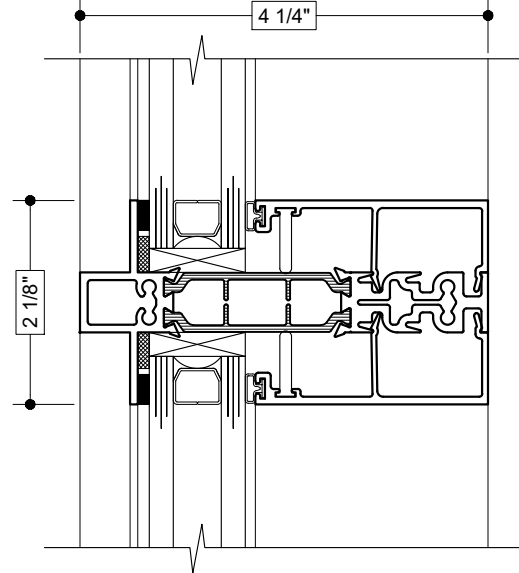
**20**  
**SELF-STACK**  
(FIXED OVER FIXED PANEL)

Details shown reflect the most commonly used configurations.  
 Contact AWM for additional details and/or assistance.

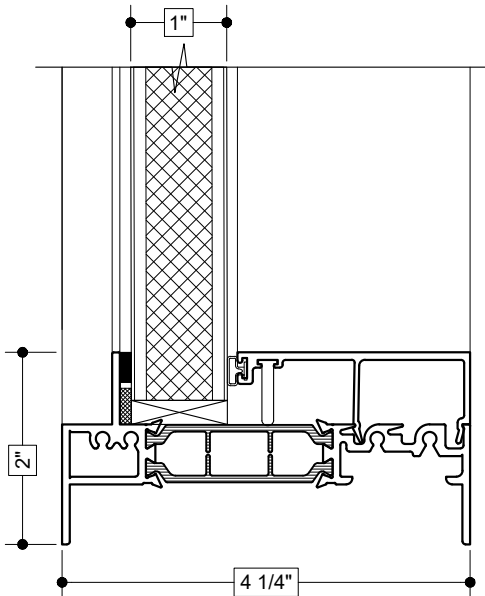
07/08/24



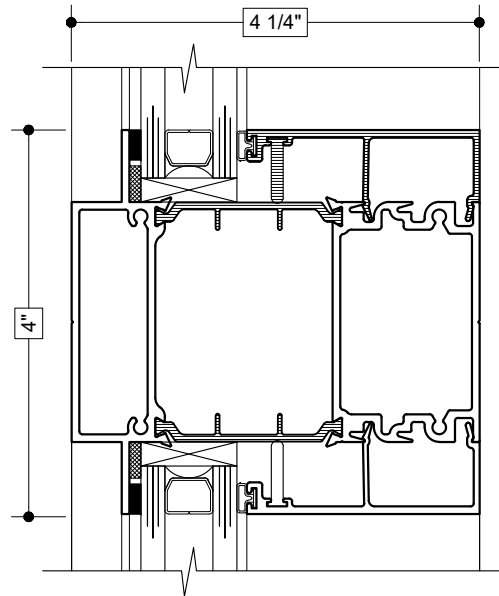
**21**  
**RIGHT JAMB**  
 (FIXED PANEL)



**23**  
**TRUE MUNTIN**  
 (FIXED OVER FIXED - BEVEL FRAME)



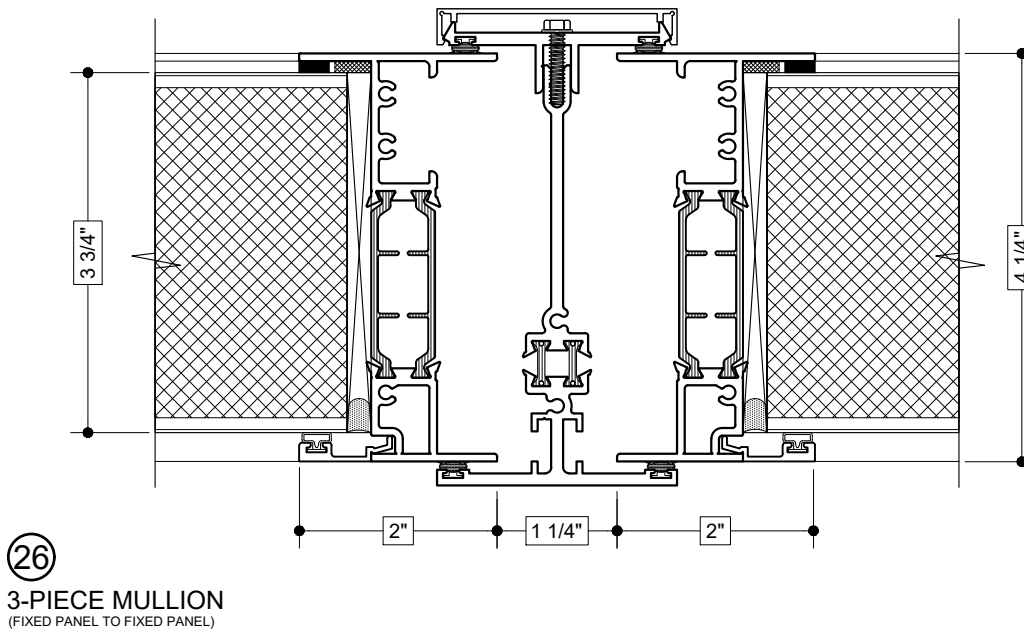
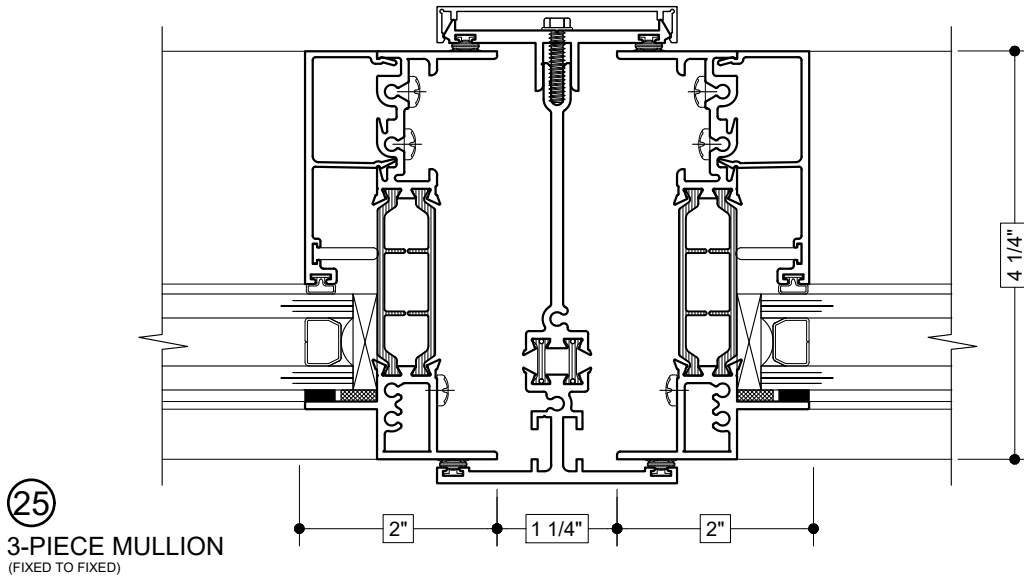
**22**  
**SILL**  
 (FIXED PANEL)



**24**  
**TRUE MUNTIN**  
 (FIXED OVER FIXED)

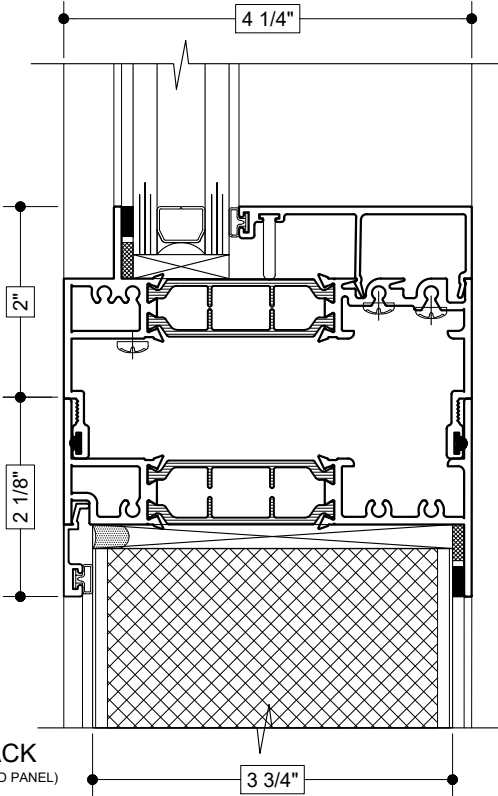
Details shown reflect the most commonly used configurations.  
Contact AWM for additional details and/or assistance.

07/08/24

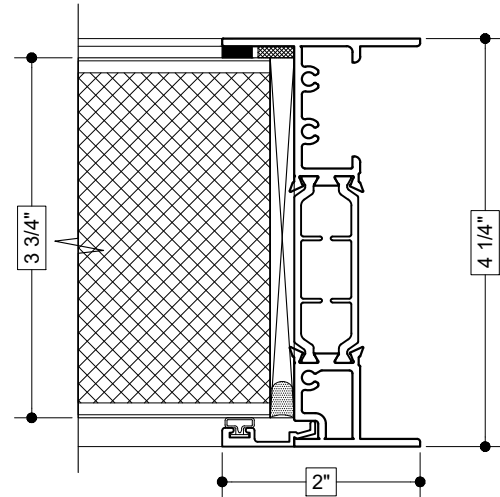


Details shown reflect the most commonly used configurations.  
 Contact AWM for additional details and/or assistance.

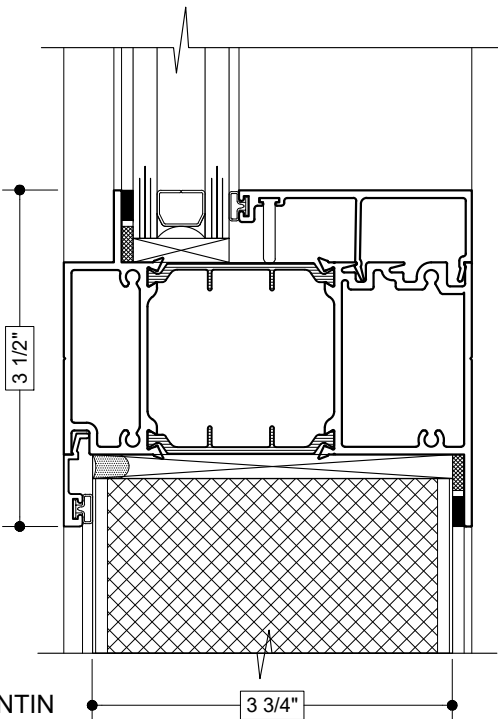
07/08/24



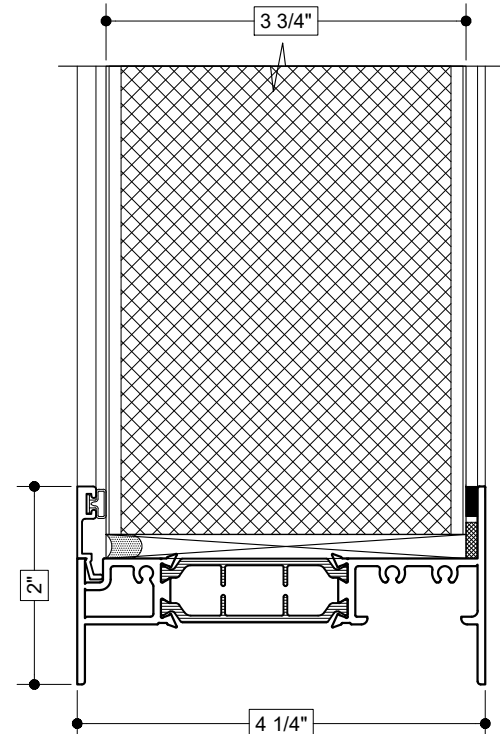
**27**  
**SELF-STACK**  
 (FIXED OVER FIXED PANEL)



**29**  
**RIGHT JAMB**  
 (FIXED PANEL)



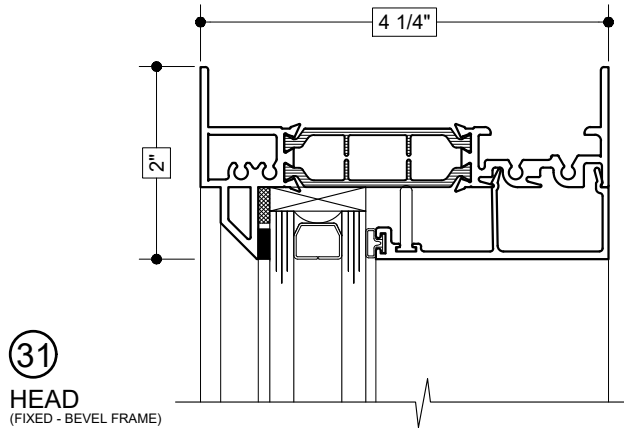
**28**  
**TRUE MUNTIN**  
 (FIXED OVER FIXED PANEL)



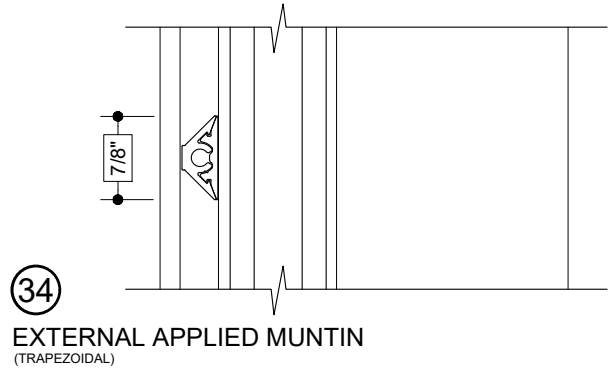
**30**  
**SILL**  
 (FIXED PANEL)

Details shown reflect the most commonly used configurations.  
 Contact AWM for additional details and/or assistance.

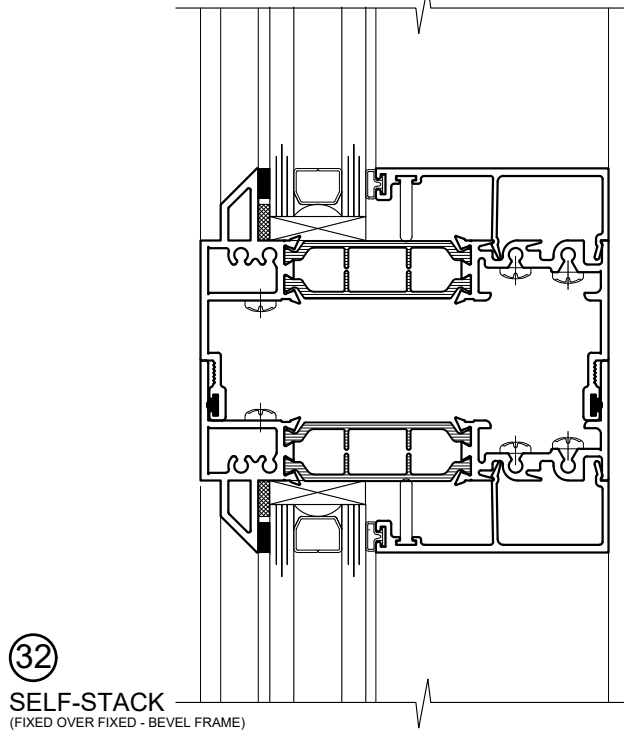
07/08/24



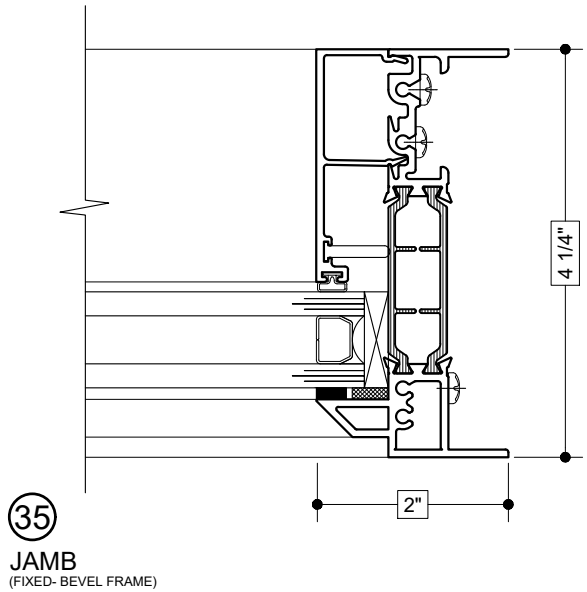
**31**  
**HEAD**  
 (FIXED - BEVEL FRAME)



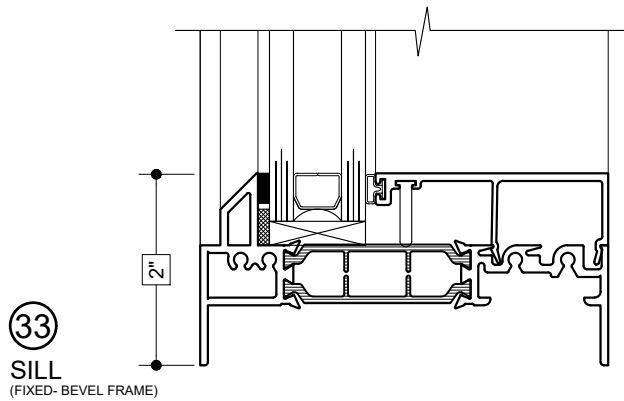
**34**  
**EXTERNAL APPLIED MUNTIN**  
 (TRAPEZOIDAL)



**32**  
**SELF-STACK**  
 (FIXED OVER FIXED - BEVEL FRAME)



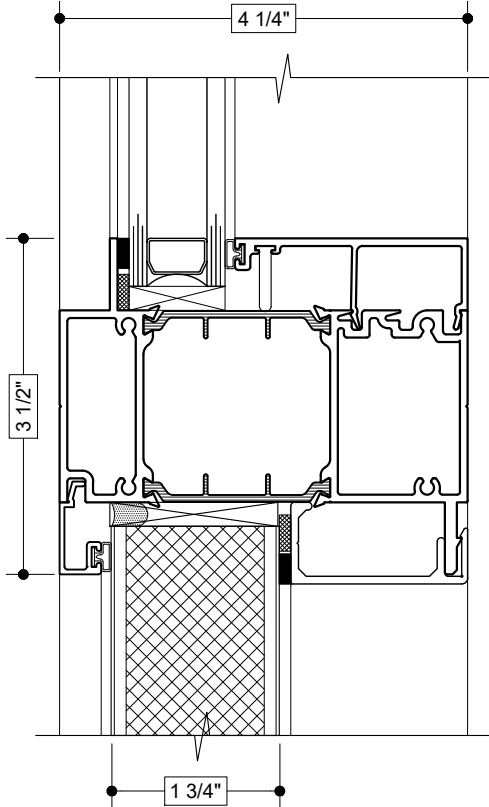
**35**  
**JAMB**  
 (FIXED - BEVEL FRAME)



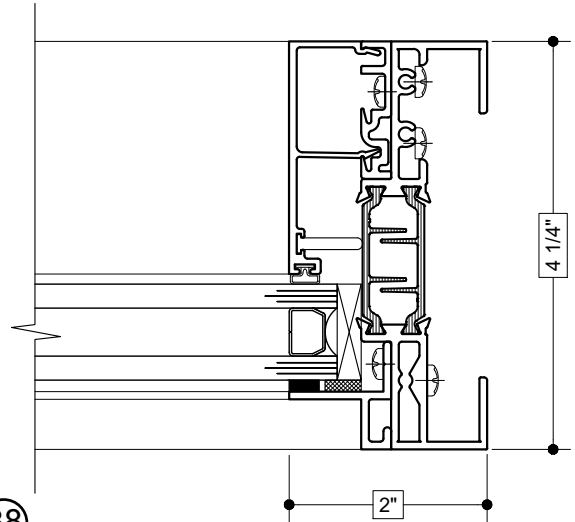
**33**  
**SILL**  
 (FIXED - BEVEL FRAME)

Details shown reflect the most commonly used configurations.  
 Contact AWM for additional details and/or assistance.

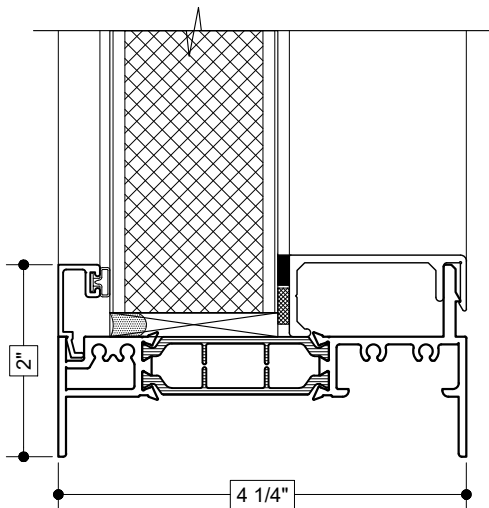
07/08/24



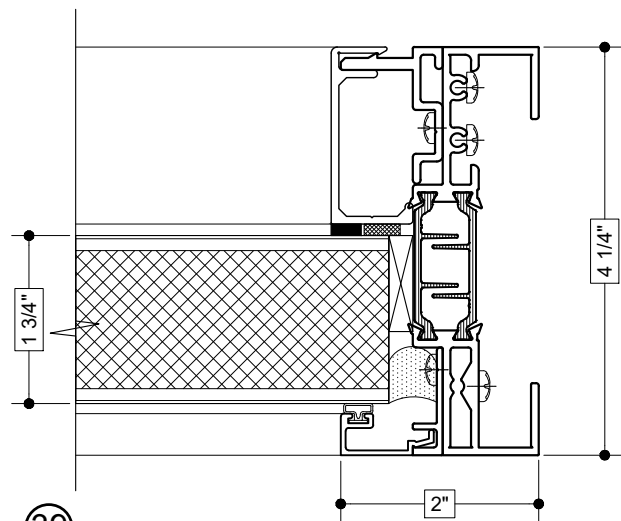
**36**  
**TRUE MUNTIN**  
 (FIXED OVER FIXED PANEL)



**38**  
**JAMB**  
 (FIXED - UNIVERSAL)



**37**  
**SELF-STACK**  
 (FIXED OVER FIXED PANEL)

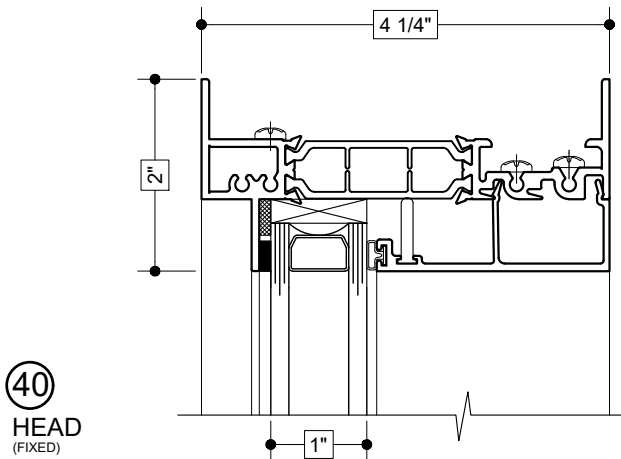


**39**  
**JAMB**  
 (FIXED PANEL - UNIVERSAL)

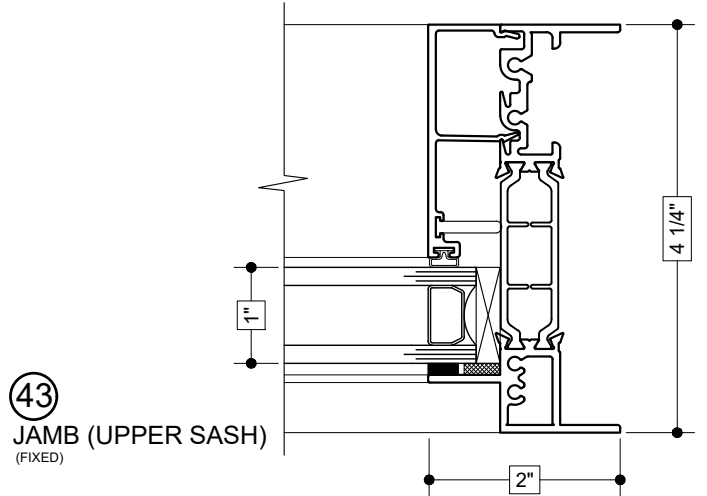
Details shown reflect the most commonly used configurations.  
 Contact AWM for additional details and/or assistance.

07/08/24

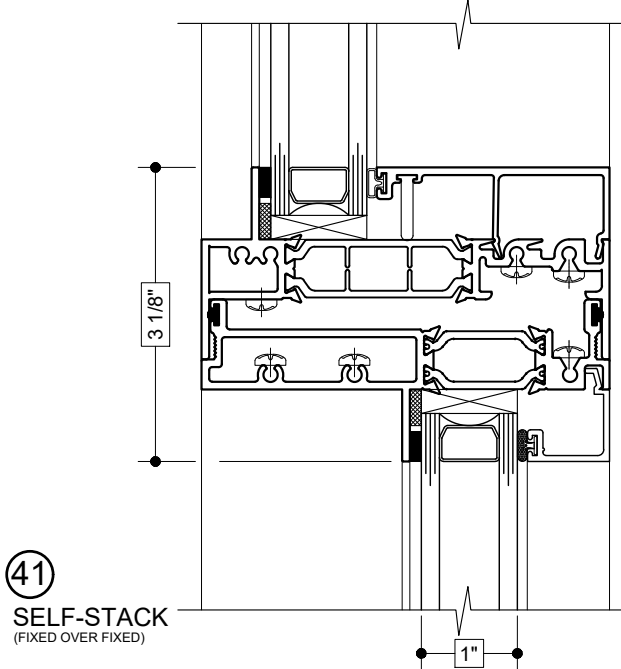
**OPTIONAL 1" GLASS OFFSET**



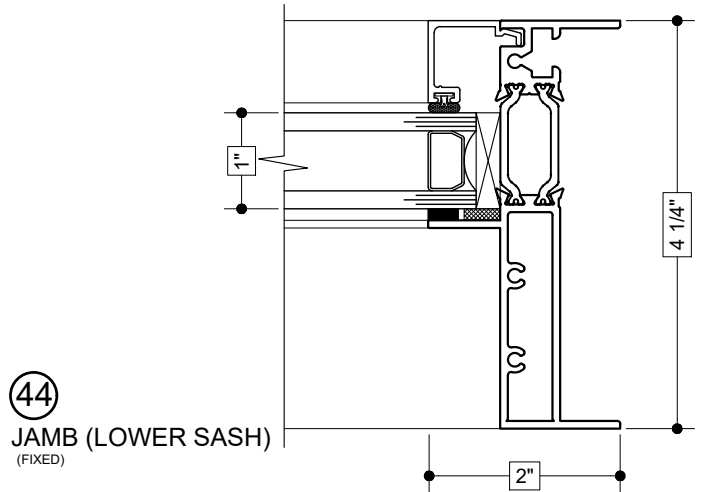
**40**  
**HEAD**  
 (FIXED)



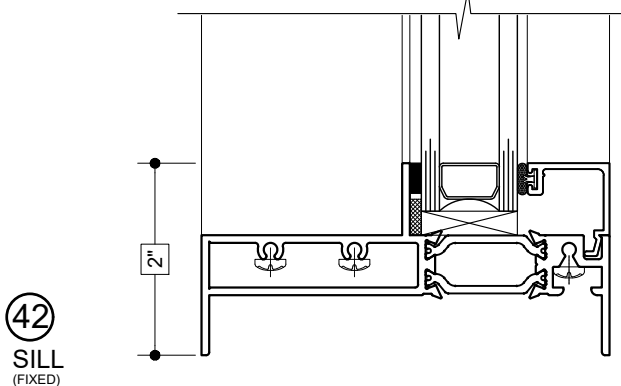
**43**  
**JAMB (UPPER SASH)**  
 (FIXED)



**41**  
**SELF-STACK**  
 (FIXED OVER FIXED)



**44**  
**JAMB (LOWER SASH)**  
 (FIXED)

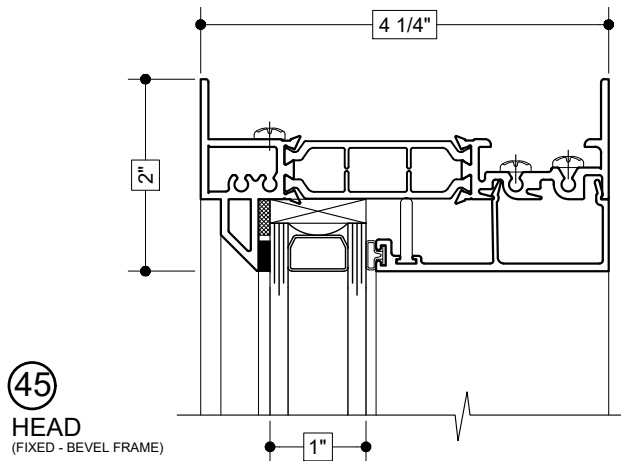


**42**  
**SILL**  
 (FIXED)

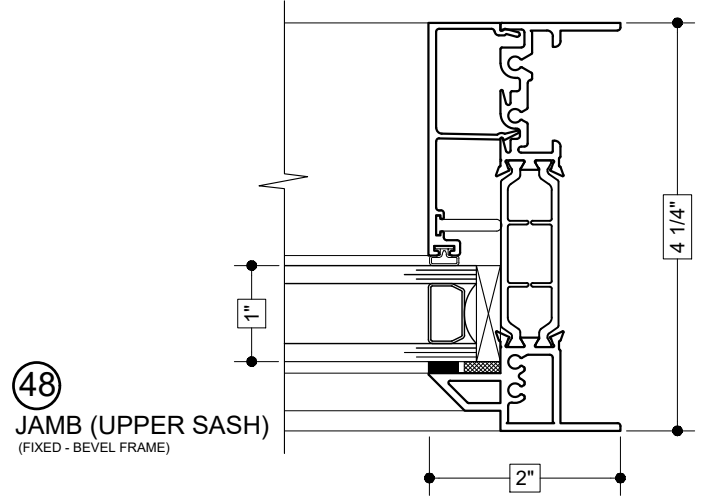
Details shown reflect the most commonly used configurations.  
Contact AWM for additional details and/or assistance.

07/08/24

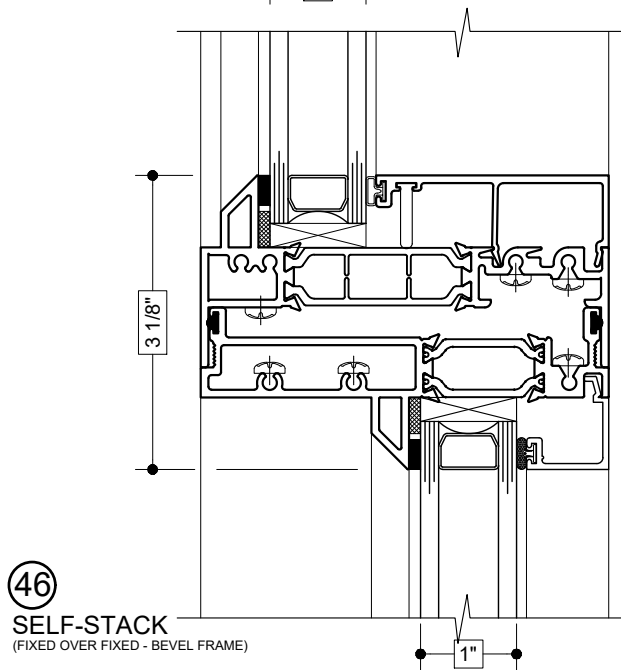
**OPTIONAL 1" GLASS OFFSET (BEVEL FRAME)**



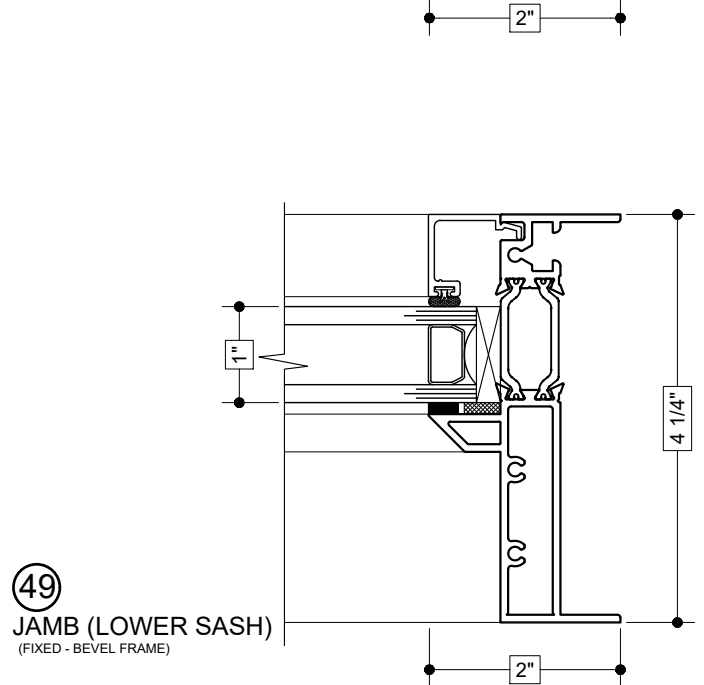
**45**  
**HEAD**  
(FIXED - BEVEL FRAME)



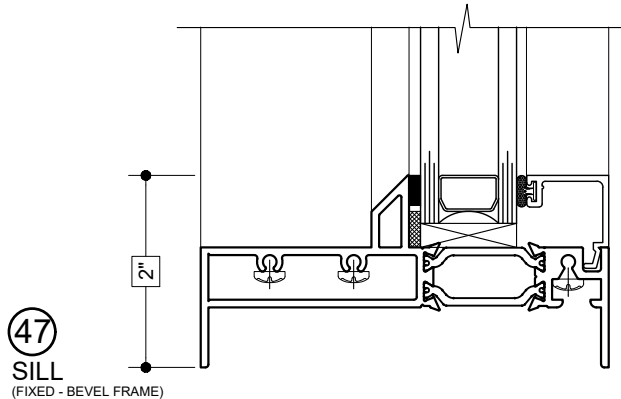
**48**  
**JAMB (UPPER SASH)**  
(FIXED - BEVEL FRAME)



**46**  
**SELF-STACK**  
(FIXED OVER FIXED - BEVEL FRAME)



**49**  
**JAMB (LOWER SASH)**  
(FIXED - BEVEL FRAME)



**47**  
**SILL**  
(FIXED - BEVEL FRAME)