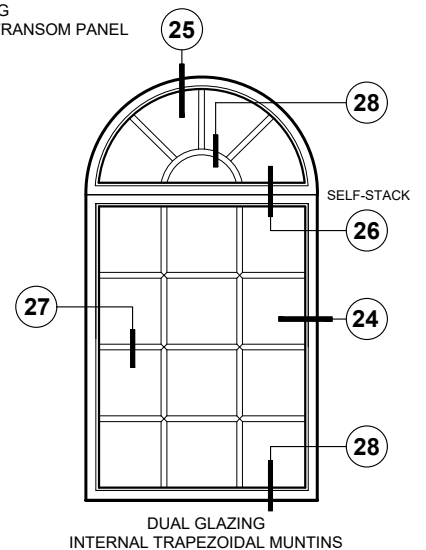
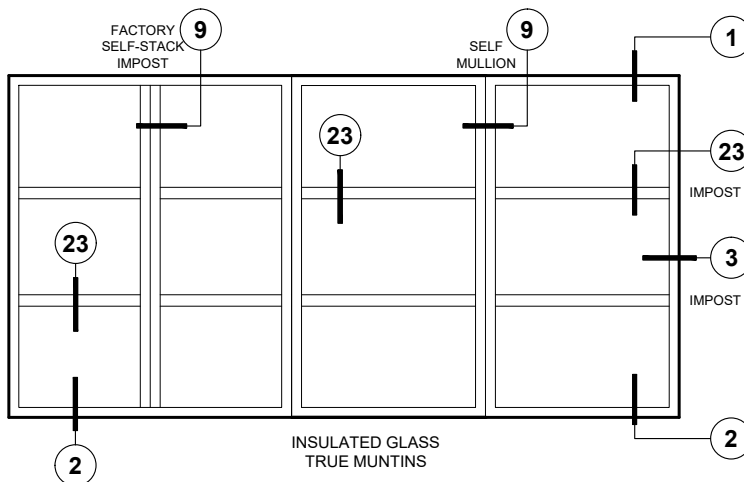
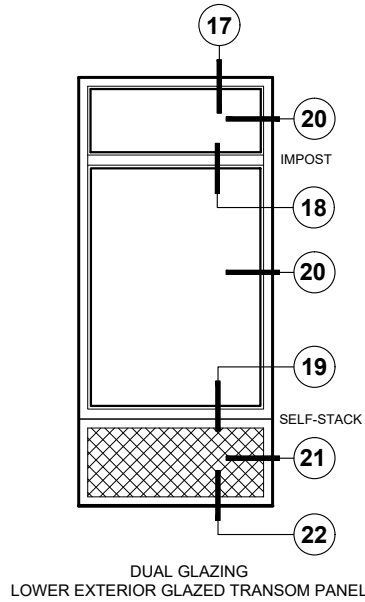
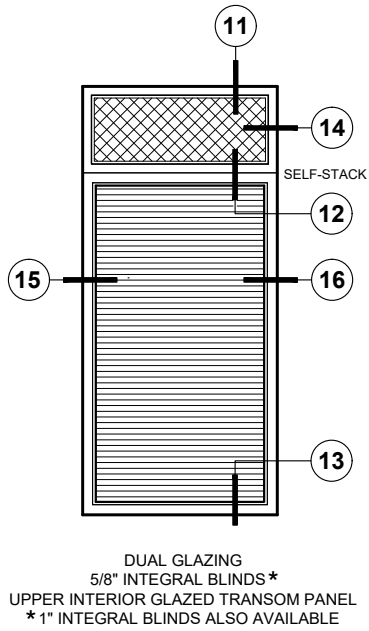
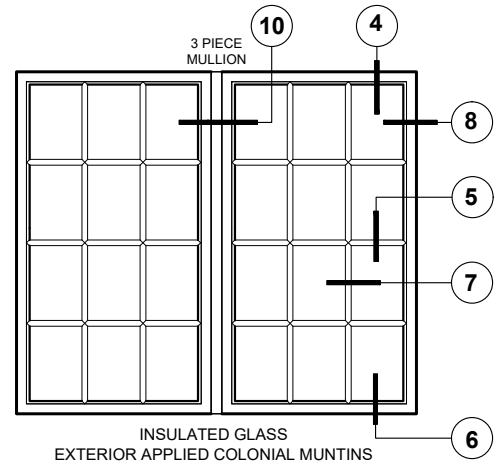
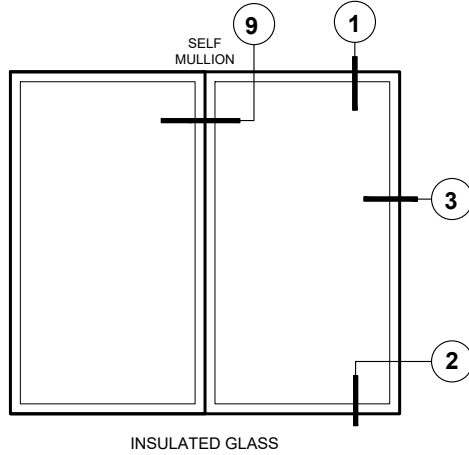
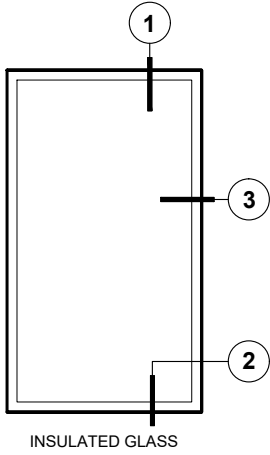


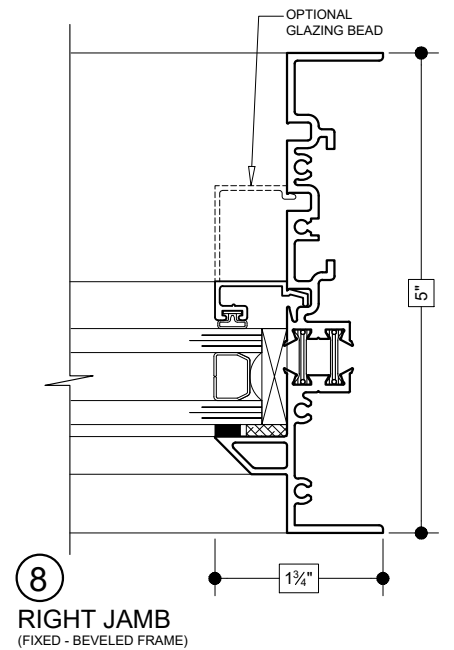
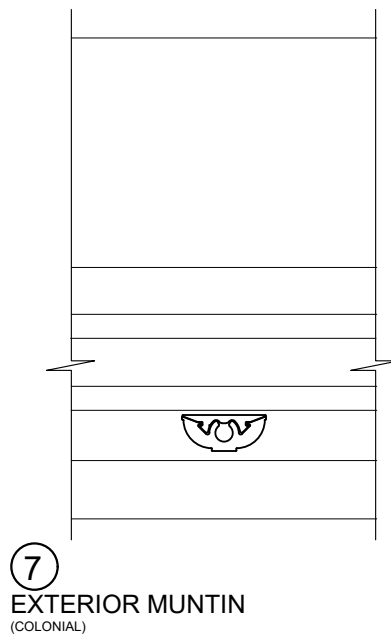
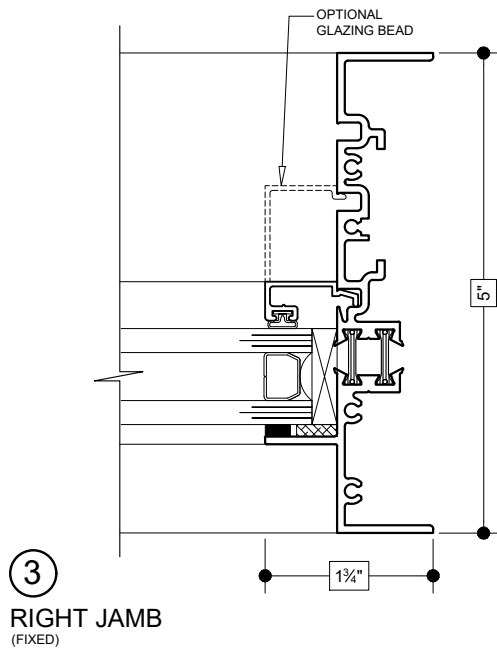
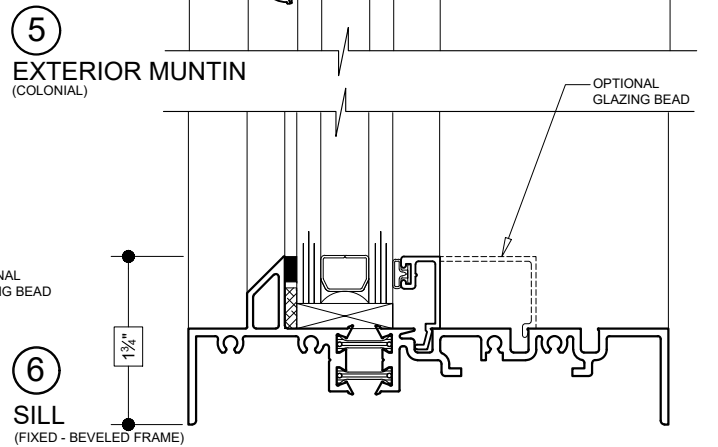
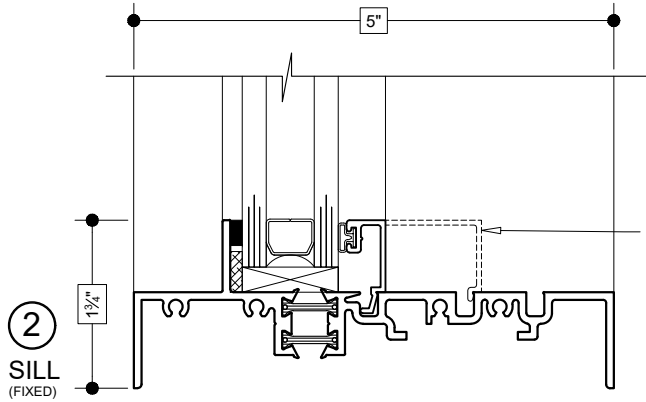
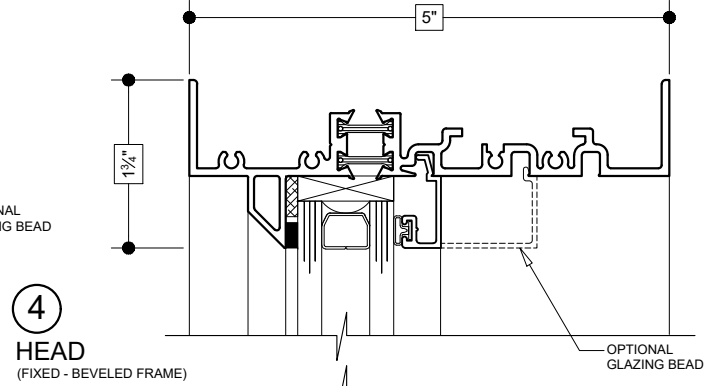
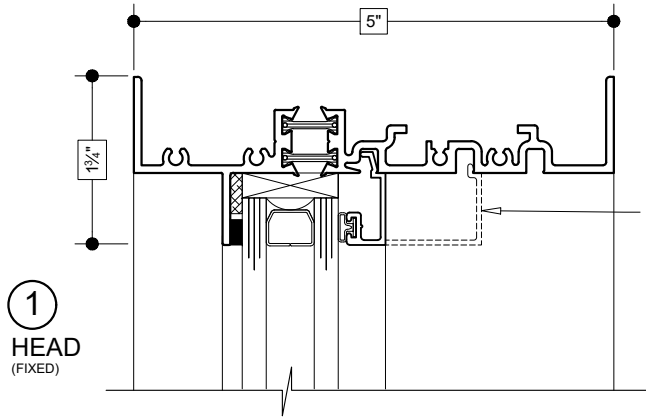
Details shown reflect the most commonly used configurations.
Contact AWM for additional details and/or assistance.

02/26/19



Details shown reflect the most commonly used configurations.
Contact AWM for additional details and/or assistance.

02/26/19



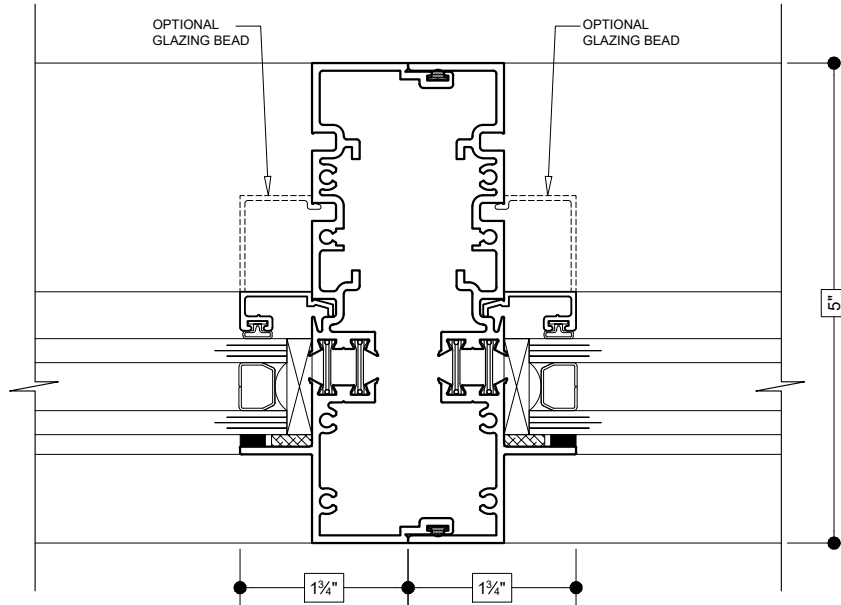
HALF SCALE DETAILS

PAGE 2 OF 6

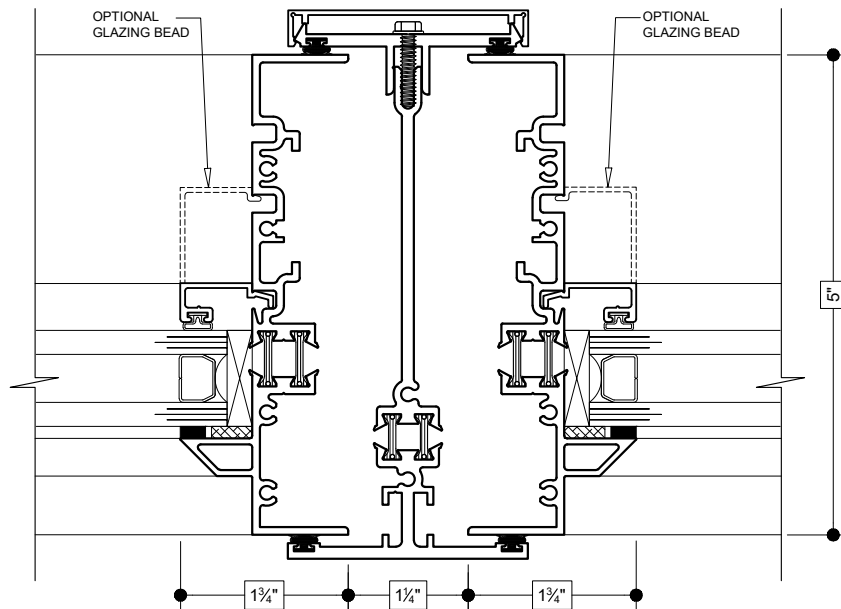
Details shown reflect the most commonly used configurations.
 Contact AWM for additional details and/or assistance.

02/26/19

9
SELF-MULLION
 (FIXED TO FIXED)



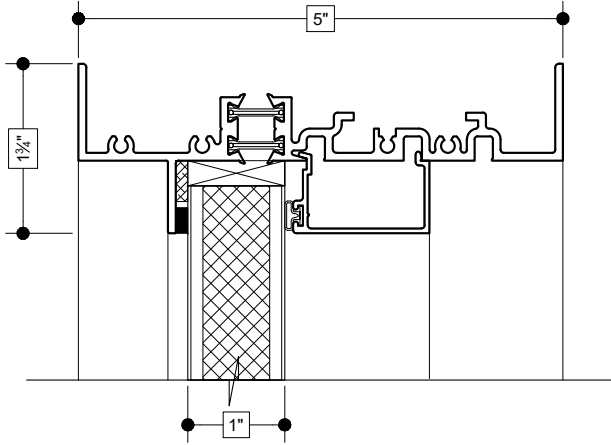
10
3-PIECE MULLION
 (FIXED TO FIXED - BEVELED FRAME)



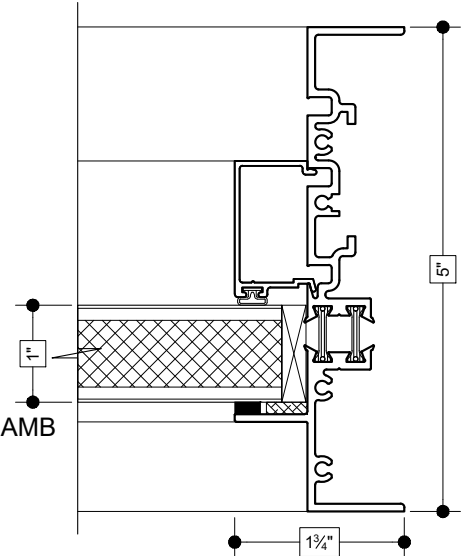
Details shown reflect the most commonly used configurations.
 Contact AWM for additional details and/or assistance.

02/26/19

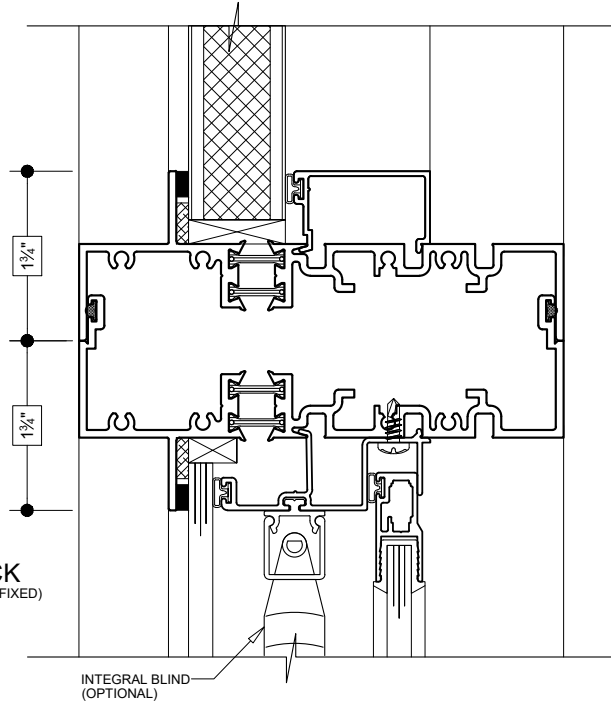
11
HEAD
 (FIXED PANEL)



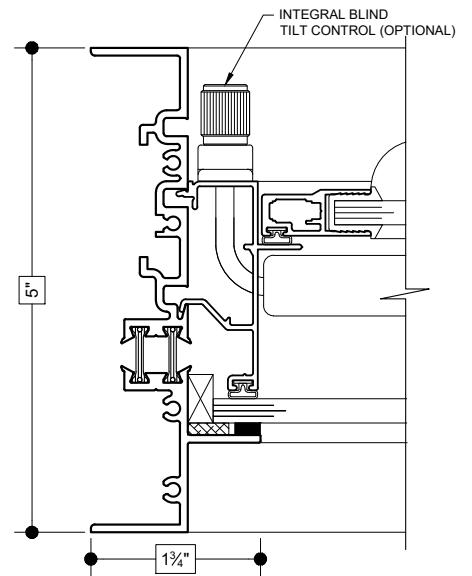
14
RIGHT JAMB
 (FIXED PANEL)



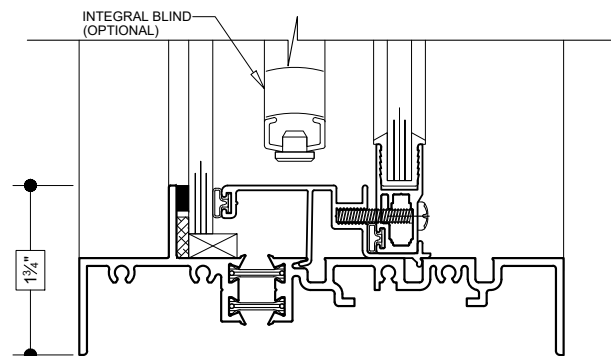
12
SELF-STACK
 (FIXED PANEL OVER FIXED)



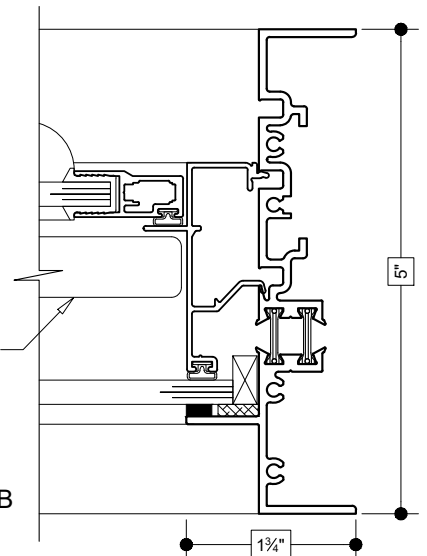
15
LEFT JAMB
 (FIXED)



13
SILL
 (FIXED)

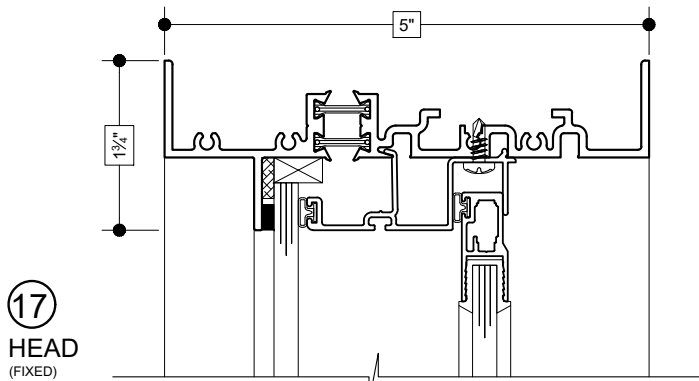


16
RIGHT JAMB
 (FIXED)

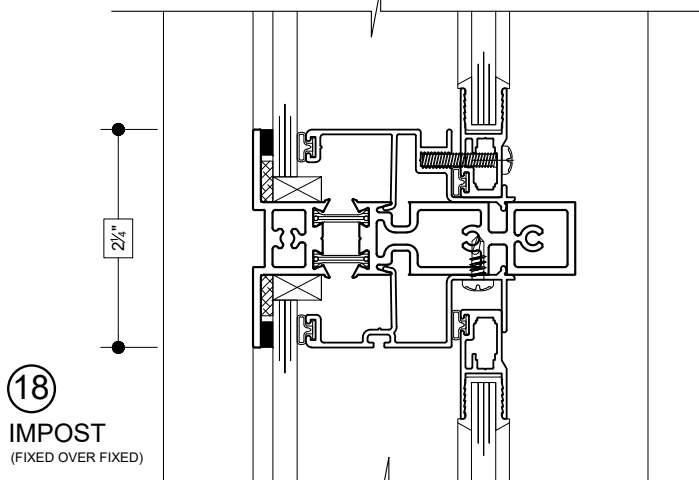


Details shown reflect the most commonly used configurations.
 Contact AWM for additional details and/or assistance.

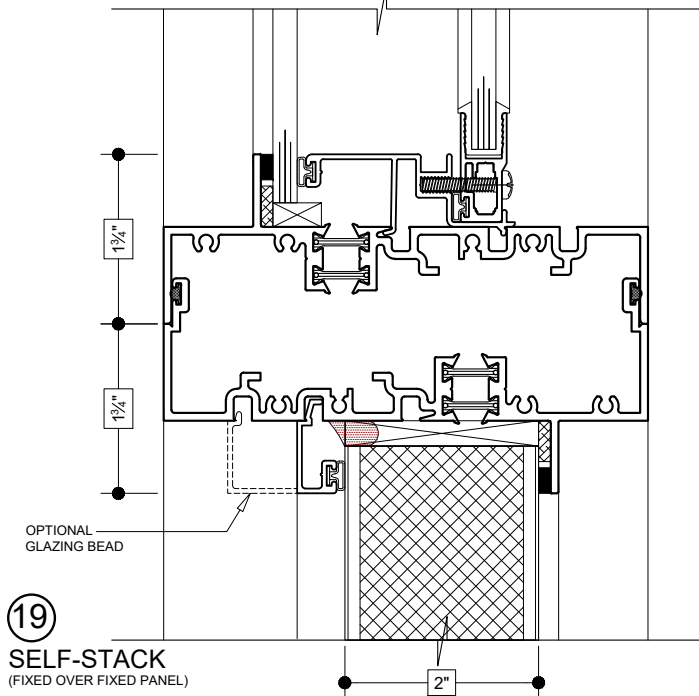
02/26/19



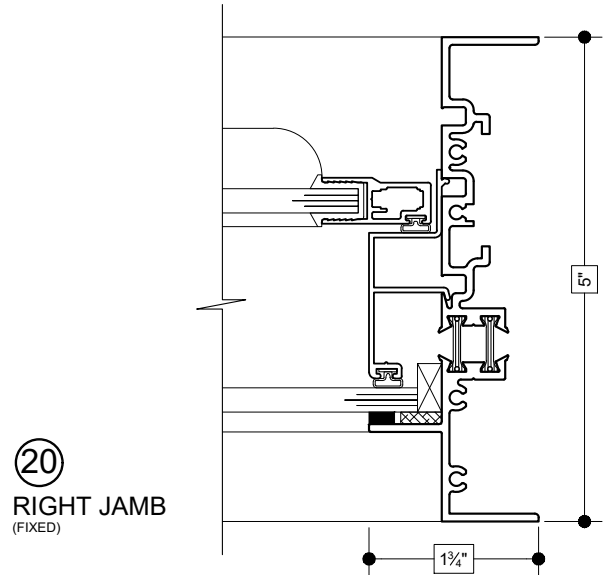
17
HEAD
 (FIXED)



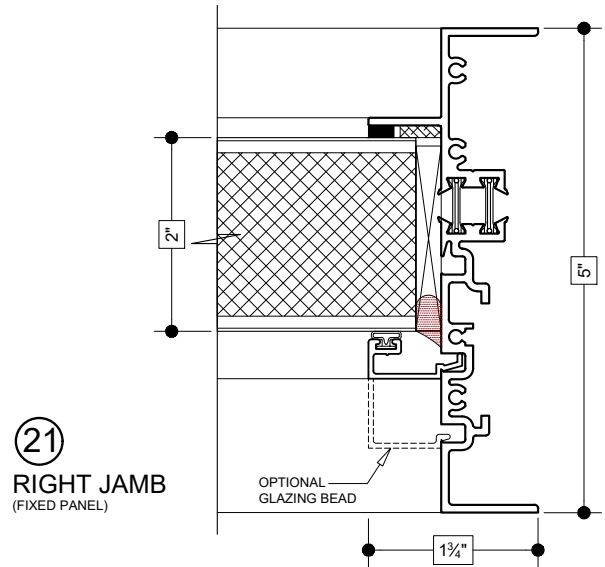
18
IMPOST
 (FIXED OVER FIXED)



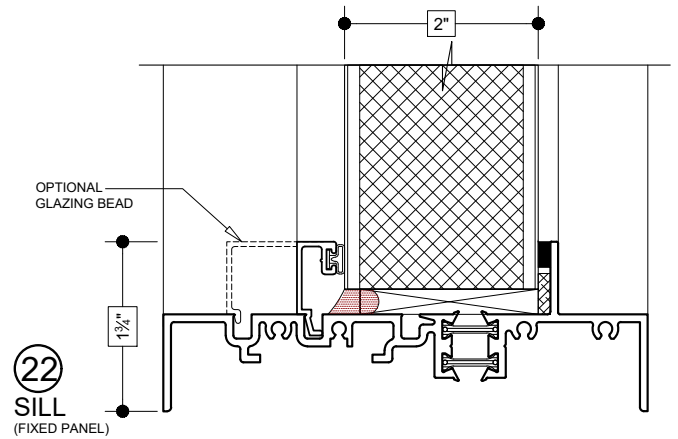
19
SELF-STACK
 (FIXED OVER FIXED PANEL)



20
RIGHT JAMB
 (FIXED)



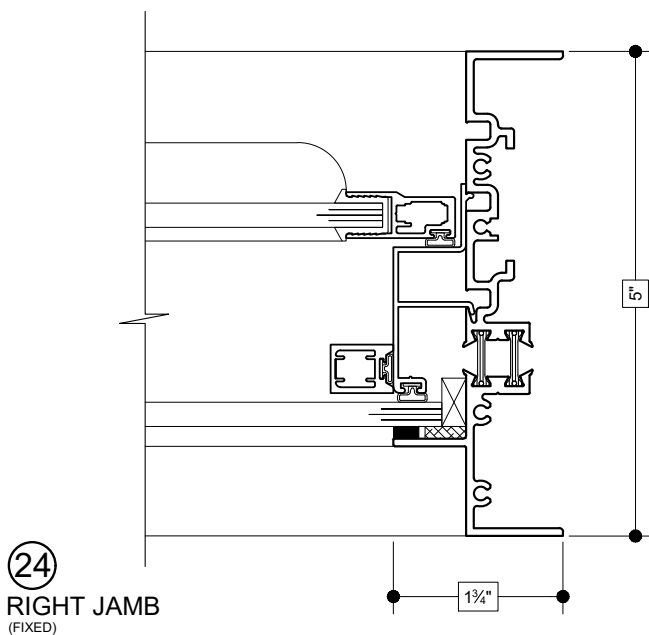
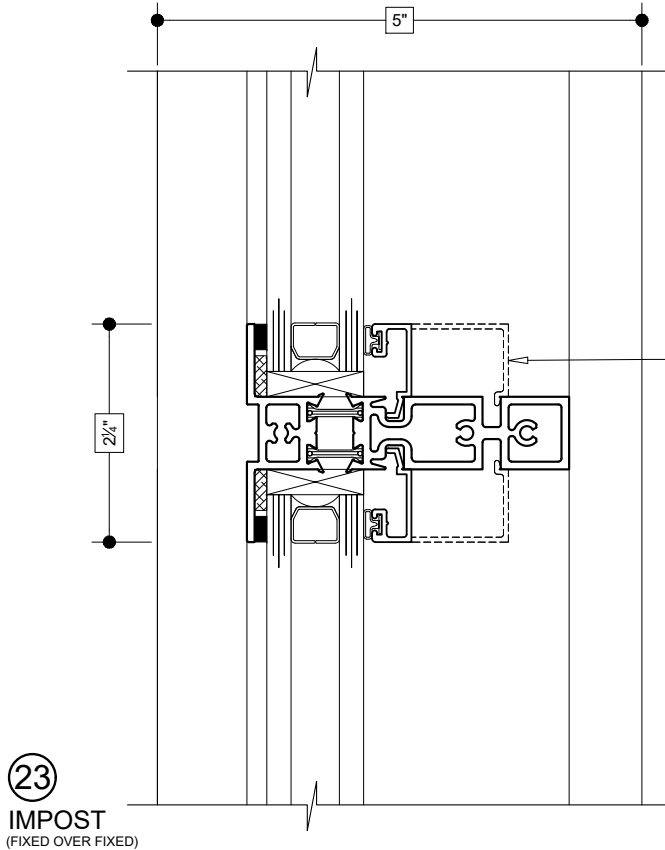
21
RIGHT JAMB
 (FIXED PANEL)



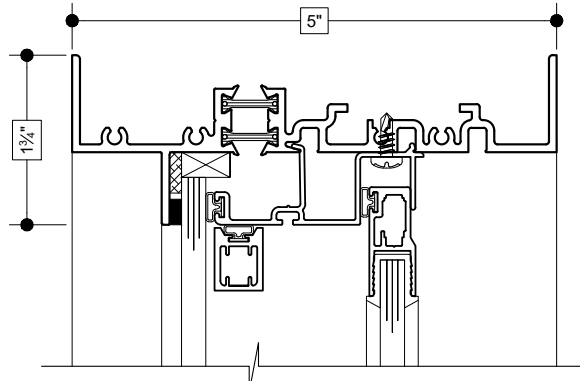
22
SILL
 (FIXED PANEL)

Details shown reflect the most commonly used configurations.
 Contact AWM for additional details and/or assistance.

02/26/19

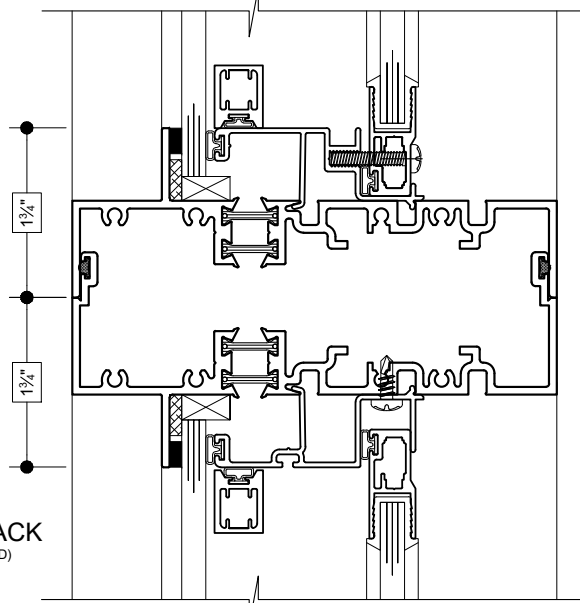


25
HEAD
 (FIXED)

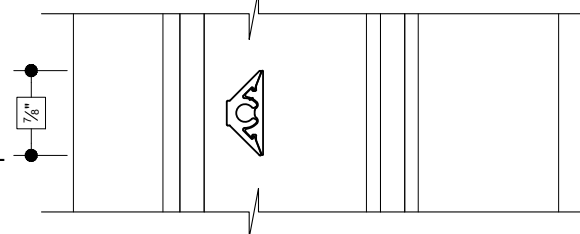


OPTIONAL
 GLAZING BEAD

26
SELF-STACK
 (FIXED OVER FIXED)



27
INTERNAL MUNTIN
 (TRAPEZOIDAL)



28
SILL
 (FIXED)

