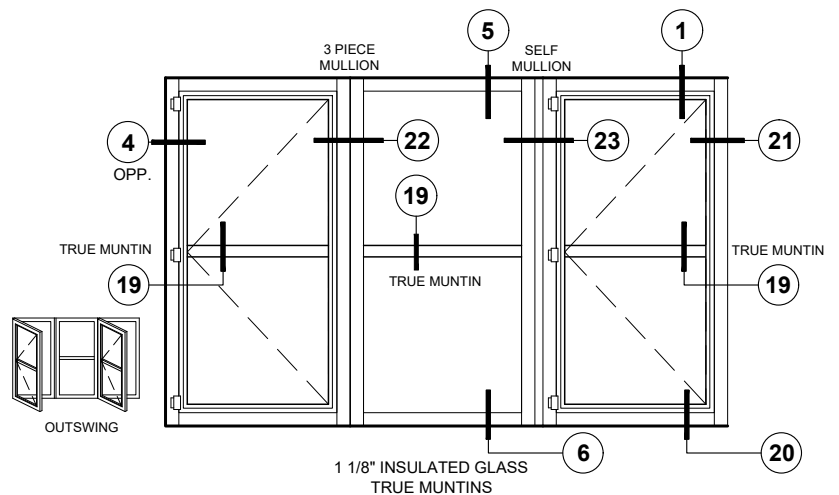
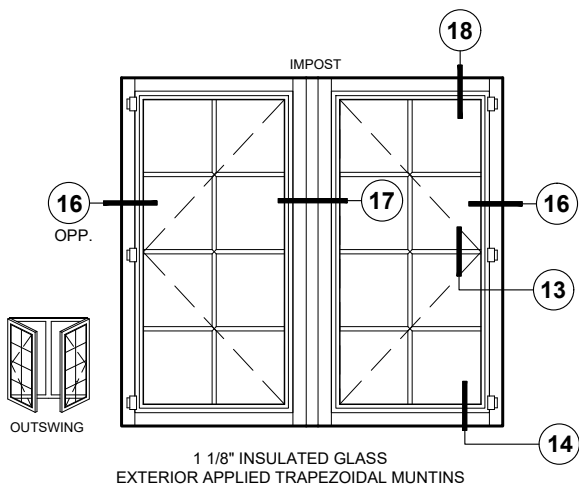
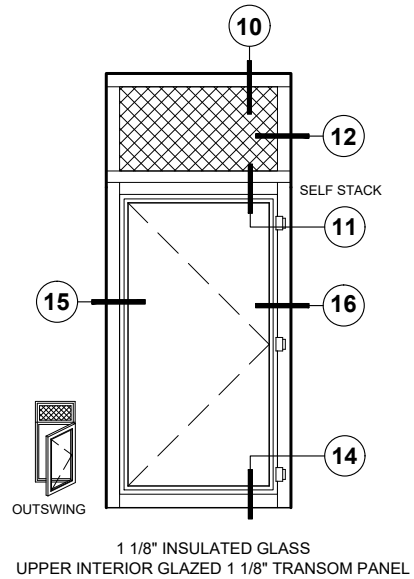
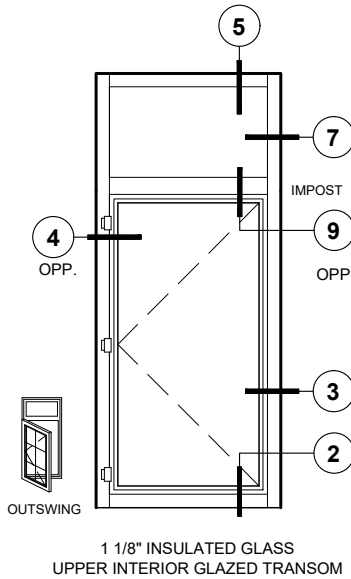
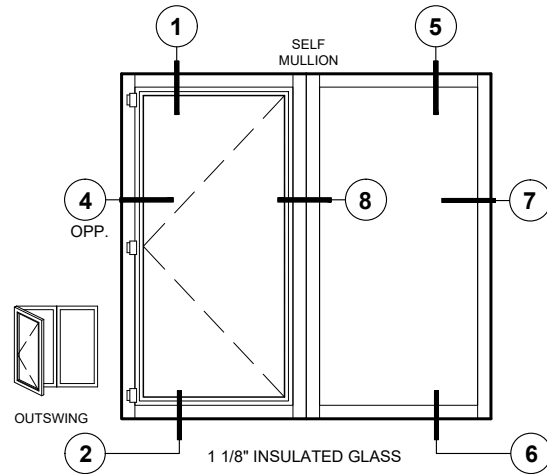
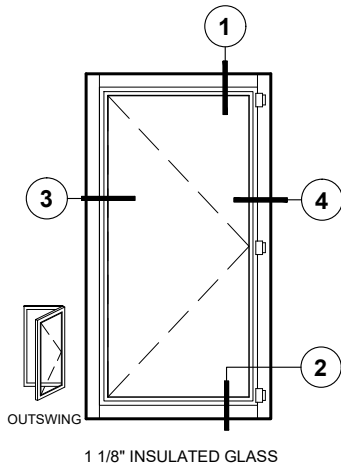


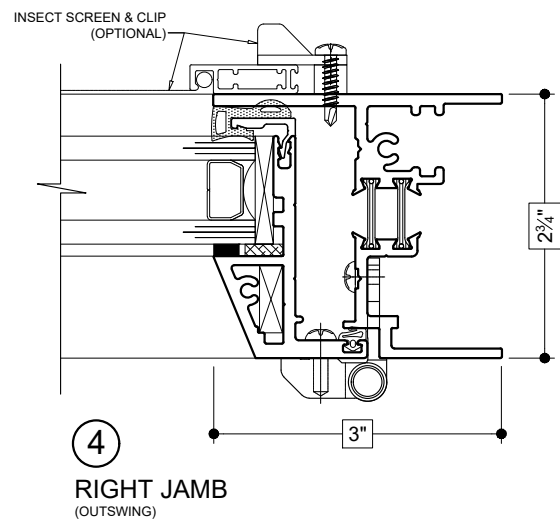
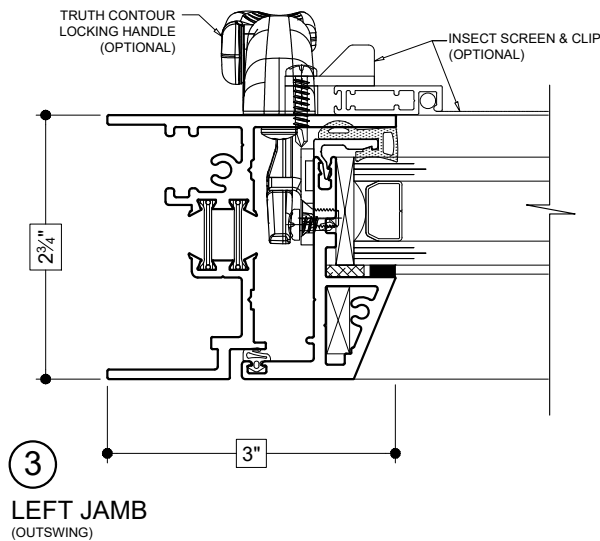
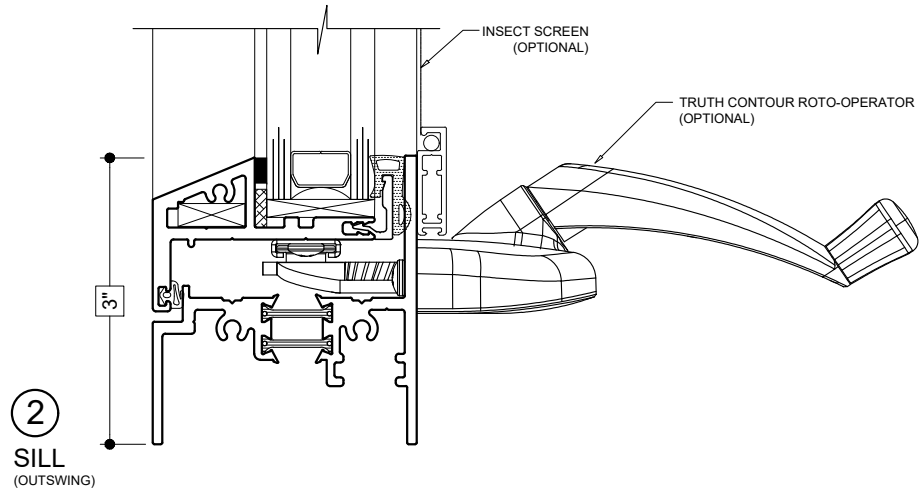
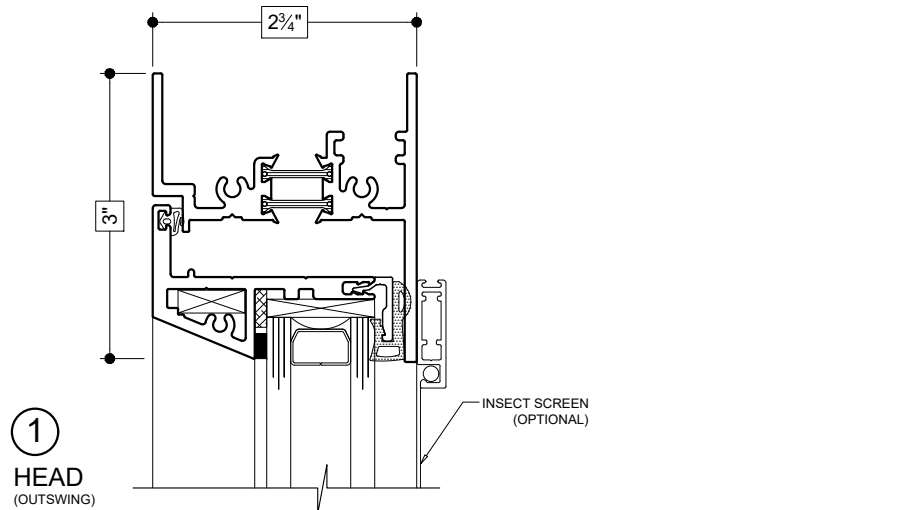
Details shown reflect the most commonly used configurations.
 Contact AWM for additional details and/or assistance.

05/09/19



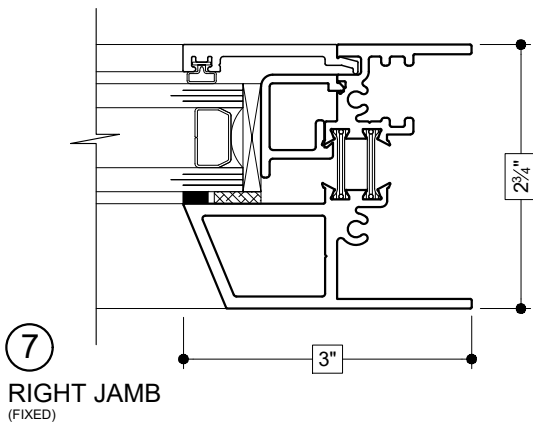
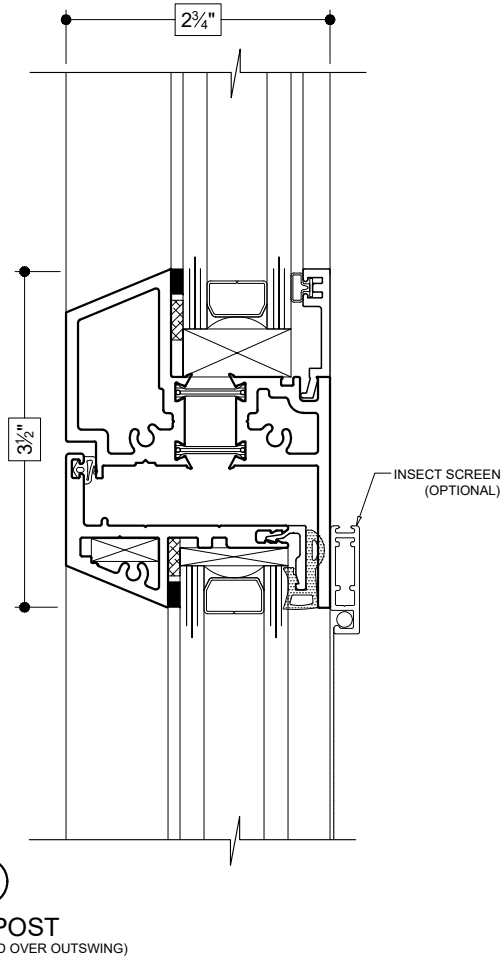
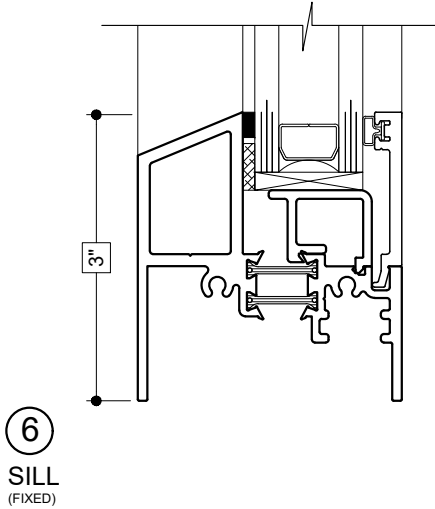
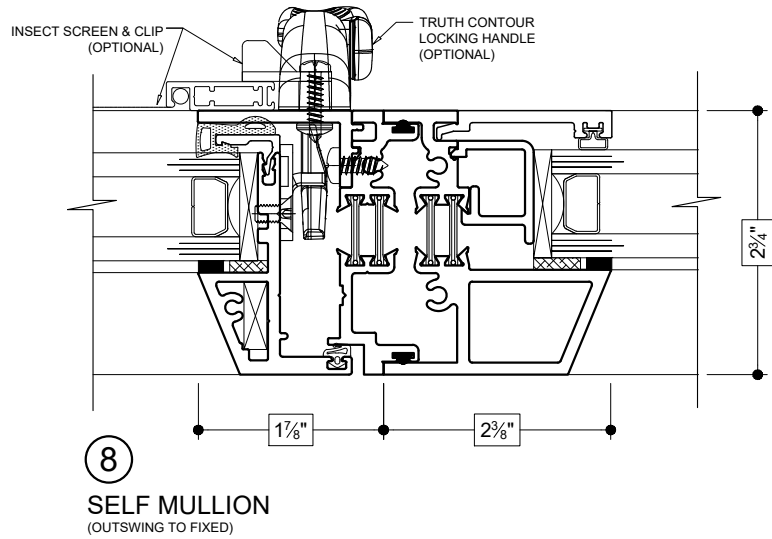
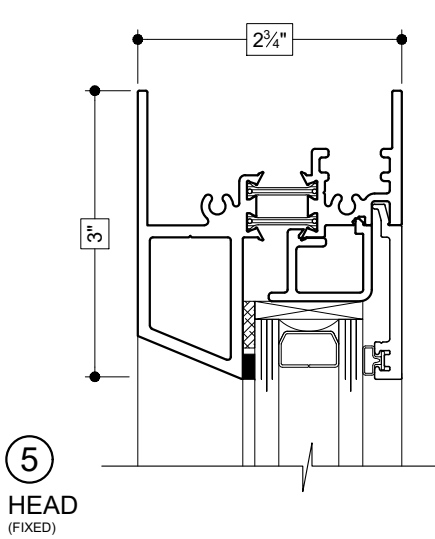
Details shown reflect the most commonly used configurations.
 Contact AWM for additional details and/or assistance.

05/09/19



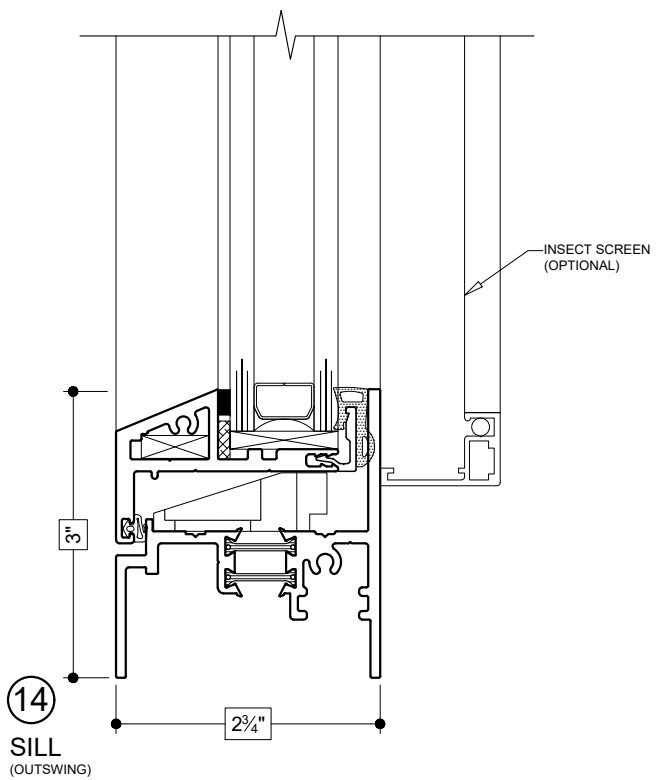
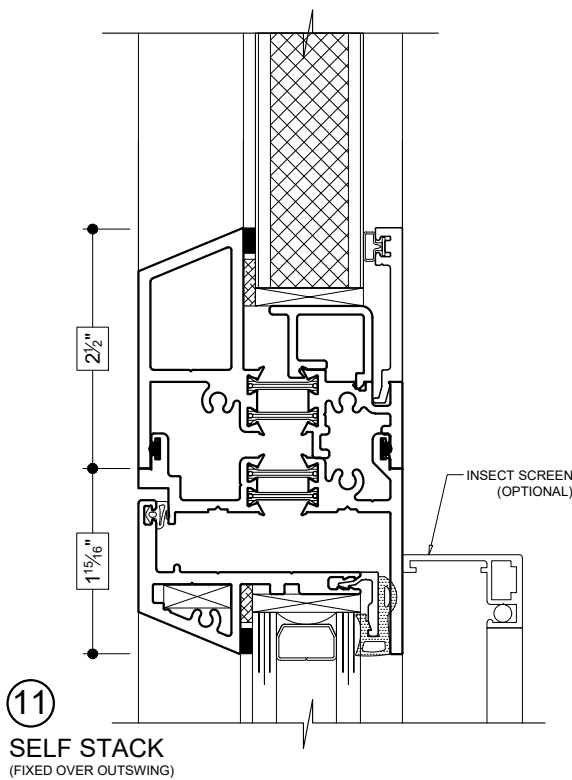
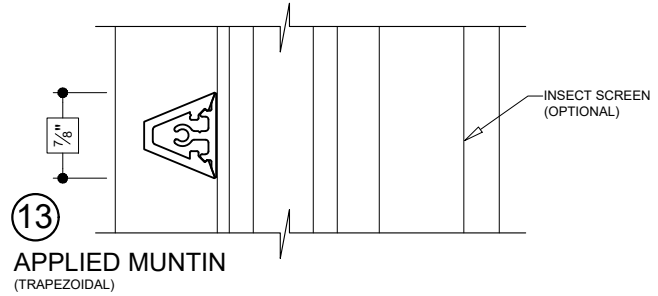
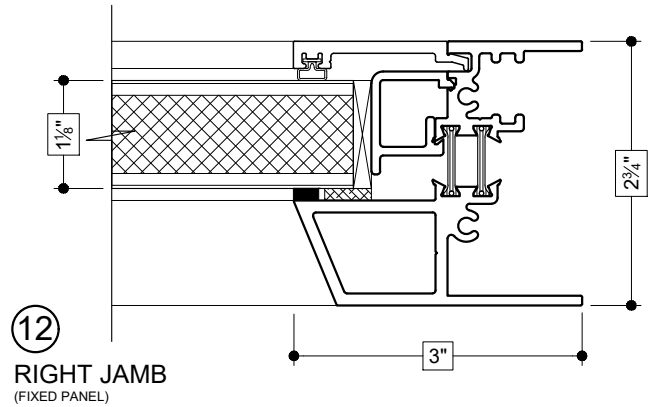
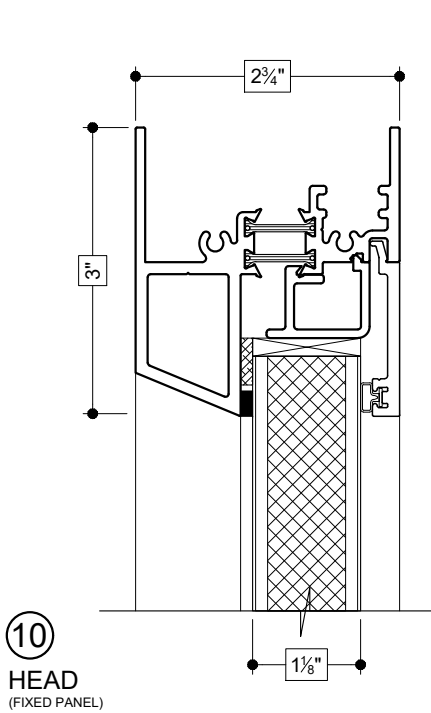
Details shown reflect the most commonly used configurations.
 Contact AWM for additional details and/or assistance.

05/09/19



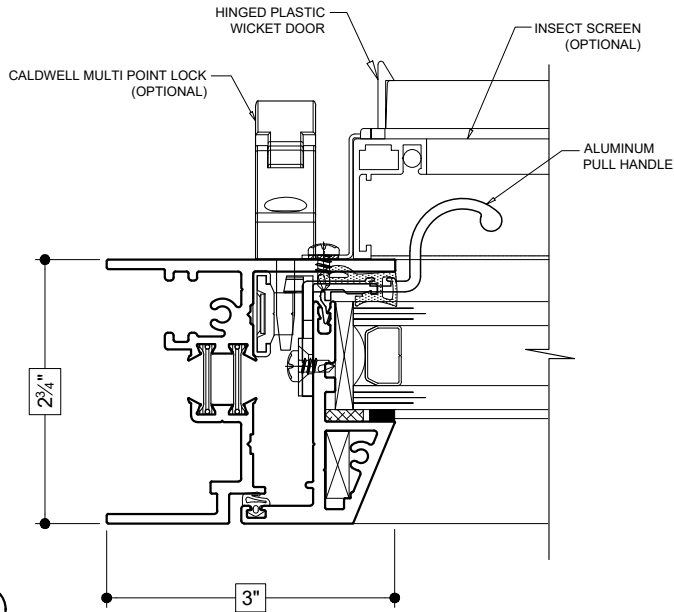
Details shown reflect the most commonly used configurations.
 Contact AWM for additional details and/or assistance.

05/09/19

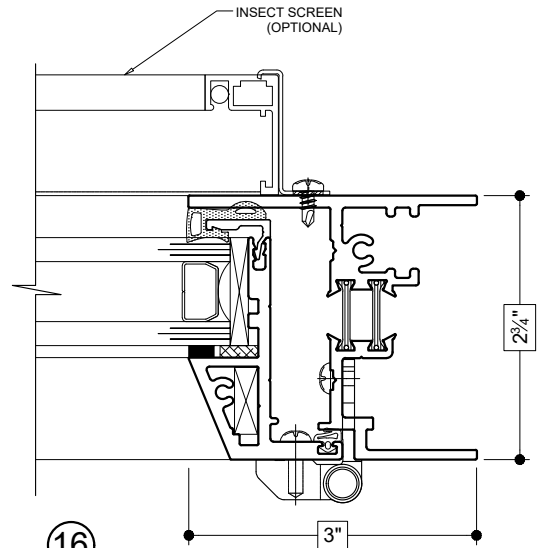


Details shown reflect the most commonly used configurations.
 Contact AWM for additional details and/or assistance.

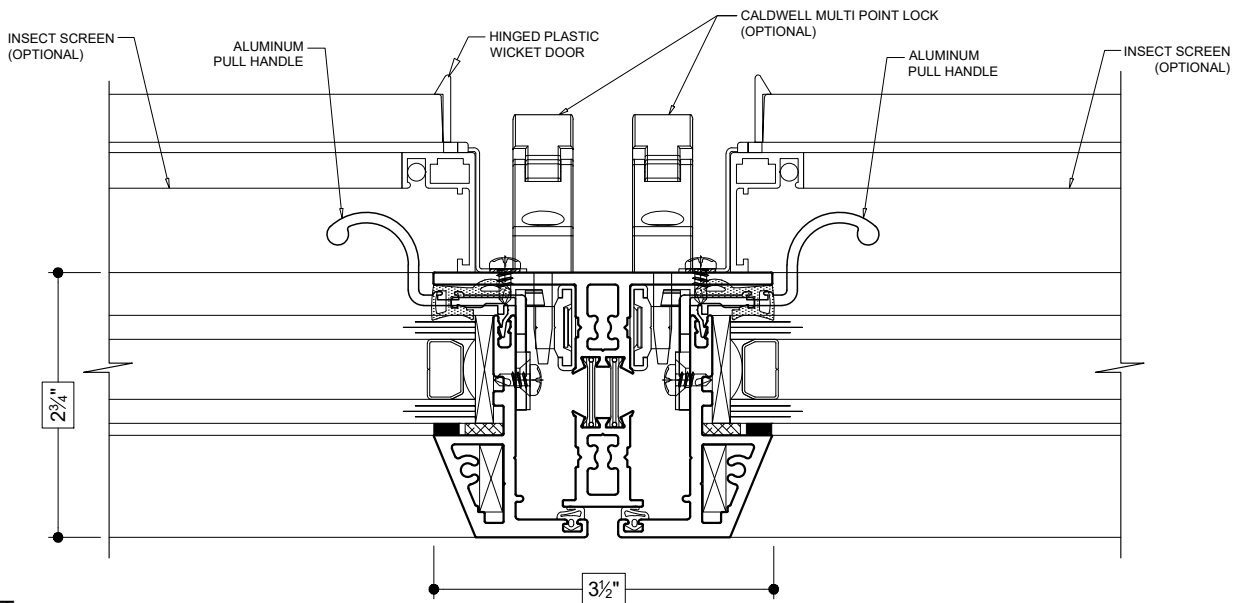
05/09/19



15
LEFT JAMB
 (OUTSWING)



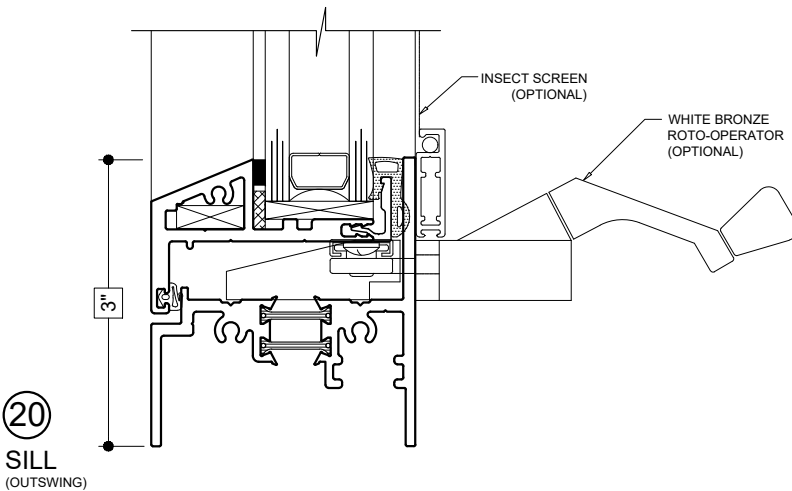
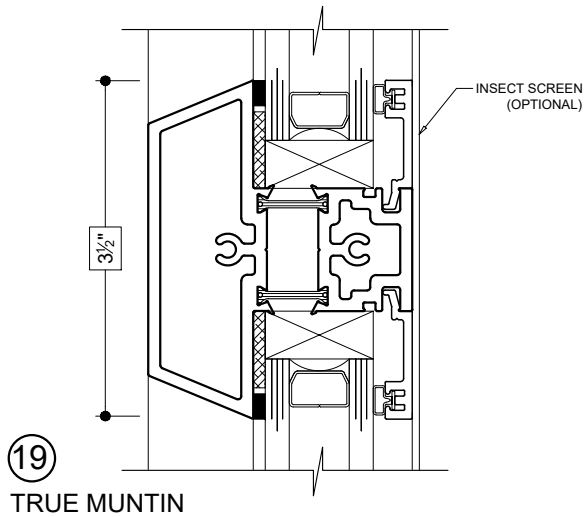
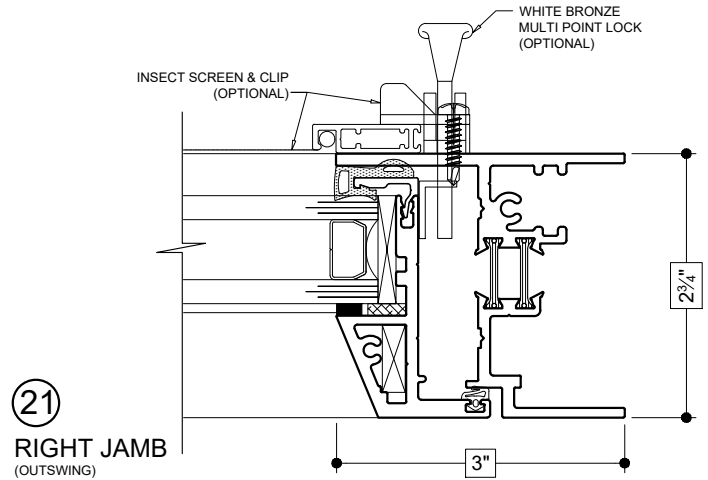
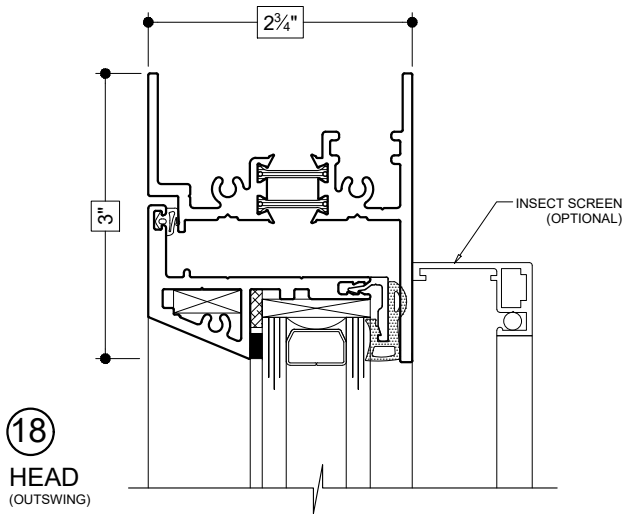
16
RIGHT JAMB
 (OUTSWING)



17
IMPOST
 (OUTSWING TO OUTSWING)

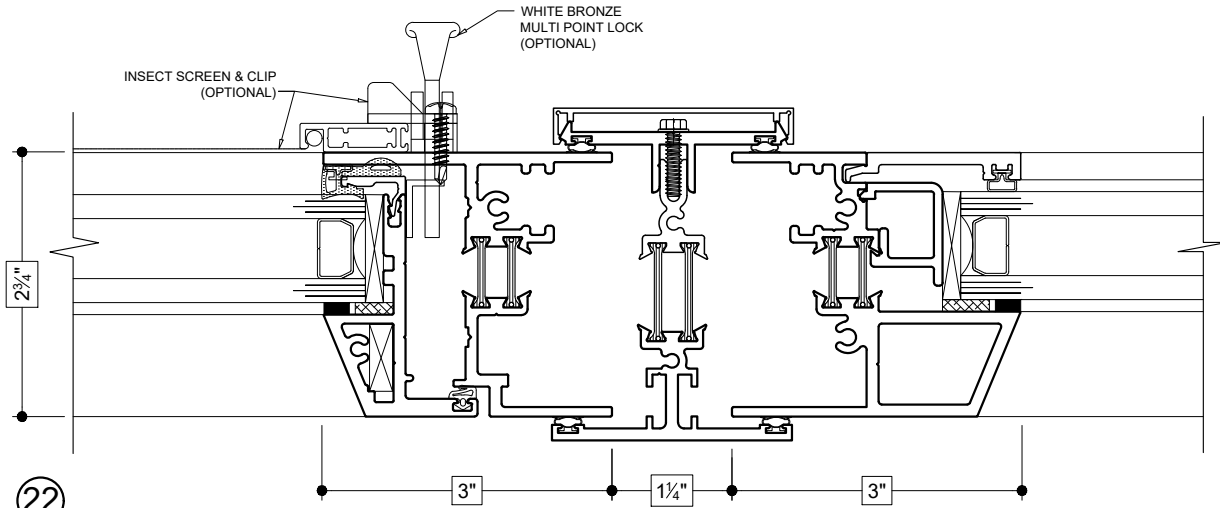
Details shown reflect the most commonly used configurations.
 Contact AWM for additional details and/or assistance.

05/09/19



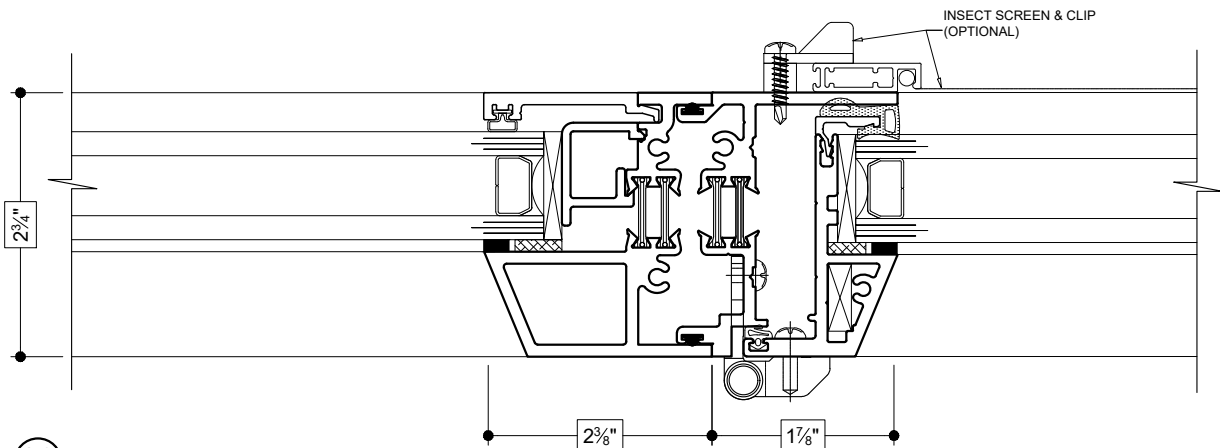
Details shown reflect the most commonly used configurations.
 Contact AWM for additional details and/or assistance.

05/09/19



22

3 PIECE MULLION
 (OUTSWING TO FIXED)



23

SELF MULLION
 (FIXED TO OUTSWING)

Details shown reflect the most commonly used configurations.
 Contact AWM for additional details and/or assistance.

05/09/19

OPTIONAL 2" EXTERIOR FLANGE

