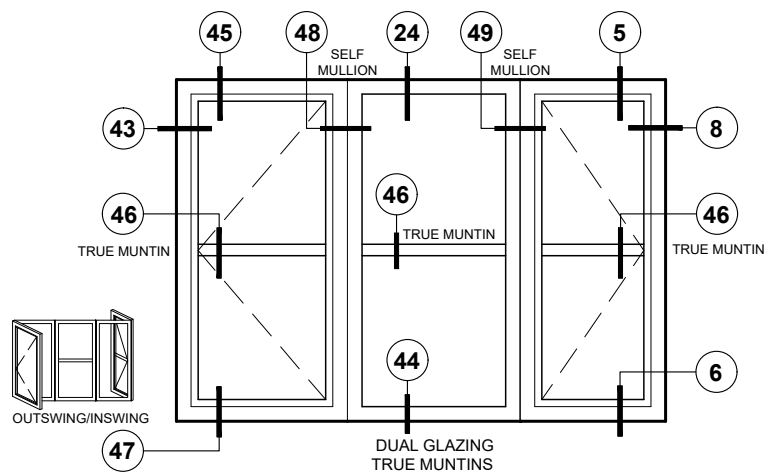
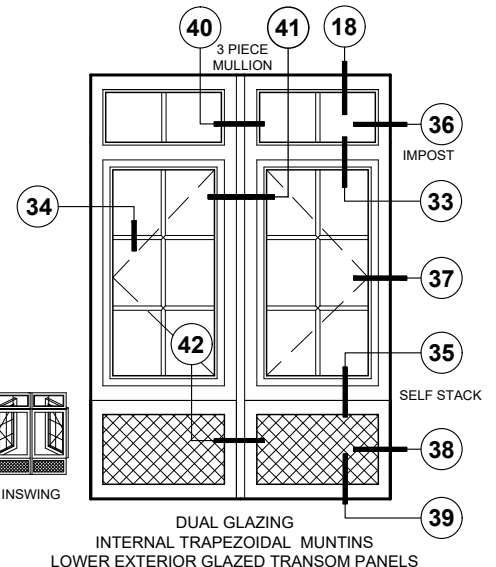
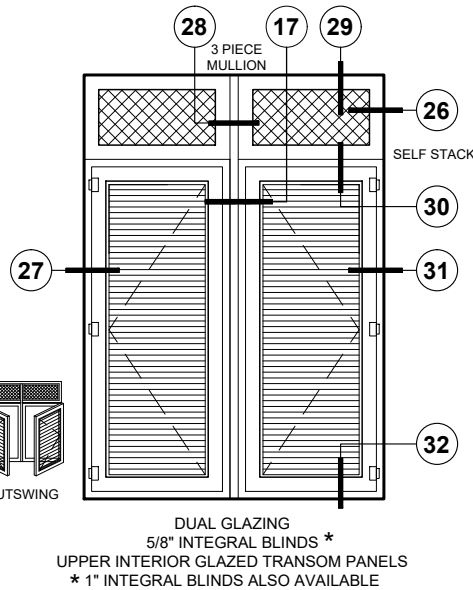
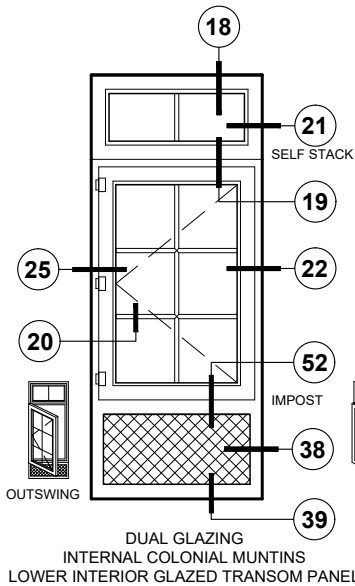
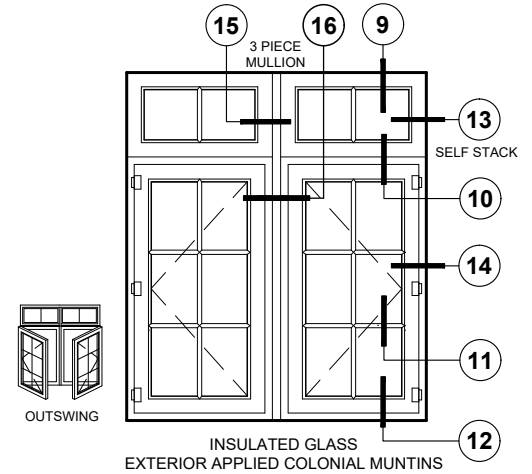
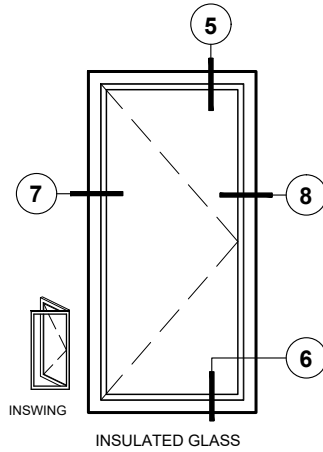
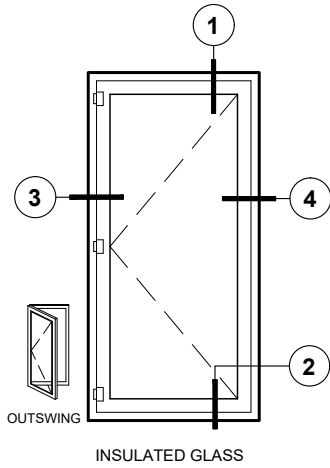


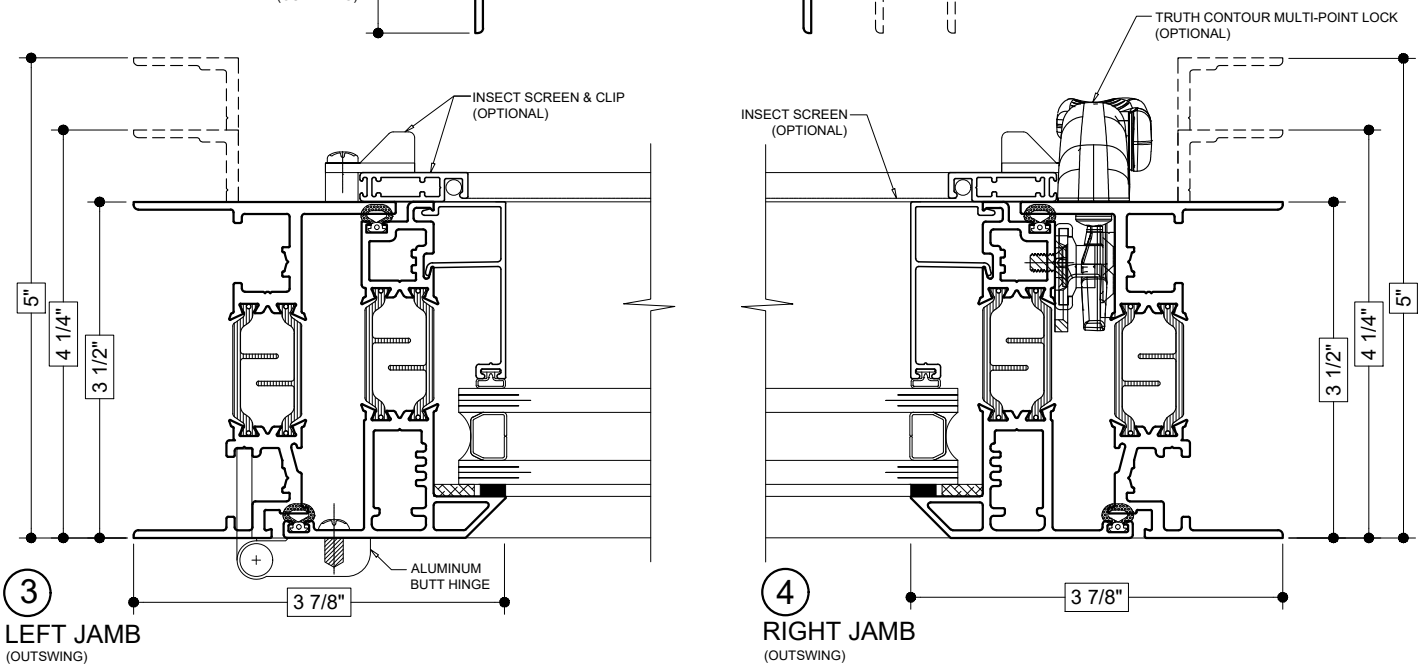
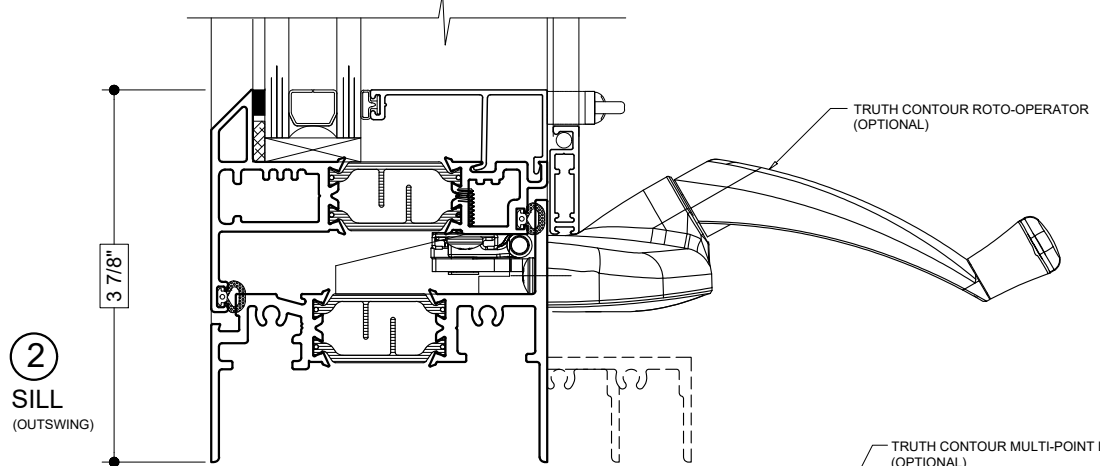
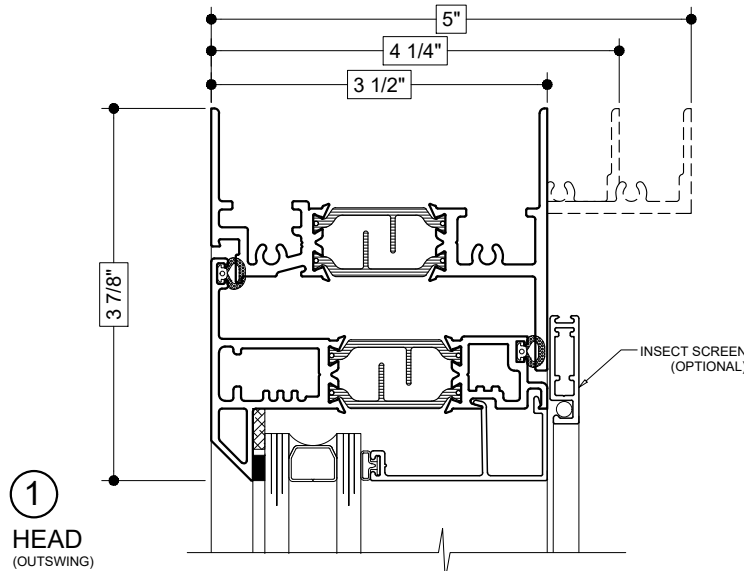
Details shown reflect the most commonly used configurations.
 Contact AWM for additional details and/or assistance.

7/2/19



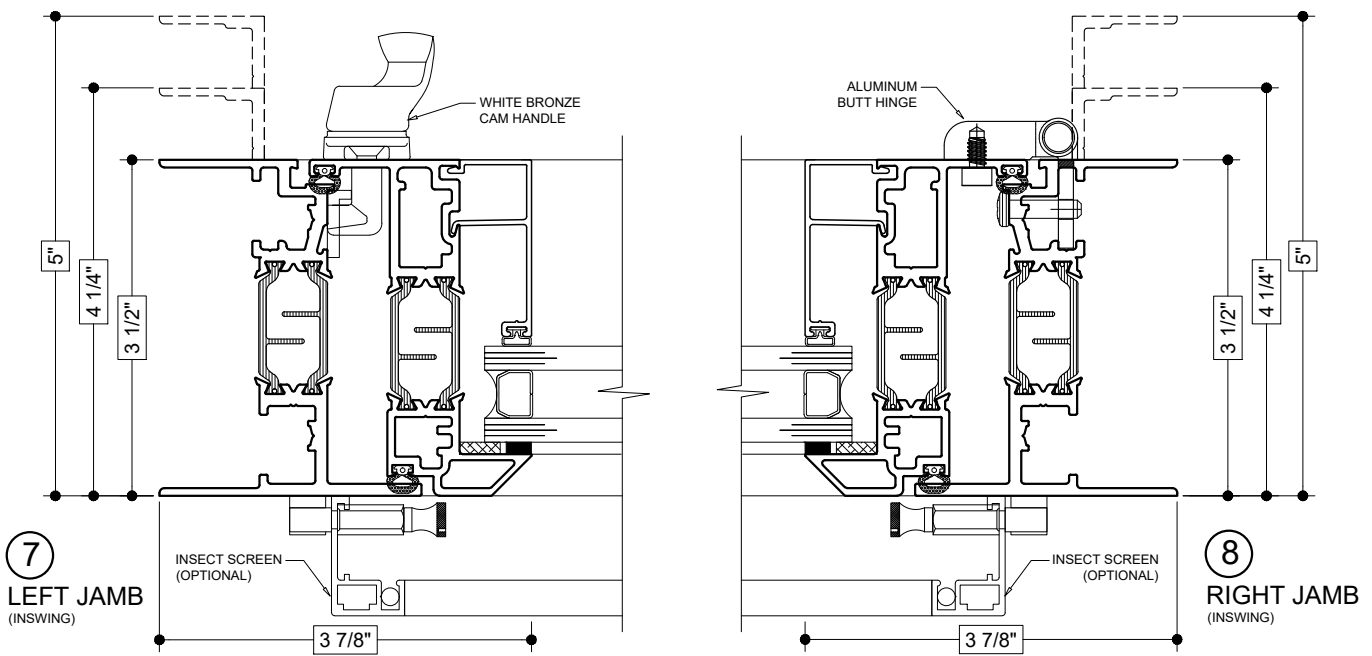
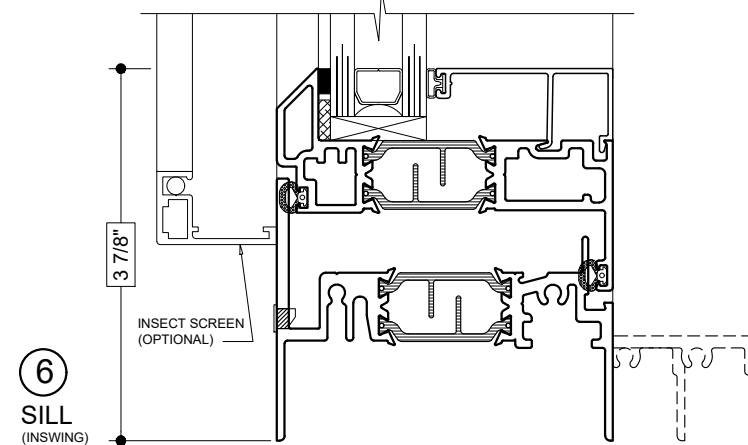
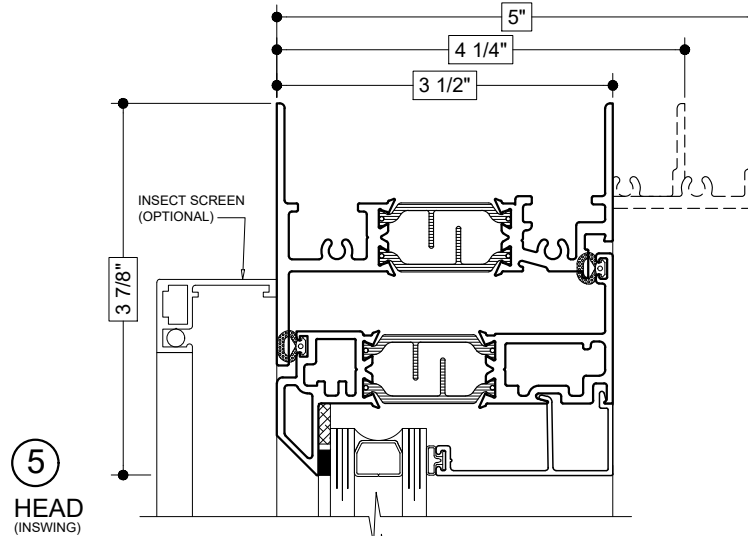
Details shown reflect the most commonly used configurations.
 Contact AWM for additional details and/or assistance.

7/2/19



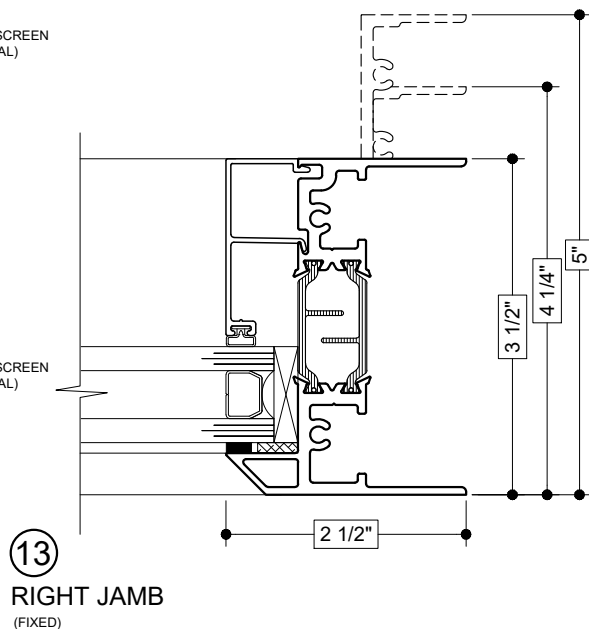
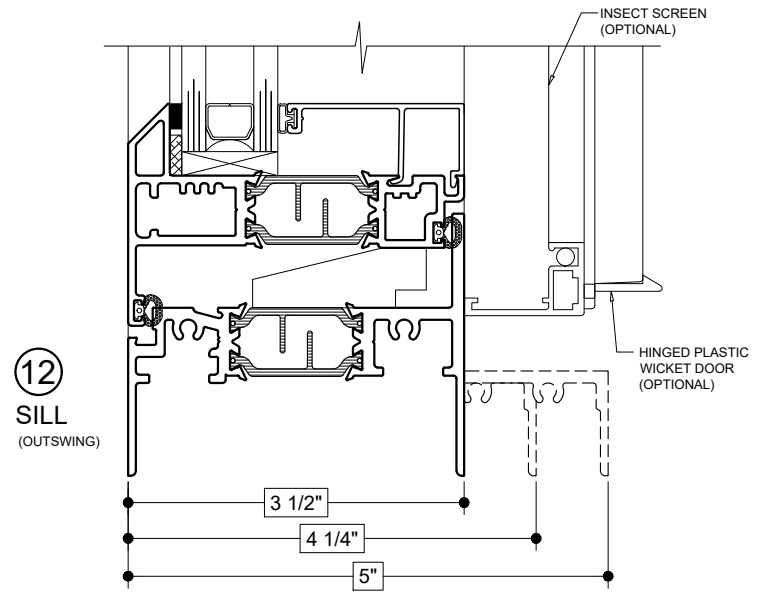
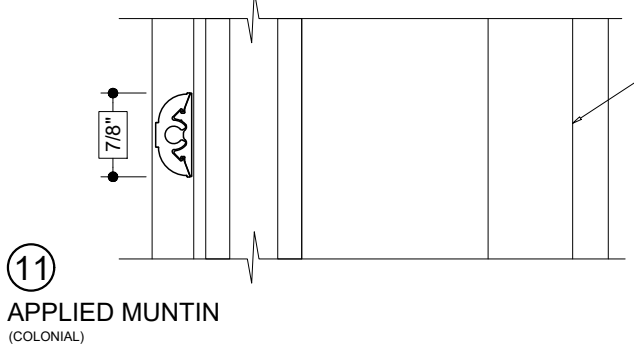
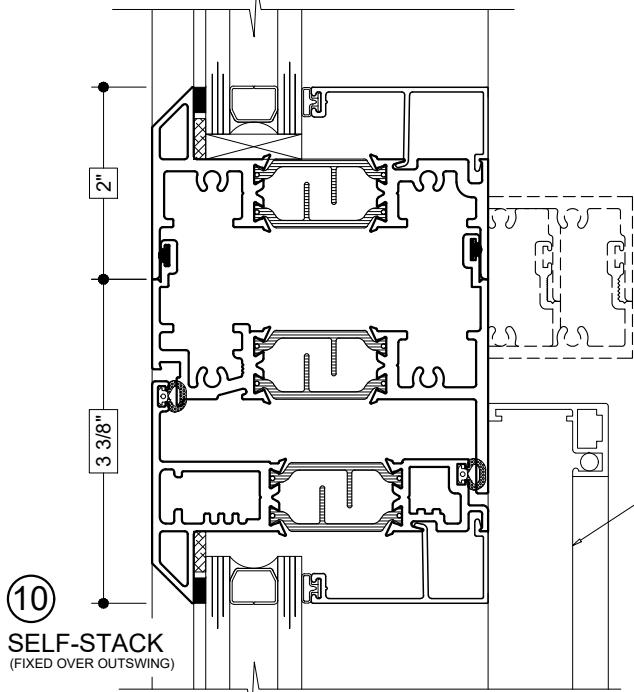
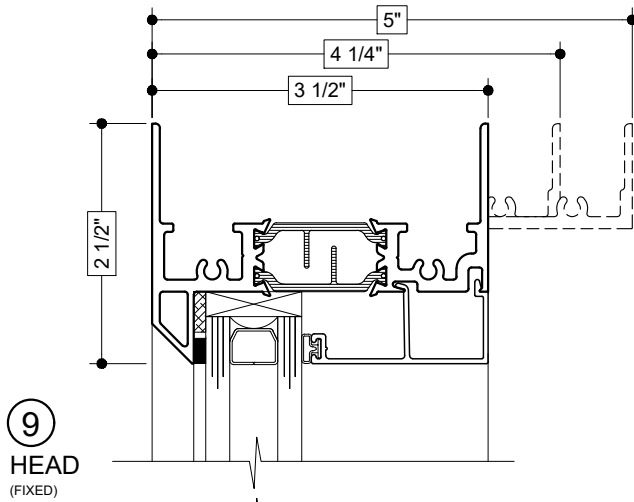
Details shown reflect the most commonly used configurations.
 Contact AWM for additional details and/or assistance.

7/2/19



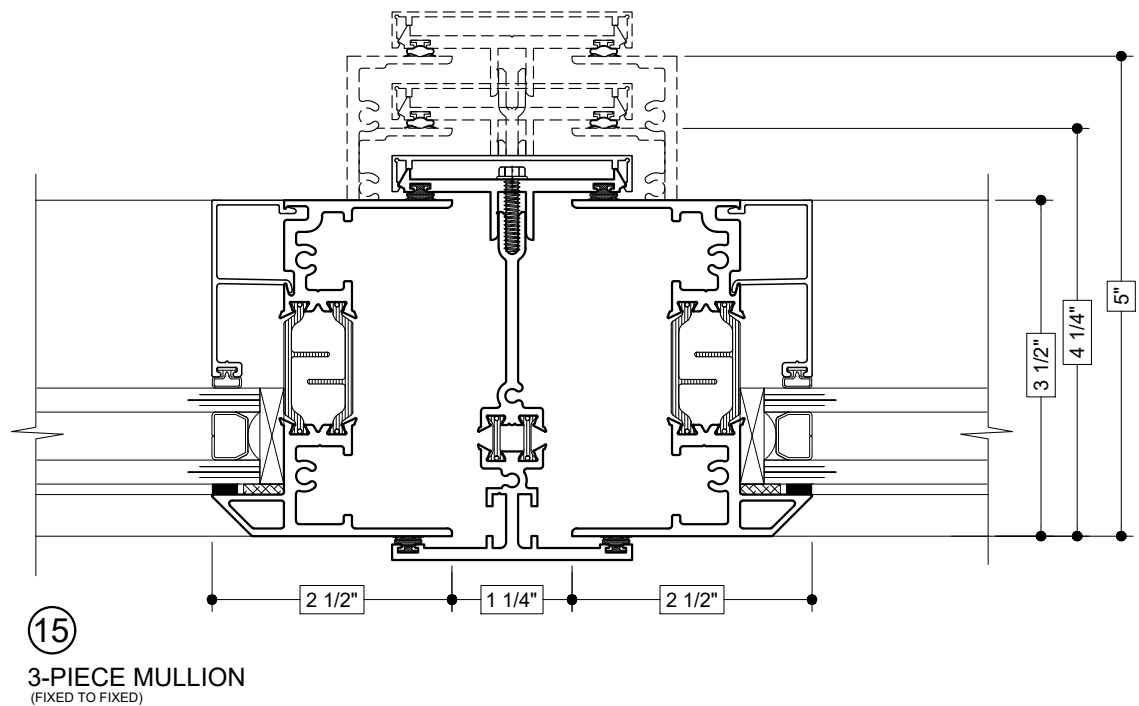
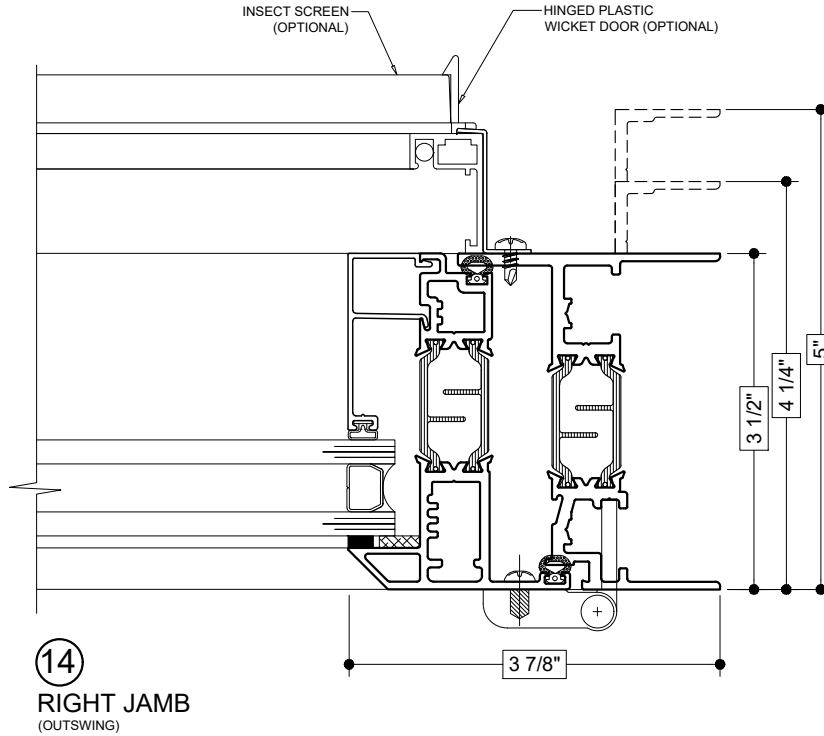
Details shown reflect the most commonly used configurations.
 Contact AWM for additional details and/or assistance.

7/2/19



Details shown reflect the most commonly used configurations.
 Contact AWM for additional details and/or assistance.

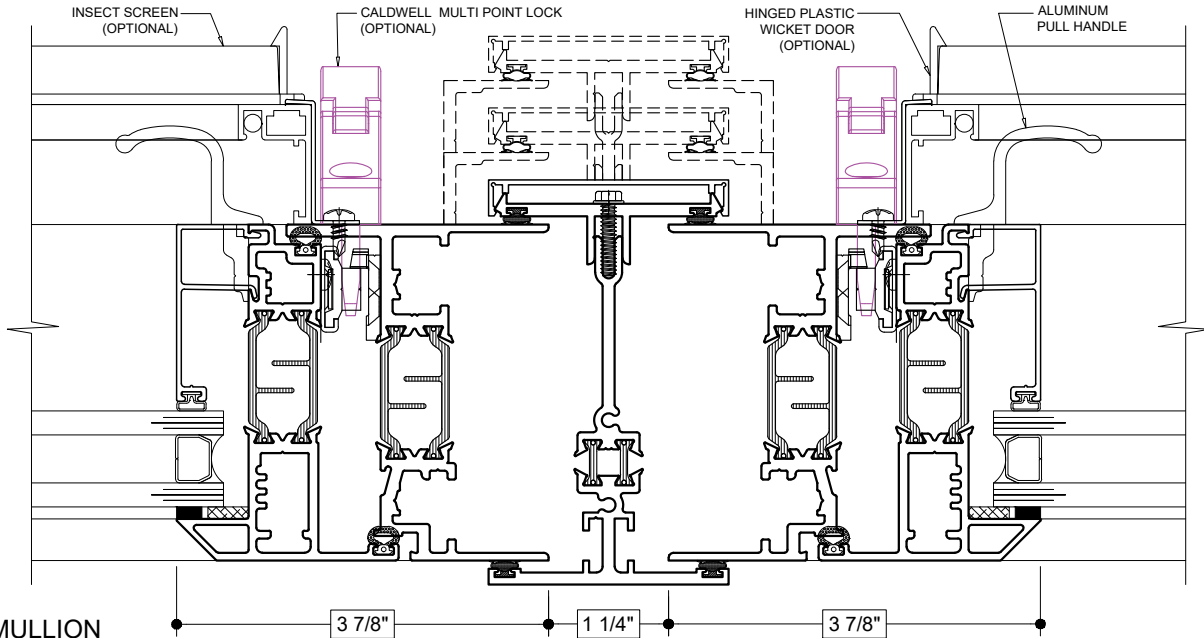
7/2/19



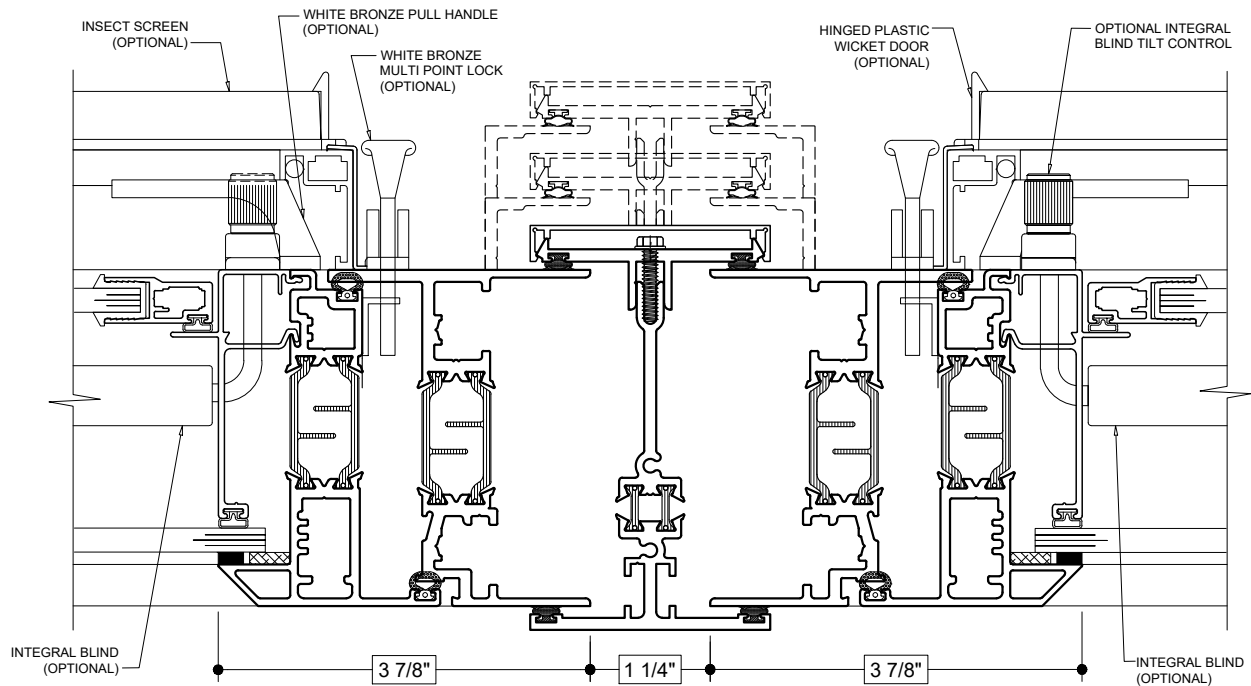
Details shown reflect the most commonly used configurations.
 Contact AWM for additional details and/or assistance.

7/2/19

16
3-PIECE MULLION
 (OUTSWING TO OUTSWING)

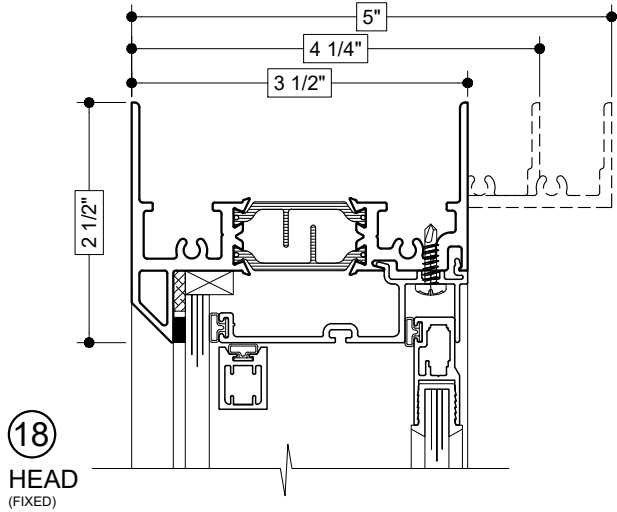


17
3-PIECE MULLION
 (OUTSWING TO OUTSWING)

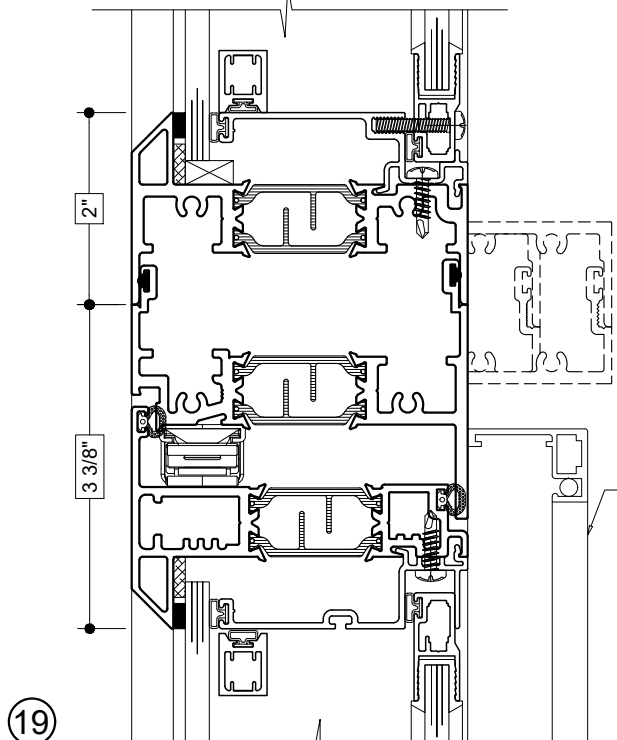


Details shown reflect the most commonly used configurations.
 Contact AWM for additional details and/or assistance.

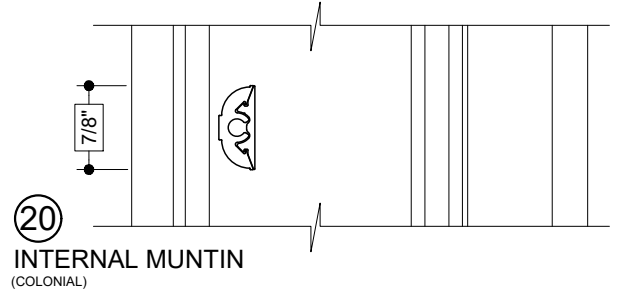
7/2/19



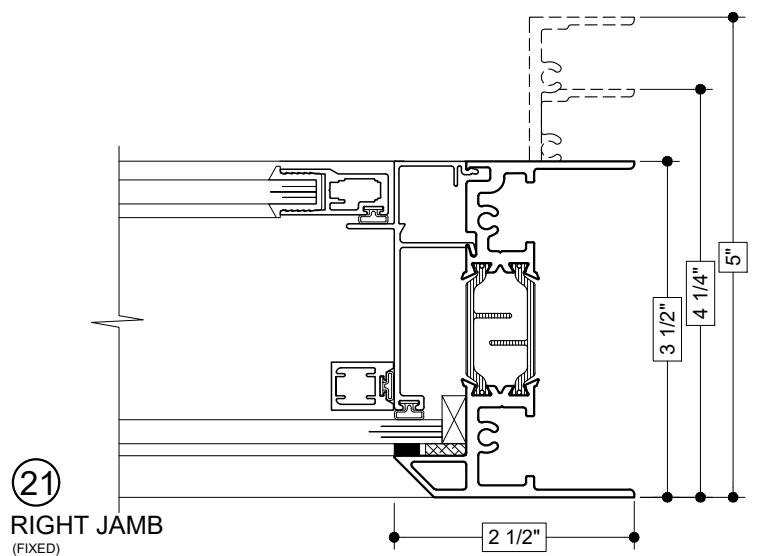
18
HEAD
 (FIXED)



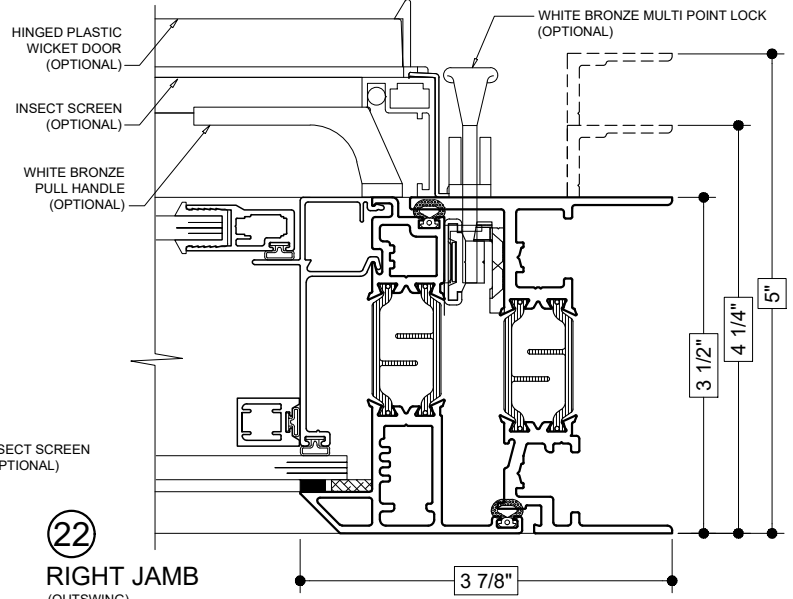
19
SELF-STACK
 (FIXED OVER OUTSWING)



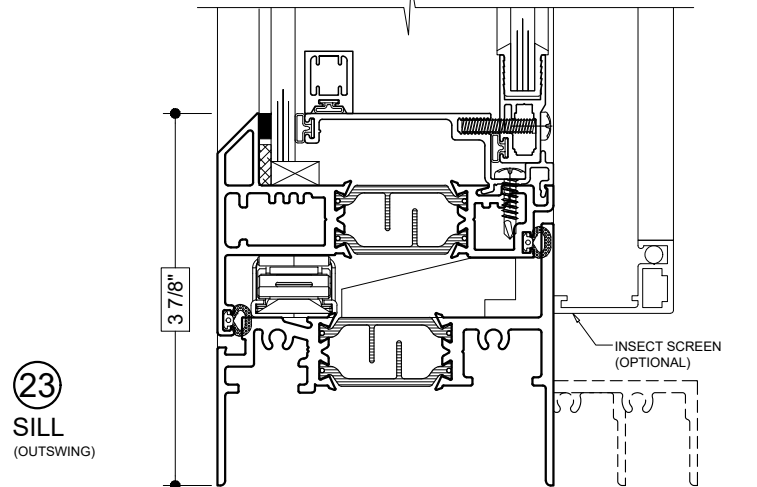
20
INTERNAL MUNTIN
 (COLONIAL)



21
RIGHT JAMB
 (FIXED)



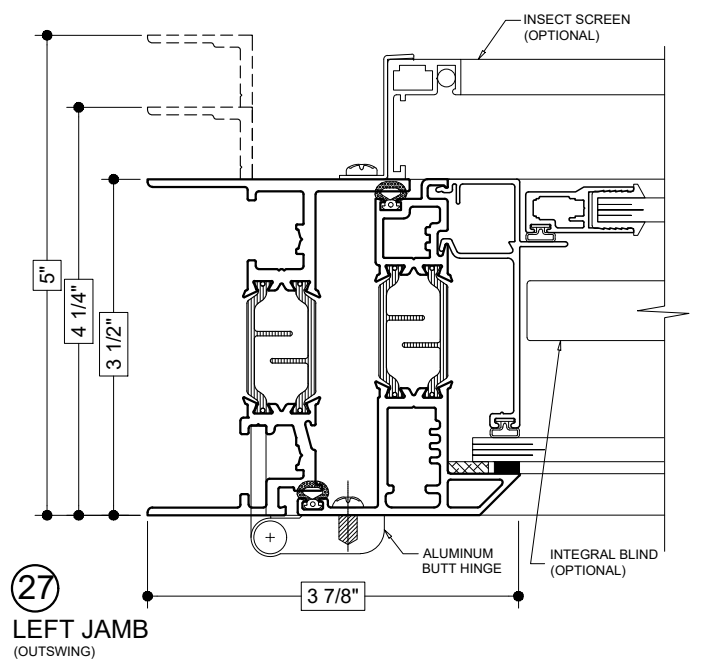
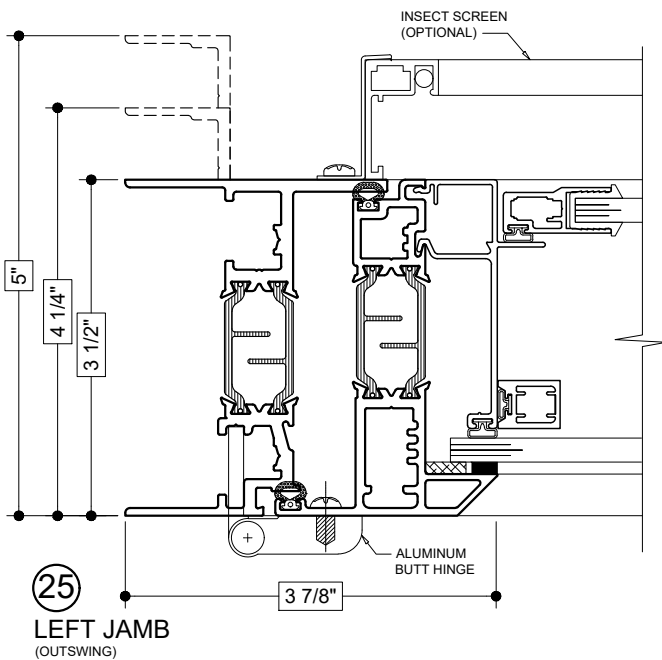
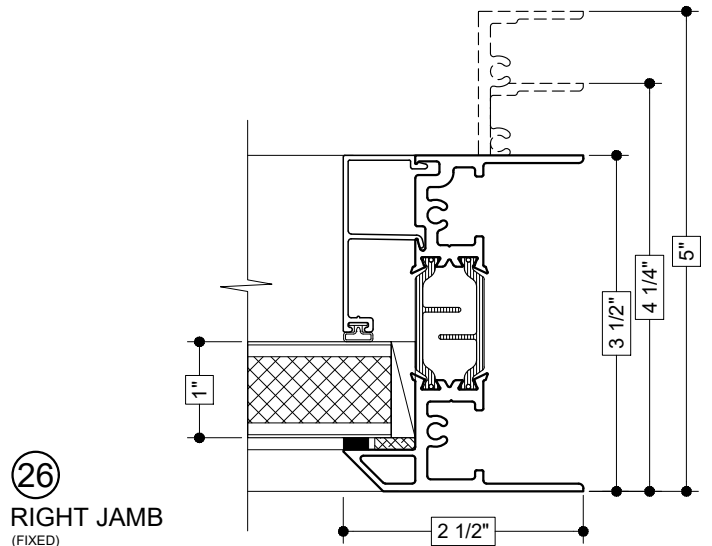
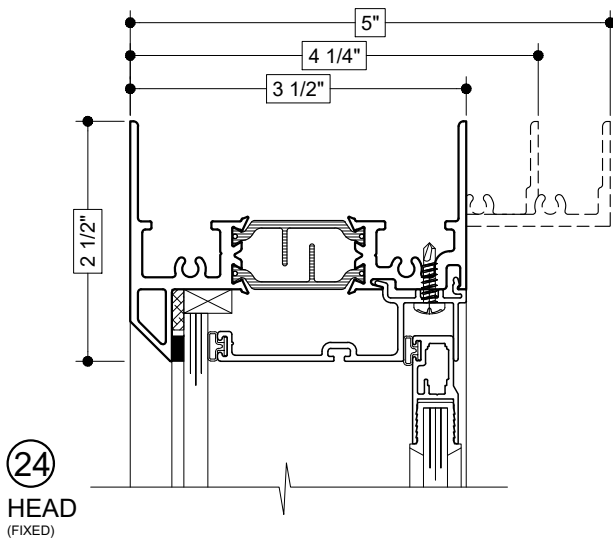
22
RIGHT JAMB
 (OUTSWING)



23
SILL
 (OUTSWING)

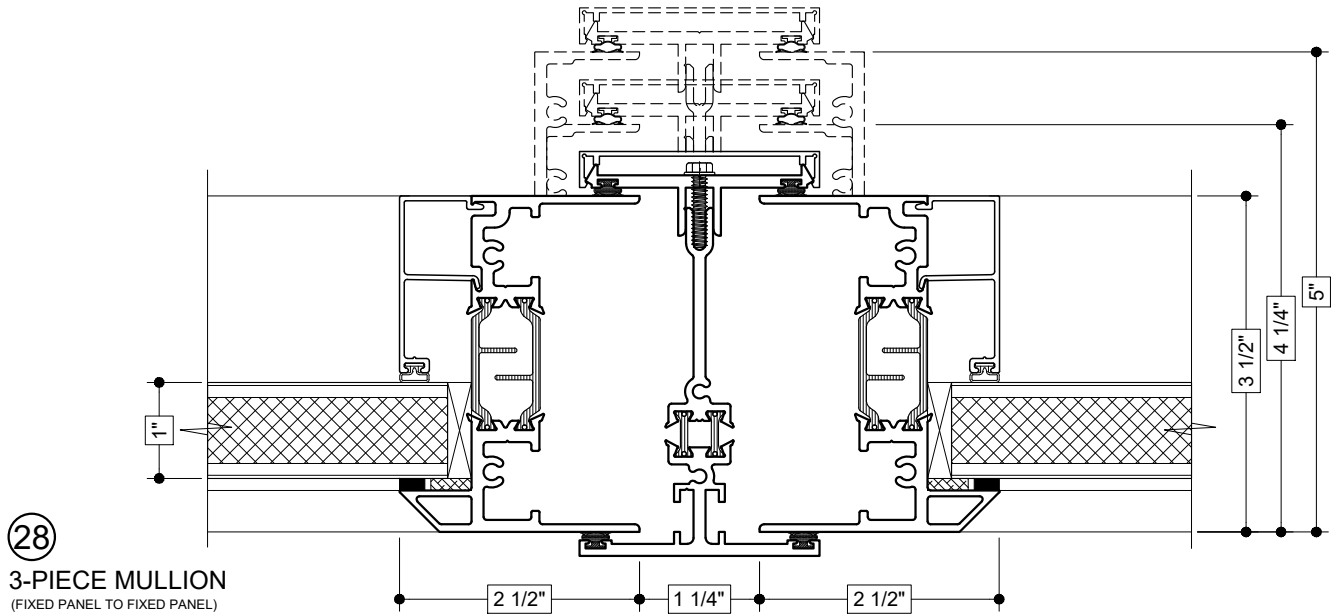
Details shown reflect the most commonly used configurations.
 Contact AWM for additional details and/or assistance.

7/2/19

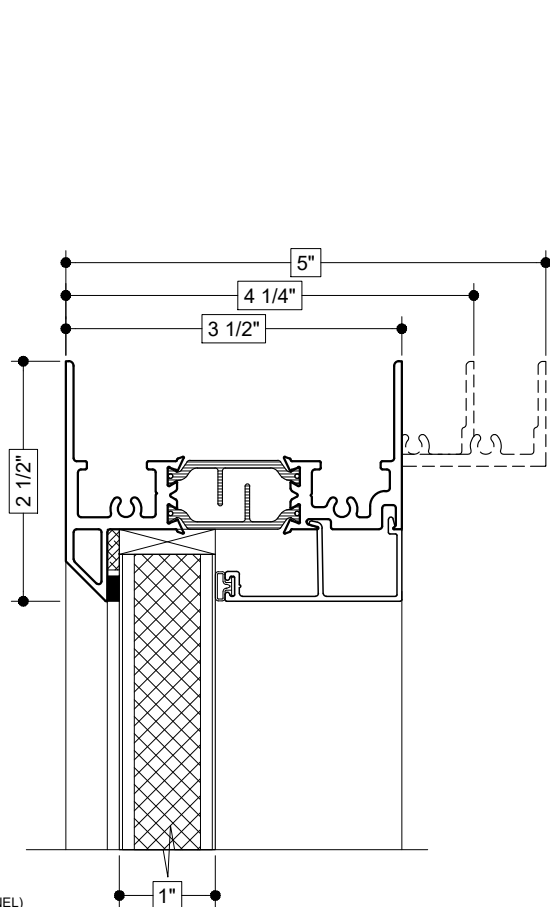


Details shown reflect the most commonly used configurations.
 Contact AWM for additional details and/or assistance.

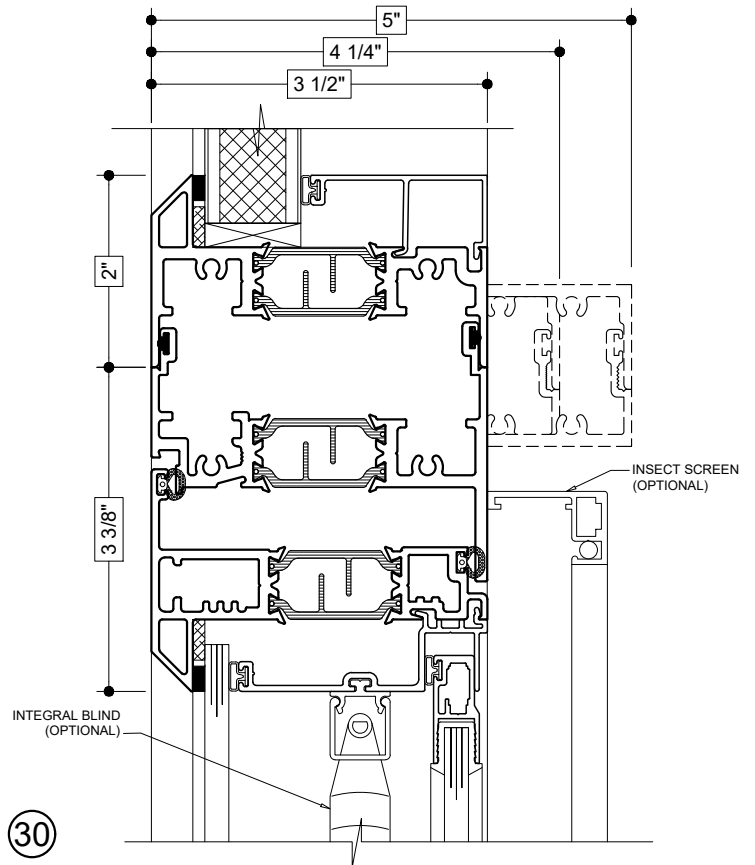
7/2/19



28
3-PIECE MULLION
 (FIXED PANEL TO FIXED PANEL)



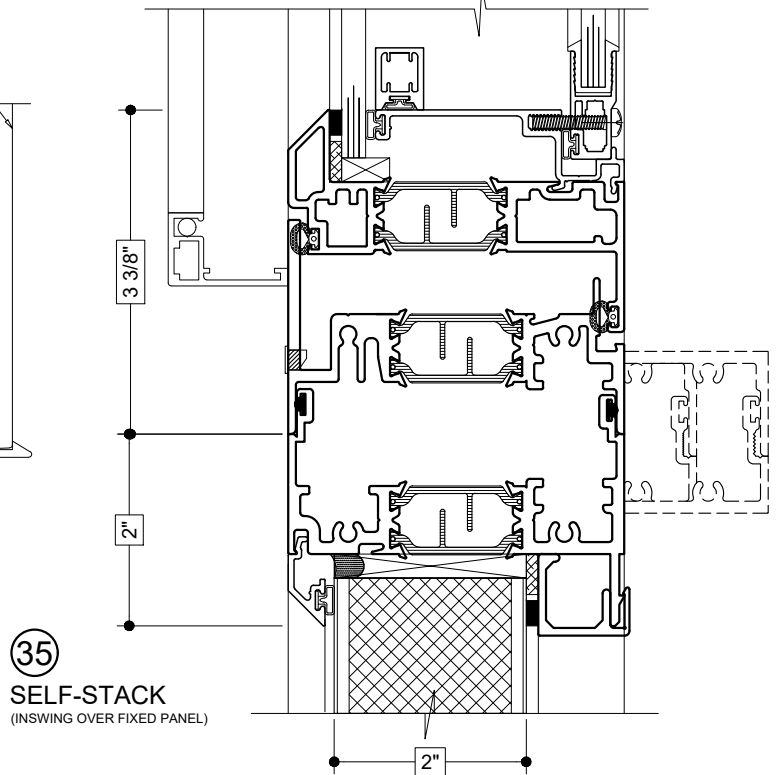
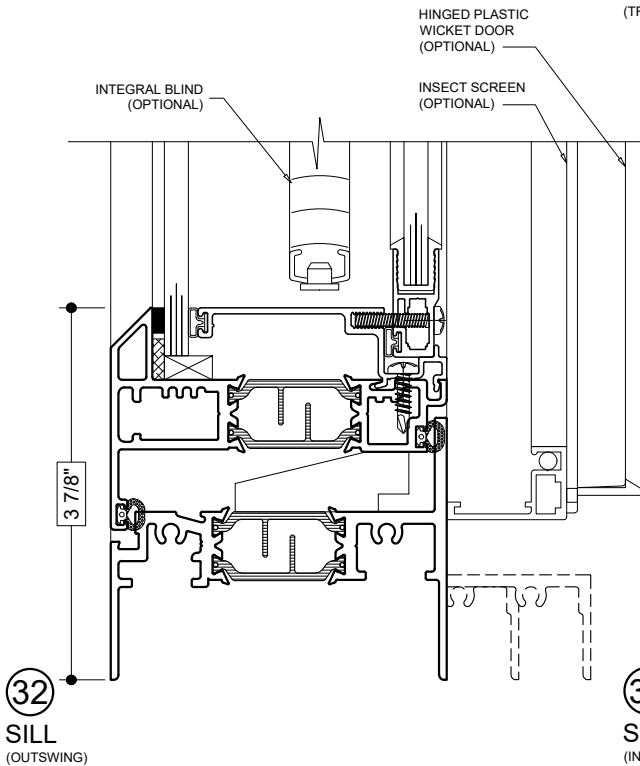
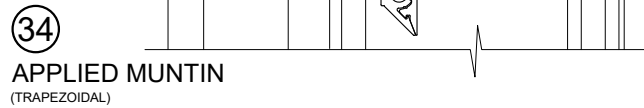
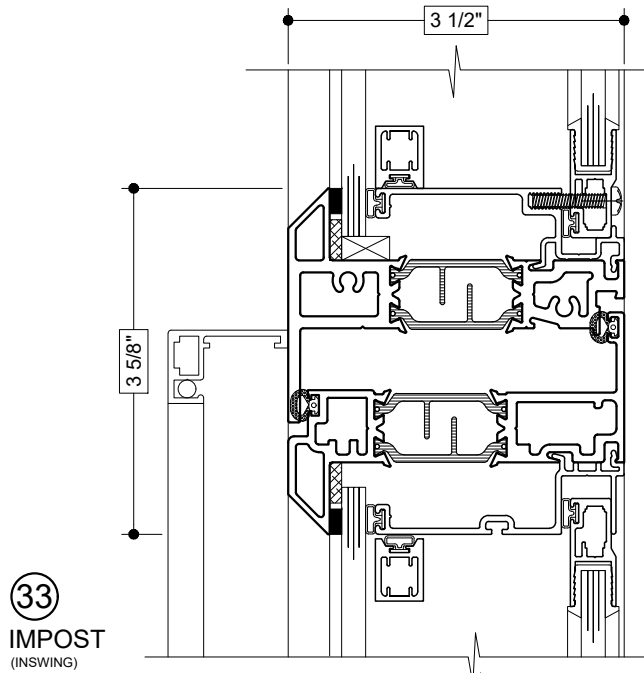
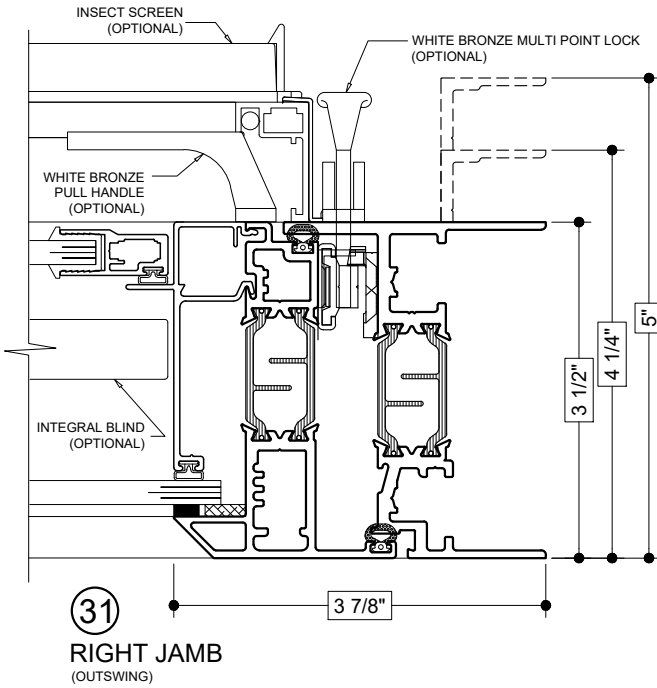
29
HEAD
 (FIXED PANEL)



30
SELF-STACK
 (FIXED OVER OUTSWING)

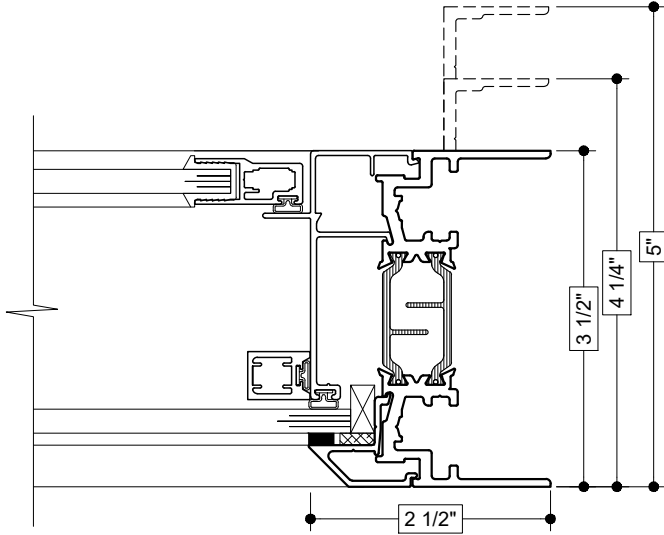
Details shown reflect the most commonly used configurations.
 Contact AWM for additional details and/or assistance.

7/2/19

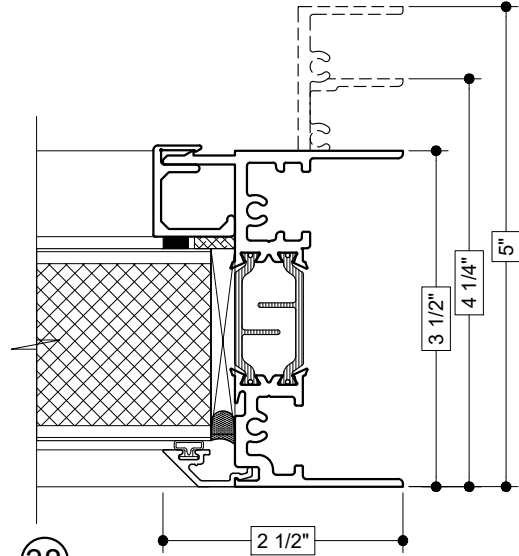


Details shown reflect the most commonly used configurations.
 Contact AWM for additional details and/or assistance.

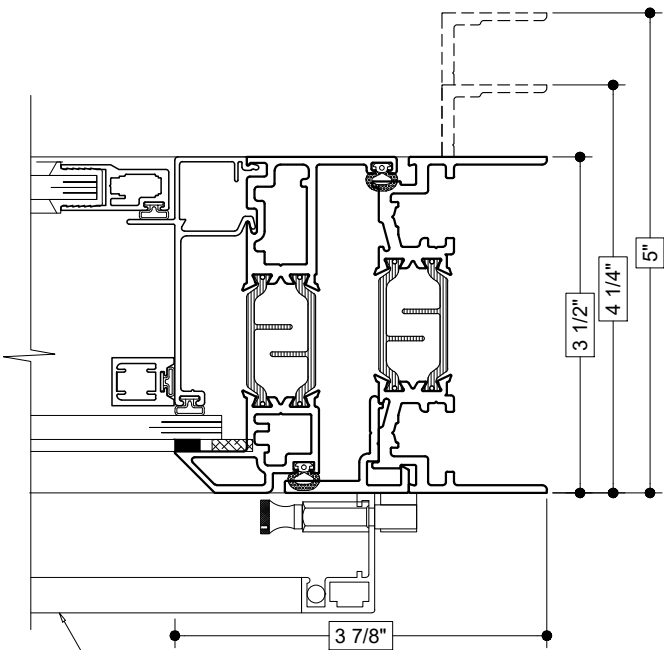
7/2/19



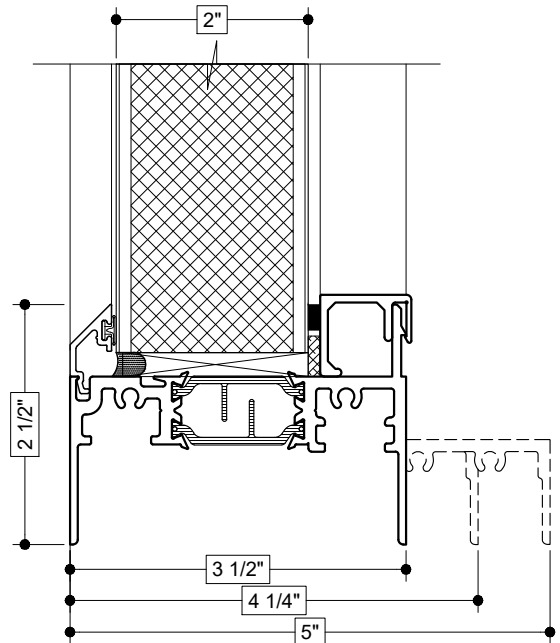
36
RIGHT JAMB
 (FIXED)



38
RIGHT JAMB
 (FIXED PANEL)



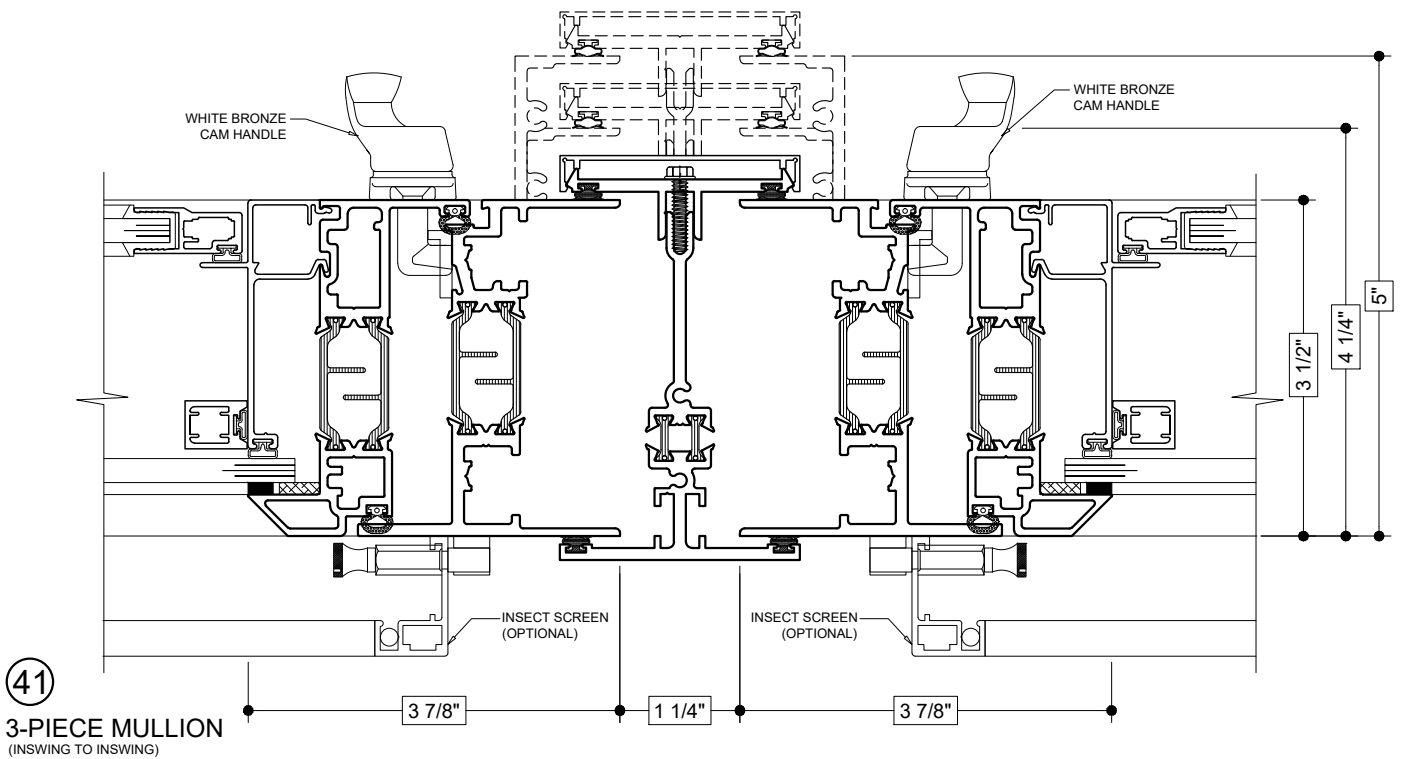
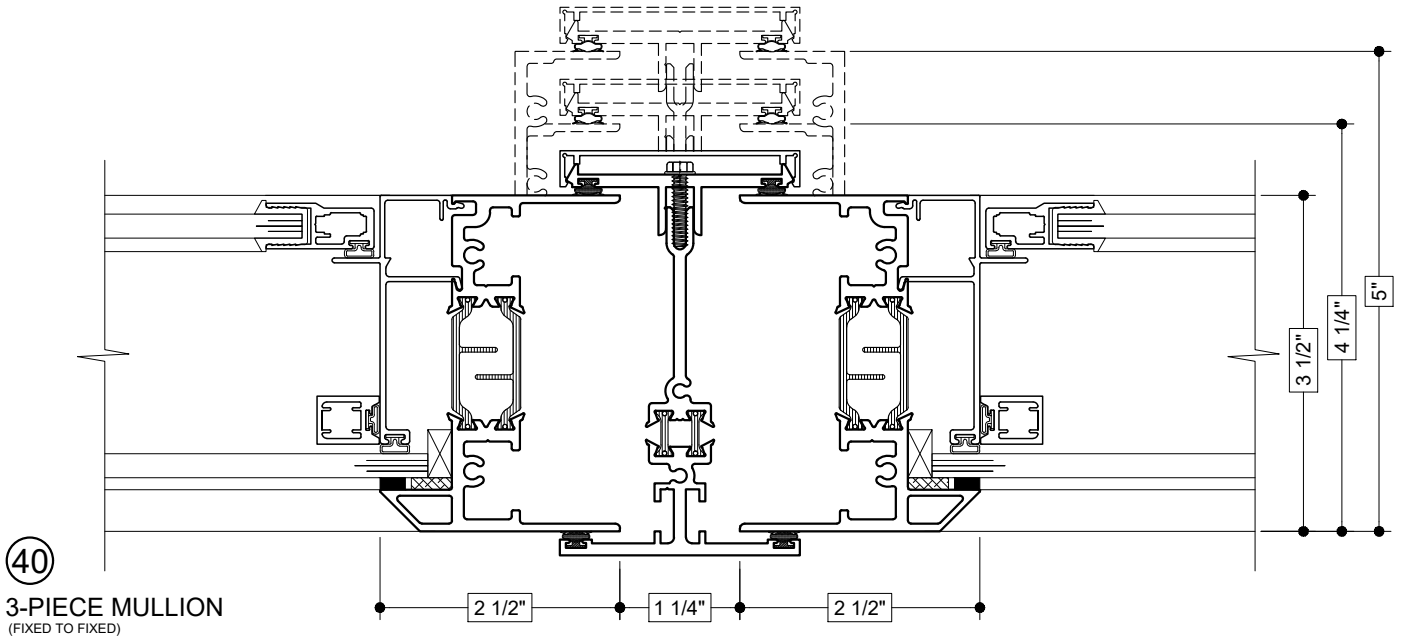
37
RIGHT JAMB
 (OUTSWING)



39
SILL
 (FIXED PANEL)

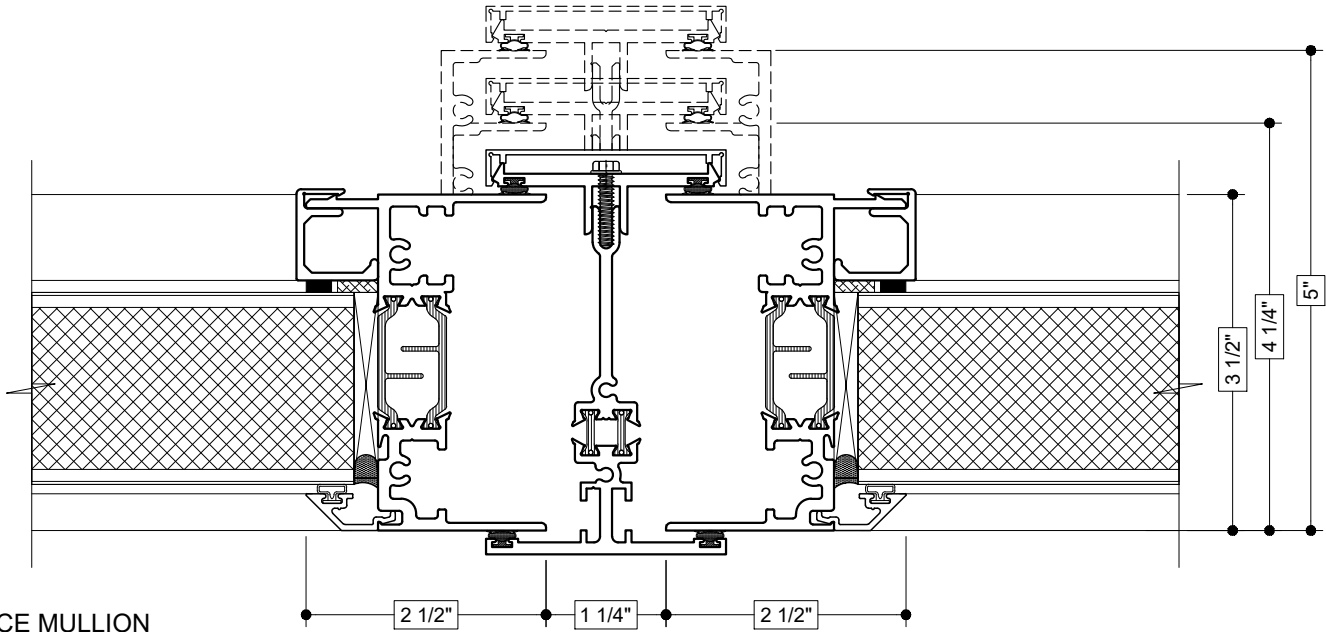
Details shown reflect the most commonly used configurations.
 Contact AWM for additional details and/or assistance.

7/2/19

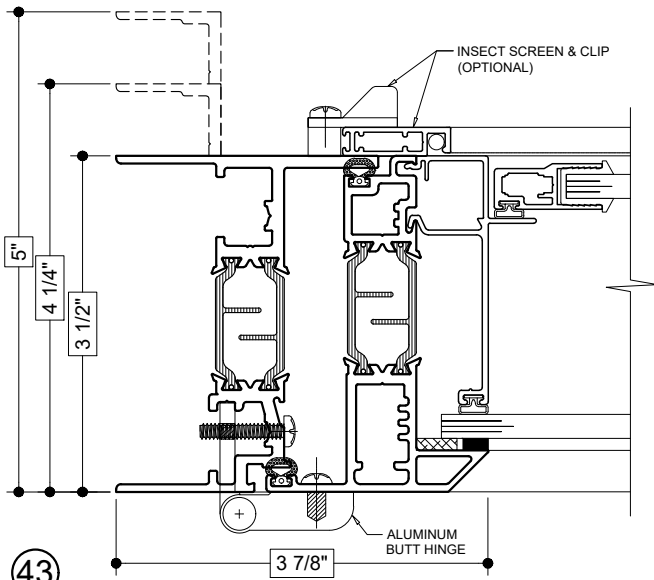


Details shown reflect the most commonly used configurations.
 Contact AWM for additional details and/or assistance.

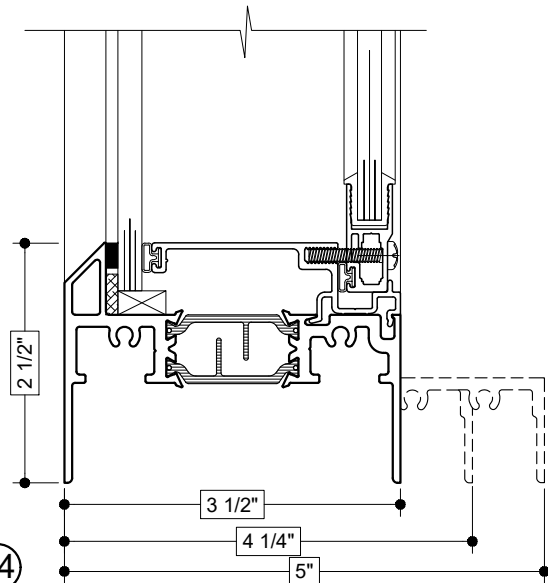
7/2/19



42
3-PIECE MULLION
 (FIXED PANEL TO FIXED PANEL)



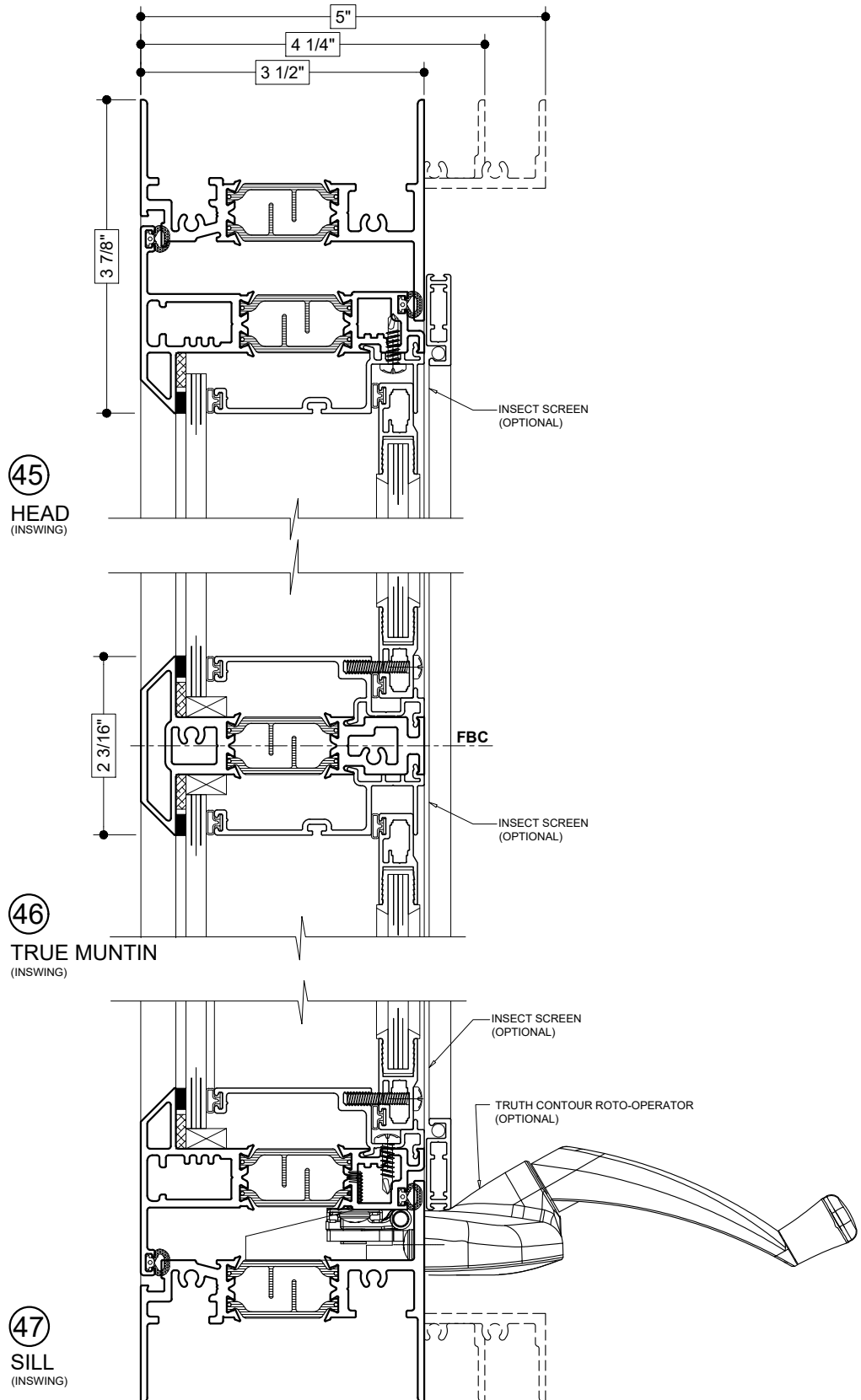
43
LEFT JAMB
 (OUTSWING)



44
SILL
 (INSWING)

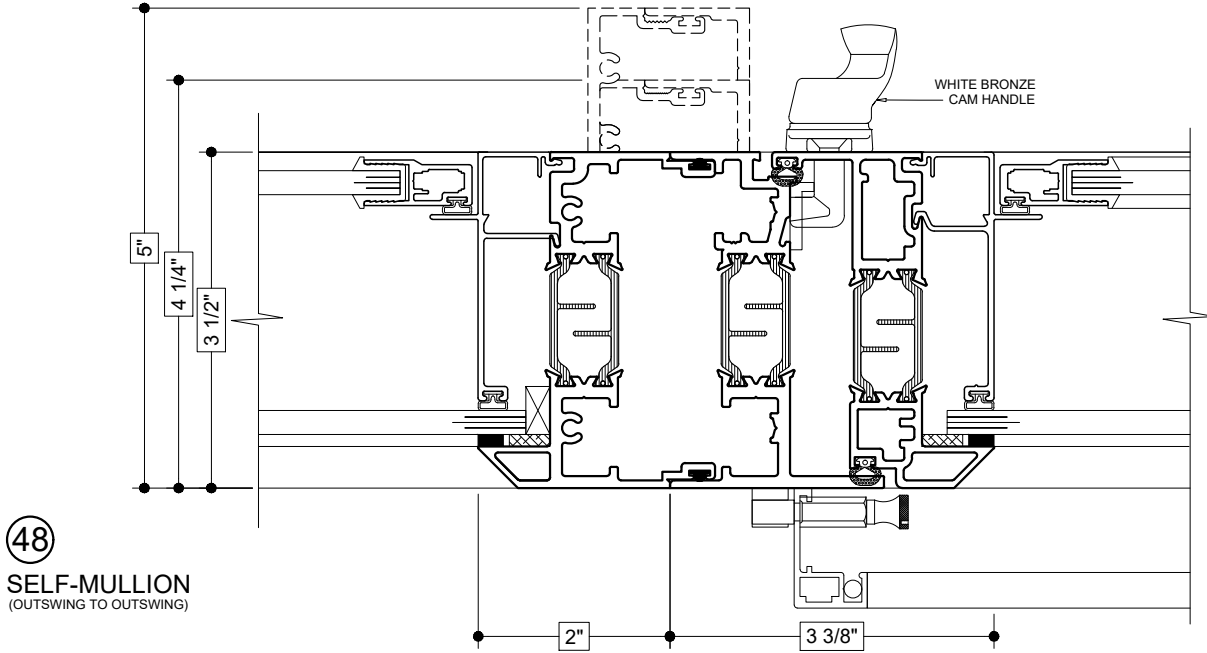
Details shown reflect the most commonly used configurations.
 Contact AWM for additional details and/or assistance.

7/2/19

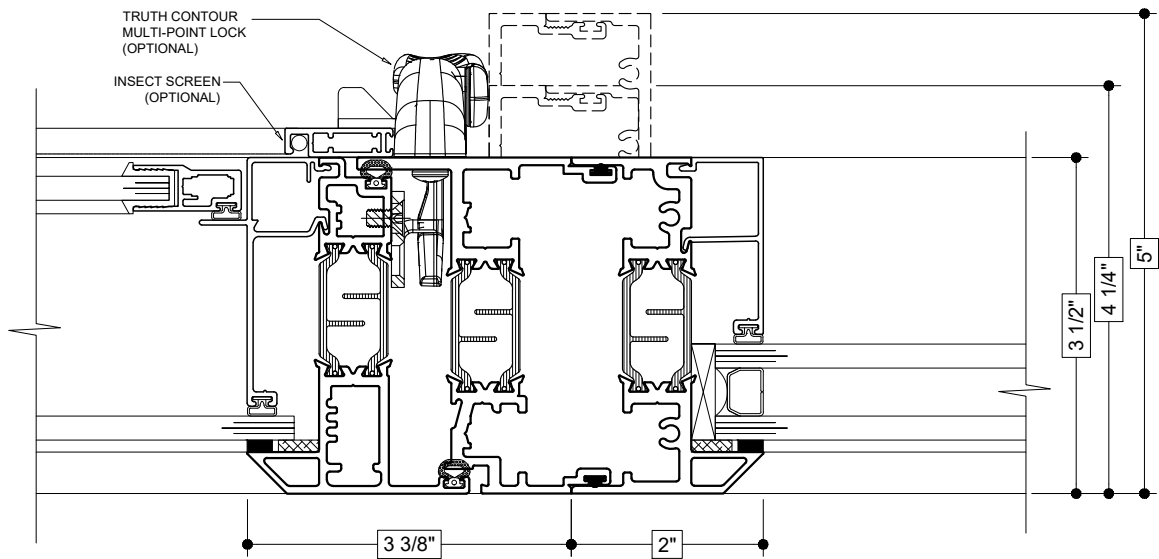


Details shown reflect the most commonly used configurations.
 Contact AWM for additional details and/or assistance.

7/2/19



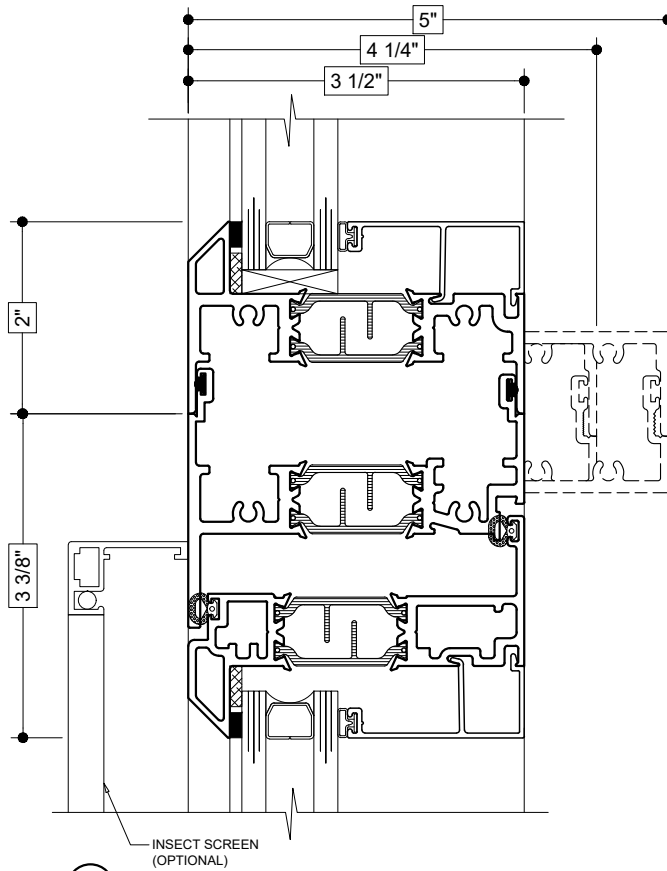
48
SELF-MULLION
 (OUTSWING TO OUTSWING)



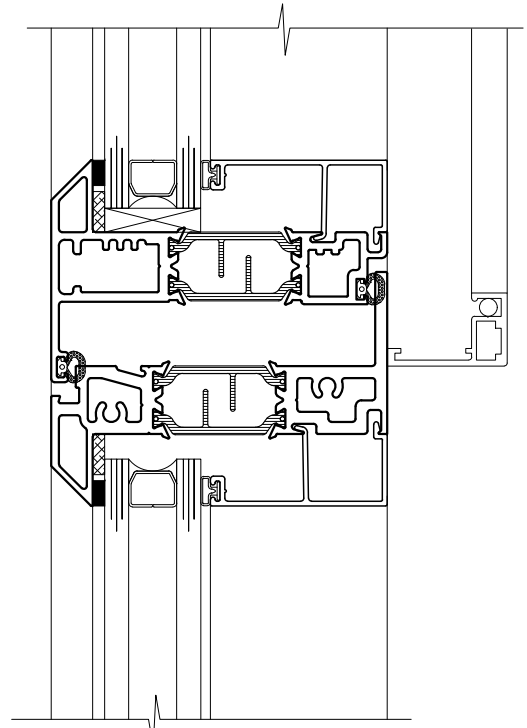
49
SELF-MULLION
 (FIXED TO OUTSWING)

Details shown reflect the most commonly used configurations.
 Contact AWM for additional details and/or assistance.

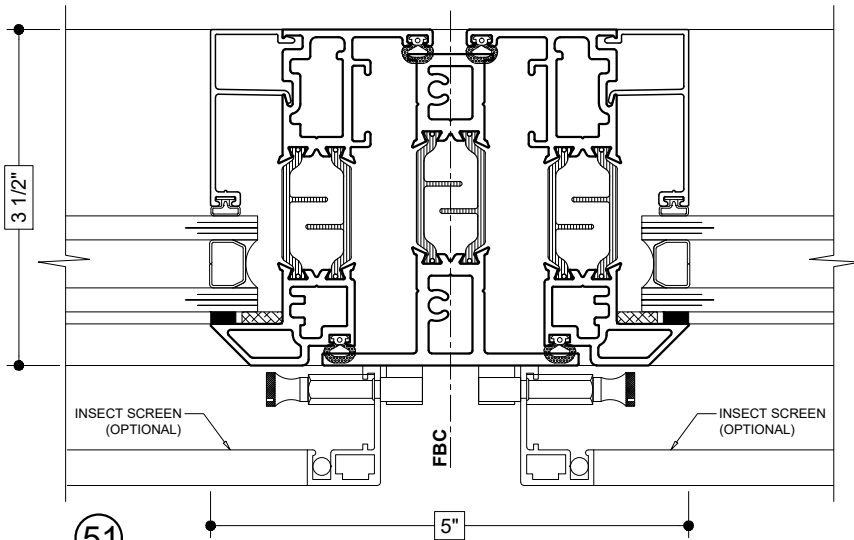
7/2/19



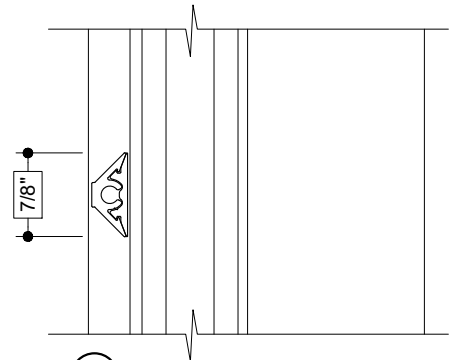
50
SELF-STACK
 (FIXED OVER INSWING)



52
IMPOST
 (INSWING OVER FIXED)



51
IMPOST
 (INSWING TO INSWING)



53
APPLIED MUNTIN
 (TRAPEZOIDAL)

Details shown reflect the most commonly used configurations.
 Contact AWM for additional details and/or assistance.

7/2/19

OPTIONAL 3" EXTERIOR FLANGE

